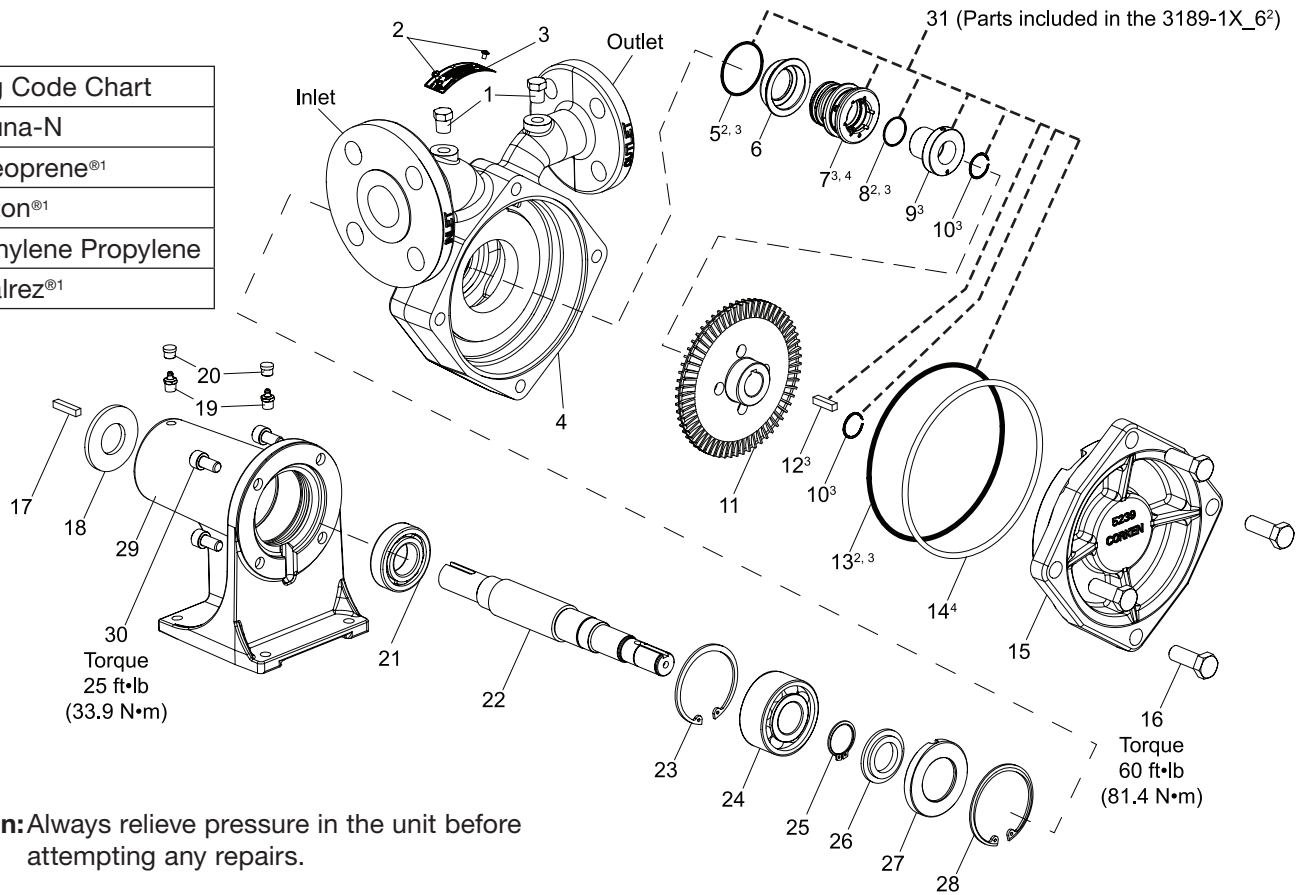


Appendix E—Parts Details for Models 060, 075 and 150 Coro-Flo® Pumps Frame Mount ANSI Flange (FF) and Din Flange (FD)

O-ring Code Chart	
A	Buna-N
B	Neoprene ^{®1}
D	Viton ^{®1}
G	Ethylene Propylene
K	Kalrez ^{®1}



Caution: Always relieve pressure in the unit before attempting any repairs.

No	Part no	Description	Qty
1	3442	1/4" pipe plug	2
2	7012-0065F019E	Nameplate screw	2
3	1914-1	Nameplate	1
4	5238-060	060 Case—ANSI flange (FF)	1
	5238-75	075 Case—ANSI flange (FF)	1
	5238	150 Case—ANSI flange (FF)	1
	5238-061	060 Case—DIN flange (FD)	1
	5238-751	075 Case—DIN flange (FD)	1
	5238-1	150 Case—DIN flange (FD)	1
5	2-133_2,3	Seal housing O-ring	1
6	5244-1X	Seal housing assembly	1
7	Not sold separately ³	Seal sub assembly	1
8	2-018_2,3	Seal sleeve O-ring	1
9	Not sold separately ³	Seal sleeve assembly	1
10	2760-88 ³	7/8" retainer ring	1
11	5240-060	060 Impeller (bronze)	1
	5240-75	075 Impeller (bronze)	1
	5240	150 Impeller (bronze)	1
	5240-061	060 Impeller (stainless steel)	1
	5240-751	075 Impeller (stainless steel)	1
	5240-1	150 Impeller (stainless steel)	1
	5240-062	060 Impeller (steel)	1
	5240-752	075 Impeller (steel)	1
	5240-2	150 Impeller (steel)	1
12	4244 ³	Impeller key	1
13	2-260_2,3	Case O-ring	1
14	5248 ⁴	Case clearance shim	1

No	Part no	Description	Qty
15	5239-060	060-Cover	1
	5239-75	075-Cover	1
	5239	150-Cover	1
16	7301-140MC040A	M14-2 x 40mm hex head bolt	4
17	3226	Shaft key	1
18	3227	Bearing plate	1
19	2158	Grease zerk	2
20	2159	Lubricap	2
21	2759	Single row ball bearing	1
22	5241-1	Shaft	1
23	5000-281	Retainer ring	1
24	2758	Double row ball bearing	1
25	5102-118	Retainer ring	1
26	1006	Grease seal	1
27	1238	Bearing cap	1
28	5002-281	Retainer ring	1
29	1010-3	Mounting frame	1
30	7302-100MC020A	M10-1.5 x 22mm Allen head bolt	4
31	3189-1X_6 ²	Seal assembly	1

¹Registered trademark of the DuPont company

²_ denotes O-ring code

³Included in seal assembly 3189-1X_6²

⁴The case clearance shim only applies to models prior to serial number prefix YU. For a complete explanation of Corcoran's serial number prefix codes, see page A400 (latest version) located in the "Policy and Prices" section of your sales catalog or service manual.