

MANUFACTURED BY PARKER - PGI DIVISION

September 2017

Form FVC102 Rev C

# Installation, Operation and Maintenance Manual For AL369 Quick Connect Ball Valve

**IMPORTANT: KEEP THIS DOCUMENT WITH THE PRODUCT UNTIL IT REACHES THE END USER.**

## **WARNING!**

1. Contact with or inhalation of Liquid Propane (LP) Gas, can cause **SERIOUS INJURY OR DEATH**.
2. Personal Protective Equipment (PPE), safety gloves, goggles and clothing should be worn. For proper handling and storage of Liquefied Petroleum Gas, refer to NFPA Pamphlet 58.
3. To prevent the accidental opening of any valve, never grasp or carry a valve by its Handle.
4. To ensure long term and safe operations, the manufacturer recommends that under normal service conditions this product should be inspected at least once every month and be repaired or replaced as required. (See Inspection Procedure Section).

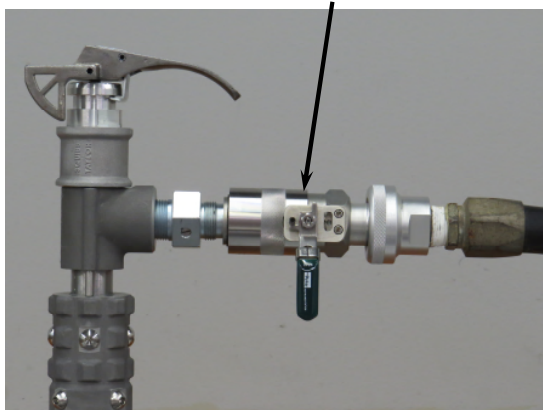
## **Tools Required**

Safety Equipment (i.e. gloves, goggles, and clothing), 12" Adjustable Wrench, 9/16" Open End Wrench, 12" Pipe Wrench and a Flat Blade Screwdriver.

## **WARNING!**

1. **FAILURE TO READ AND UNDERSTAND THE INSTRUCTIONS CONTAINED IN THIS INSTALLATION, OPERATION AND MAINTENANCE MANUAL CAN LEAD TO PROPERTY DAMAGE AND SERIOUS INJURY OR DEATH.** If you have questions about anything contained in this manual or desire additional copies, please call Squibb-Taylor at 1-800-345-8105 and ask for customer service.
2. Before installation or removal of the AL369 Quick Connect Ball Valve, it is recommended that you become familiar with this product and understand the instructions in this IOM.

Valve CLOSED



Valve OPEN

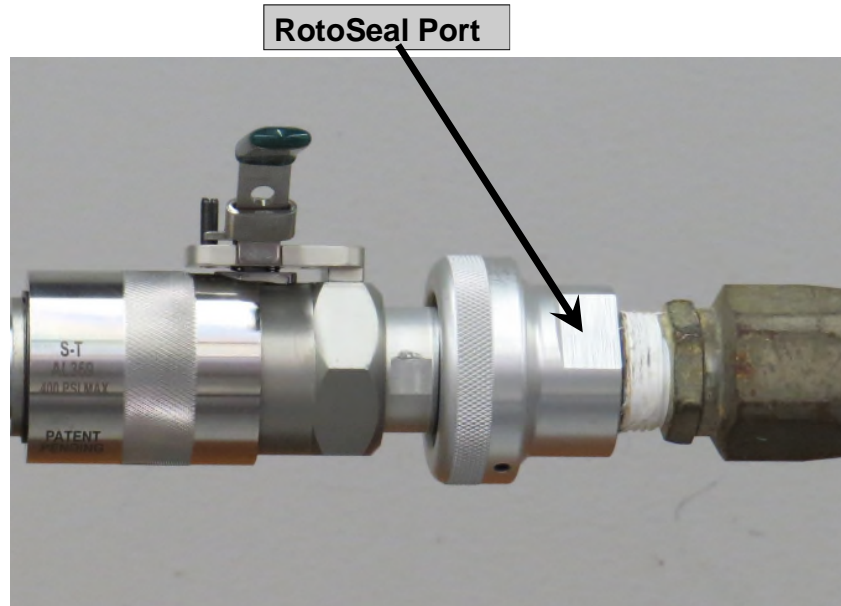


*While this information is presented in good faith and believed to be accurate, Individuals using this literature must exercise their independent judgment in evaluating product selection and determining product appropriateness for their particular purpose, system requirements and certifications. The manufacturer reserves the right to change product designs and specifications without notice.*

## Initial Installation

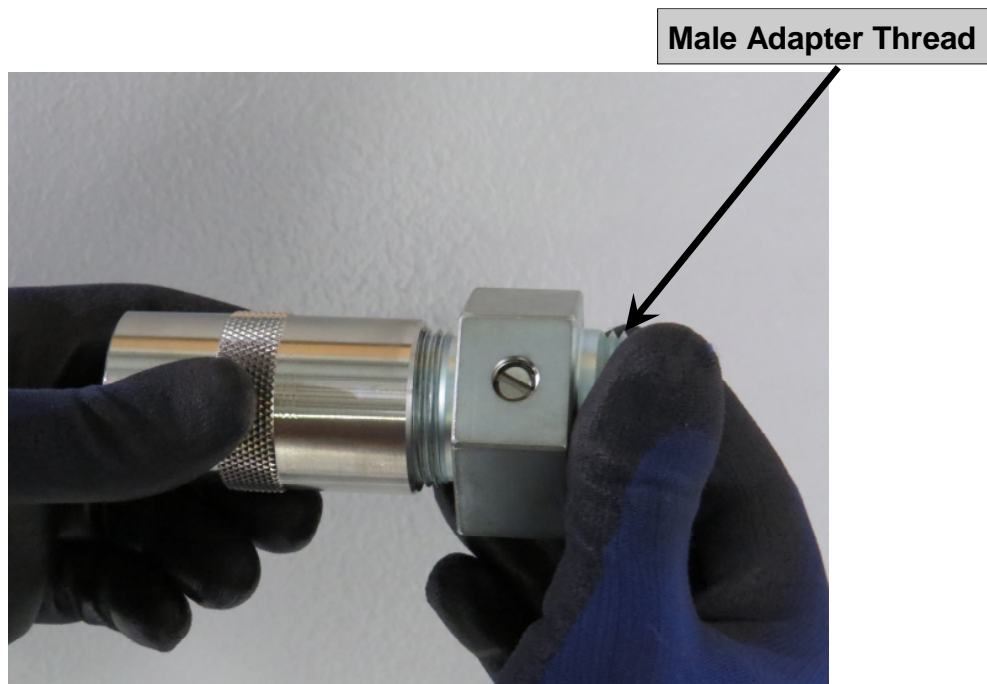
- Step 1: Shutoff all supply valves and bleed the attachment hose of all product.
- Step 2: Open the Hose End Valve and leave it open until installation is complete. Residual liquids in the hose can vaporize and a pressure will build-up in the system if the valve is closed.
- Step 3: Remove the existing Hose End Valve from the end of the hose.
- Step 4: Apply PTFE tape or pipe dope to the male hose thread and screw it securely into the RotoSeal Port (Figure 1) of the AL369 Quick Connect Ball Valve and tighten to 35 ft-lbf.

**Figure 1**



- Step 5: Apply PTFE tape or pipe dope to the Male Adapter (Figure 2) NPT thread and screw it securely to the Hose End Valve and tighten to 35 ft-lbf.

**Figure 2**

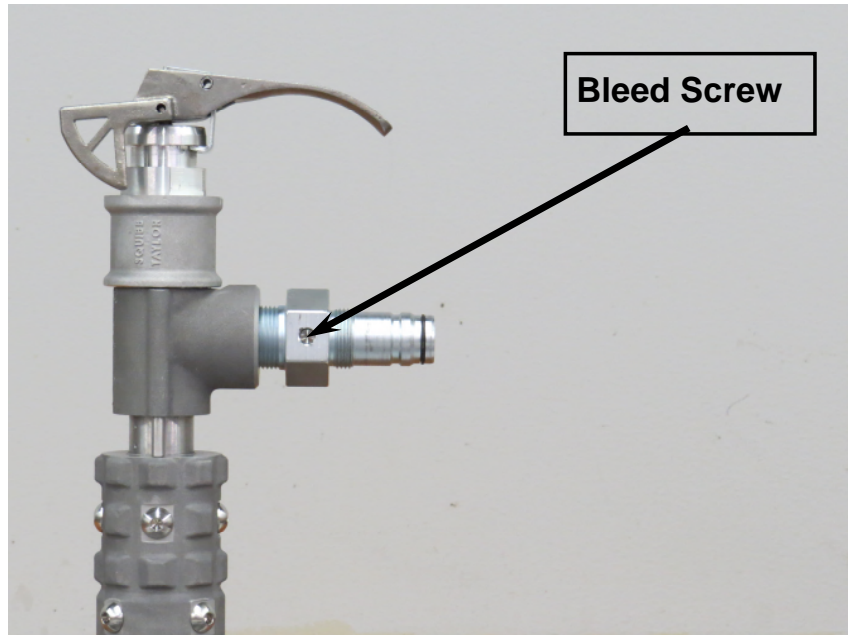


*While this information is presented in good faith and believed to be accurate, Individuals using this literature must exercise their independent judgment in evaluating product selection and determining product appropriateness for their particular purpose, system requirements and certifications. The manufacturer reserves the right to change product designs and specifications without notice.*

**Initial Installation, continued**

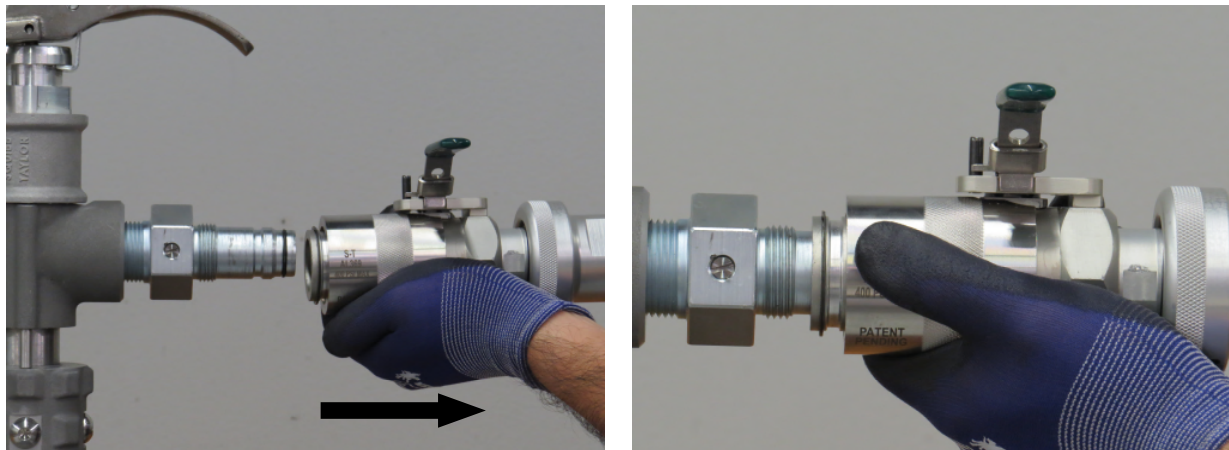
Step 6: Close the Hose End Valve and ensure that the bleed screw in the Male Adapter is fully closed (Figure 3).

**Figure 3**



Step 7: With the AL369 Quick Connect Ball Valve in the closed position, slide the outer sleeve towards the hose and push the AL369 Quick Connect Ball Valve onto the Male Adapter, then release the outer sleeve to lock them together. Pull on the hose to ensure a positive engagement on the Male Adapter. (Figure 4)

**Figure 4**

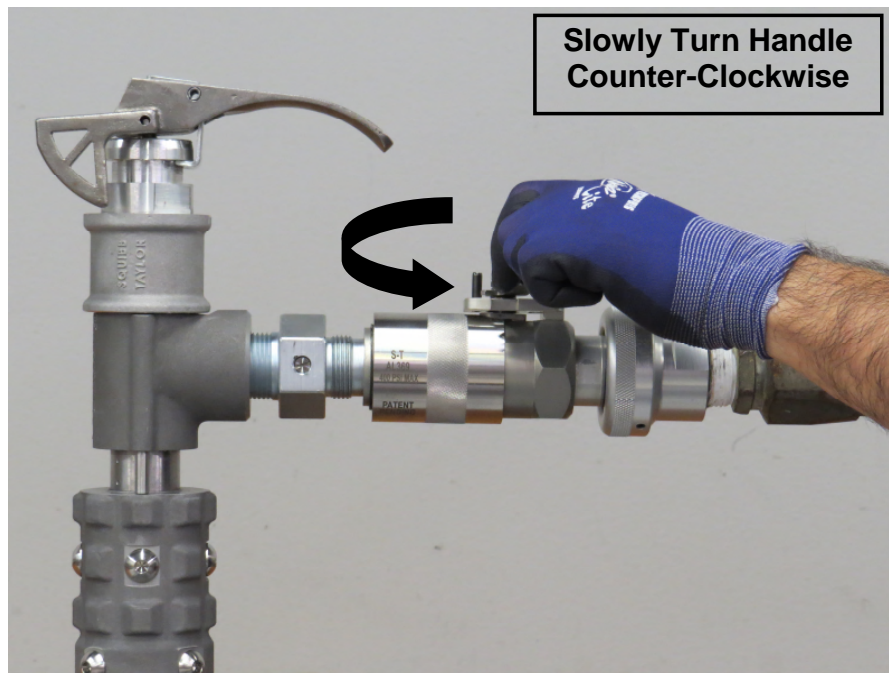


*While this information is presented in good faith and believed to be accurate, Individuals using this literature must exercise their independent judgment in evaluating product selection and determining product appropriateness for their particular purpose, system requirements and certifications. The manufacturer reserves the right to change product designs and specifications without notice.*

## Initial Installation, continued

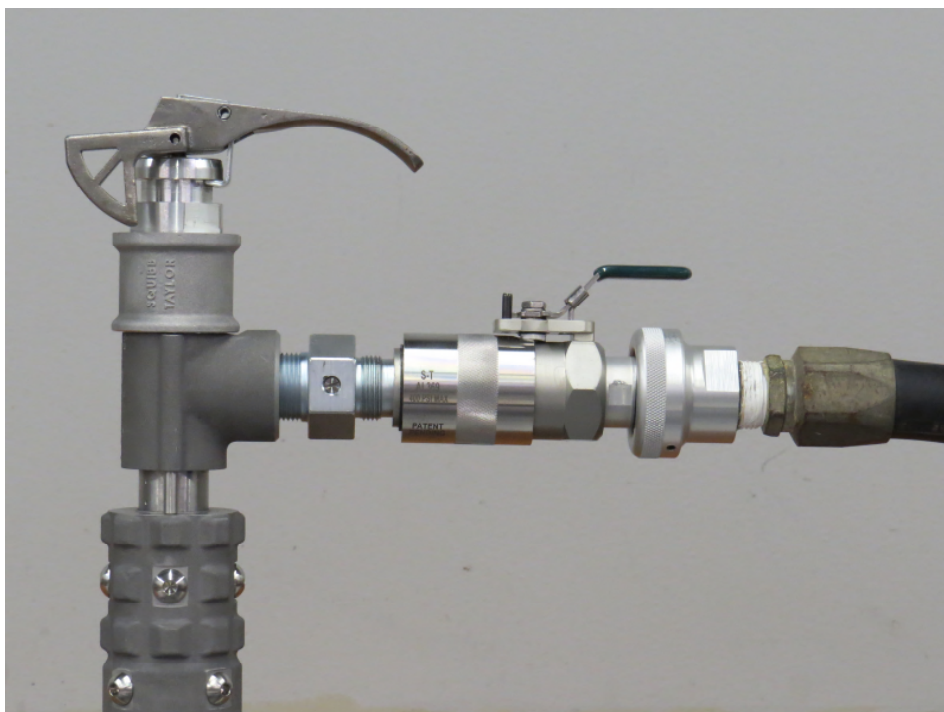
Step 8: Slowly open the AL369 Quick Connect Ball Valve by lifting the locking latch and rotating the handle counter-clockwise, so that it is inline with the hose. (Figure 5)

**Figure 5**



Step 9: As shown in Figure 6 below, the AL369 Quick Connect Ball Valve is fully open, and the Hose End Valve and the Bleeder are both in the closed position.

**Figure 6**



*While this information is presented in good faith and believed to be accurate, Individuals using this literature must exercise their independent judgment in evaluating product selection and determining product appropriateness for their particular purpose, system requirements and certifications. The manufacturer reserves the right to change product designs and specifications without notice.*

## Replacement Procedure

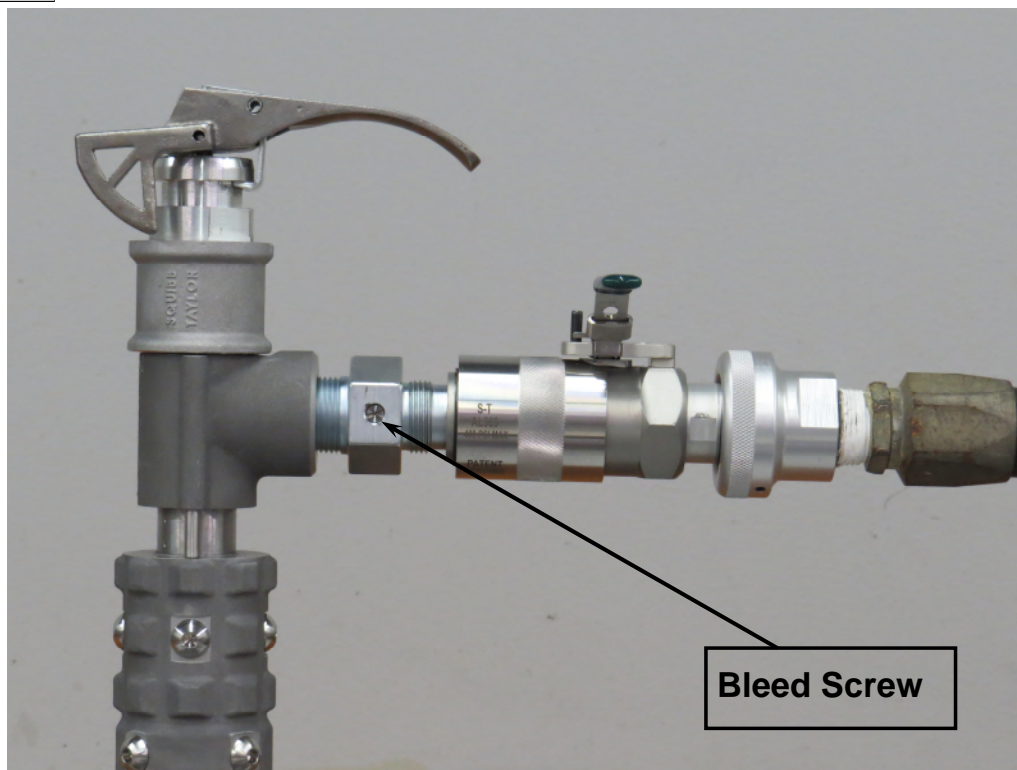
Step 1: Shutoff all supply valves to the hose.

Step 2: Close the AL369 Quick Connect Ball Valve by rotating the handle so that the handle is perpendicular with the hose and is locked in that position (Figure 7).

### WARNING

With the AL369 Quick Connect Ball Valve closed and the Hose End Valve closed, pressure could build between the valves.

Figure 7



### NOTE

Ensure that the Hose End Valve and the AL369 Quick Connect Ball Valve are closed before performing step 3.

Step 3: Locate the bleed screw on the Male Adapter (Figure 7). Slowly unscrew 2 turns and allow all pressure to bleed out between Hose End Valve and AL369 Quick Connect Ball Valve. After the pressure is safely removed you can continue with the following procedure to disconnect the AL369 Quick Connect Ball Valve.

### WARNING

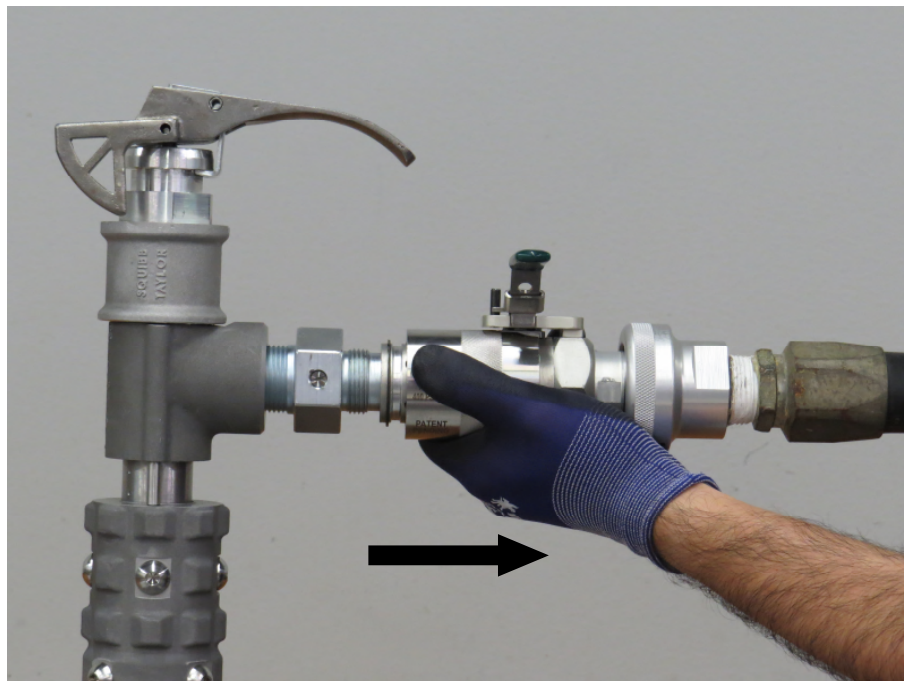
If pressure does not stop coming out of the bleed screw, DO NOT disconnect the AL369 Quick Connect Ball Valve.

*While this information is presented in good faith and believed to be accurate, Individuals using this literature must exercise their independent judgment in evaluating product selection and determining product appropriateness for their particular purpose, system requirements and certifications. The manufacturer reserves the right to change product designs and specifications without notice.*

## Replacement Procedure continued

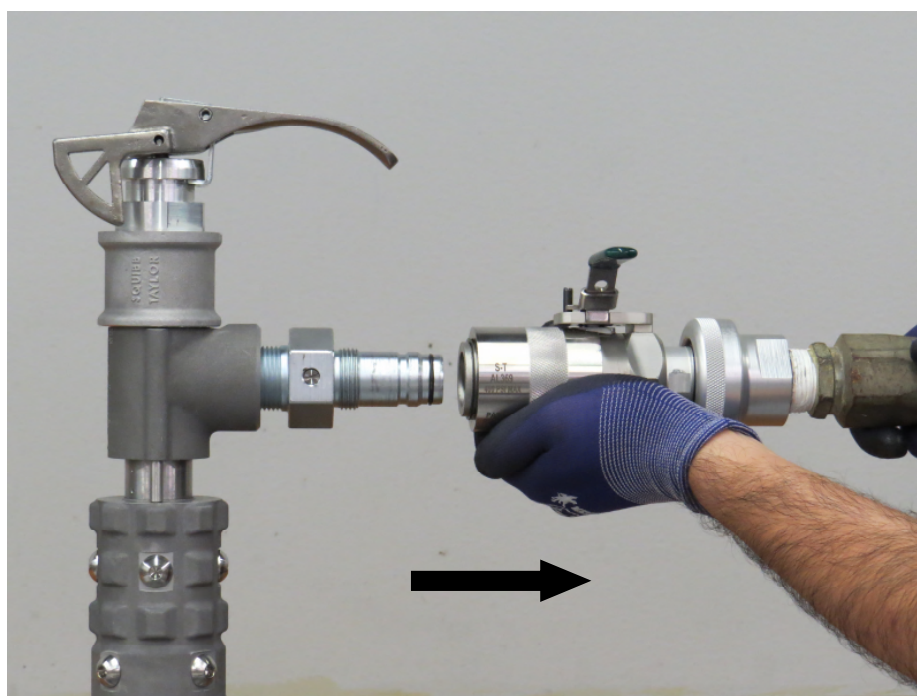
Step 4: Slide the outer sleeve on the AL369 Quick Connect Ball Valve toward the hose, away from the Hose End Valve (Figure 8).

**Figure 8**



Step 5: While holding the outer sleeve back, pull the hose with the AL369 Quick Connect Ball Valve away from the Hose End Valve (Figure 9). The AL369 Quick Connect Ball Valve will separate leaving the Male Adapter with the Hose End Valve.

**Figure 9**

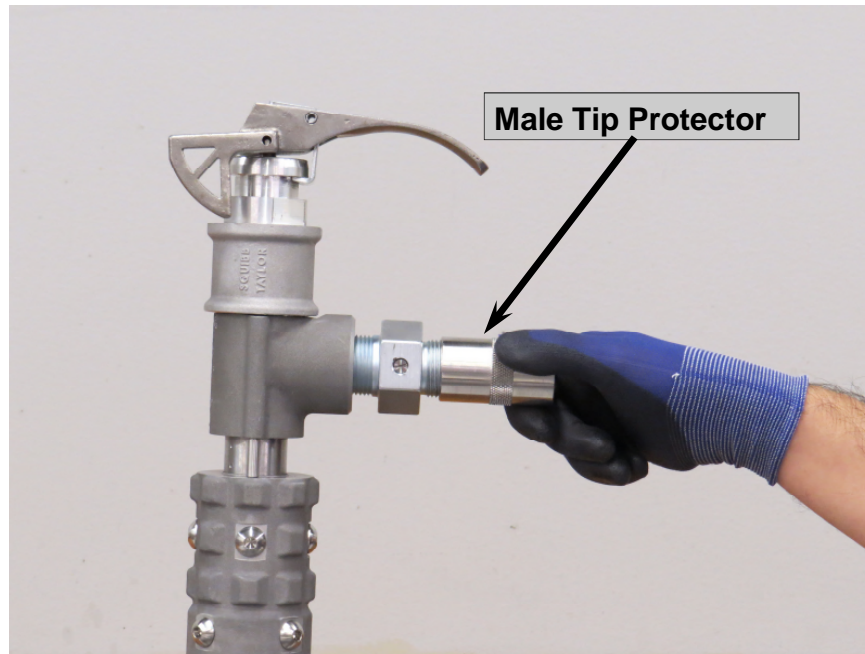


*While this information is presented in good faith and believed to be accurate, Individuals using this literature must exercise their independent judgment in evaluating product selection and determining product appropriateness for their particular purpose, system requirements and certifications. The manufacturer reserves the right to change product designs and specifications without notice.*

## Replacement Procedure, continued

Step 6: Install Male Tip Protector on the Male Adapter in the Hose End Valve before transporting the valve and leaking tank. (Figure 10).

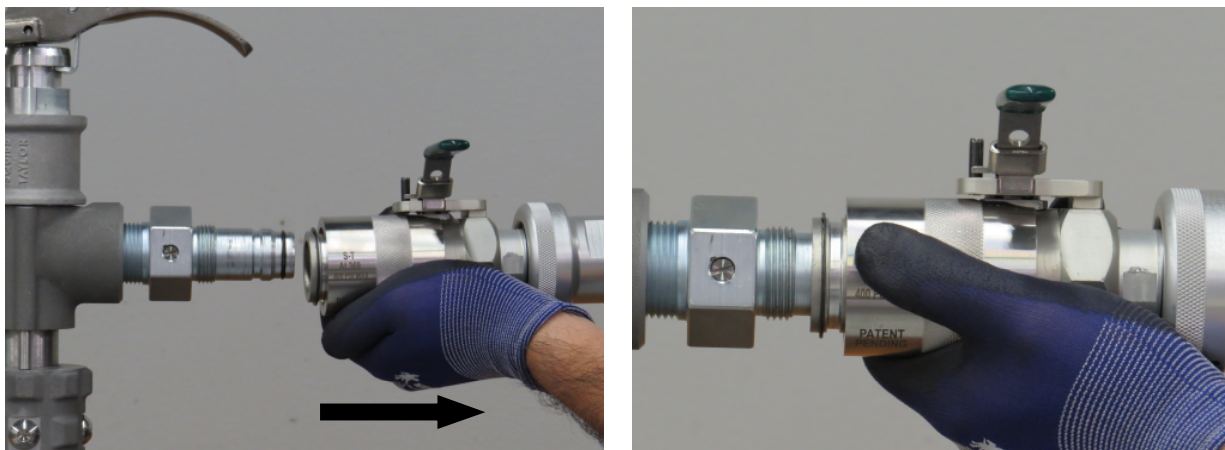
**Figure 10**



Step 7: Prior to installing new Hose End Valve with Male Adapter. Ensure that the bleed screw on the Male Adapter is closed and Hose End Valve is closed.

Step 8: With the AL369 Quick Connect Ball Valve in the closed position, slide the outer sleeve towards the hose and push the AL369 Quick Connect Ball Valve onto the Male Adapter, then release the outer sleeve to lock them together. (Figure 11)

**Figure 11**

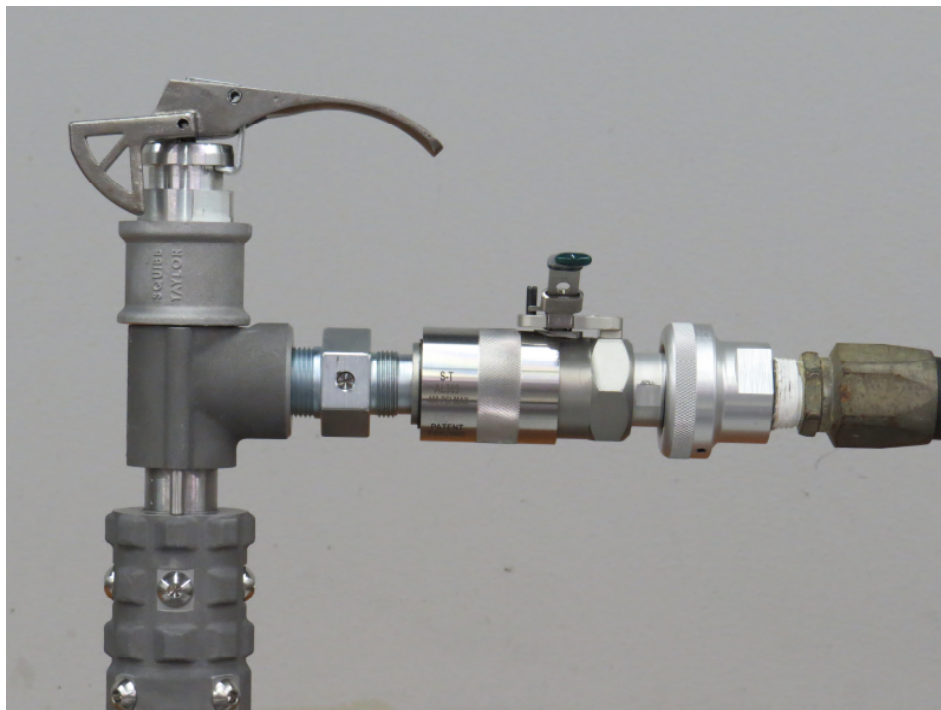


*While this information is presented in good faith and believed to be accurate, Individuals using this literature must exercise their independent judgment in evaluating product selection and determining product appropriateness for their particular purpose, system requirements and certifications. The manufacturer reserves the right to change product designs and specifications without notice.*

## Replacement Procedure, continued

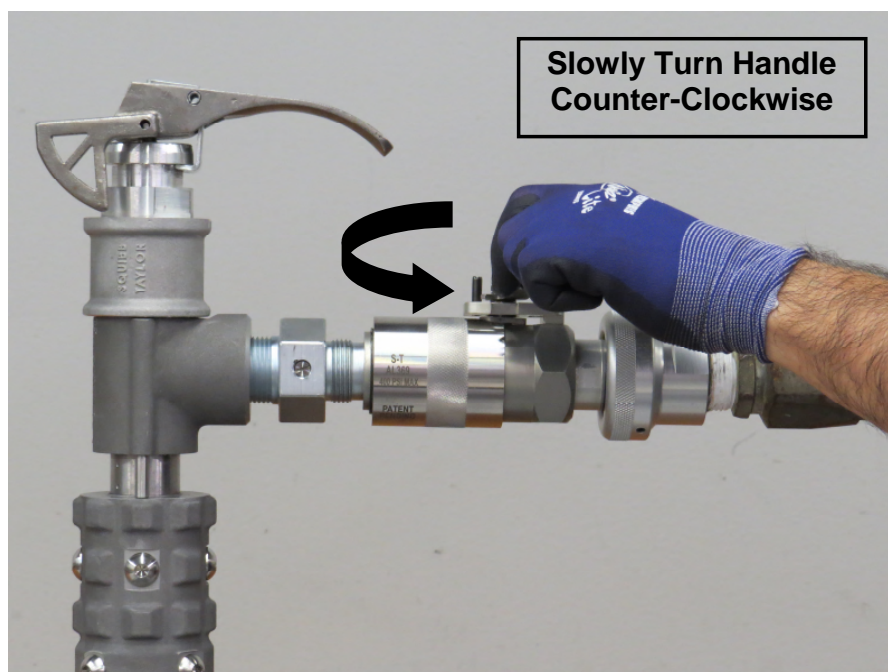
Step 9: As shown in Figure 12 below, the Hose End Valve, the AL369 Quick Connect Ball Valve, and the Bleeder are all in the closed position. Pull on the hose to ensure a positive engagement on the Male Adapter.

**Figure 12**



Step 10: Slowly open the AL369 Quick Connect Ball Valve by lifting the locking latch and rotating the handle counter-clockwise, so that it is inline with the hose. (Figure 13)

**Figure 13**



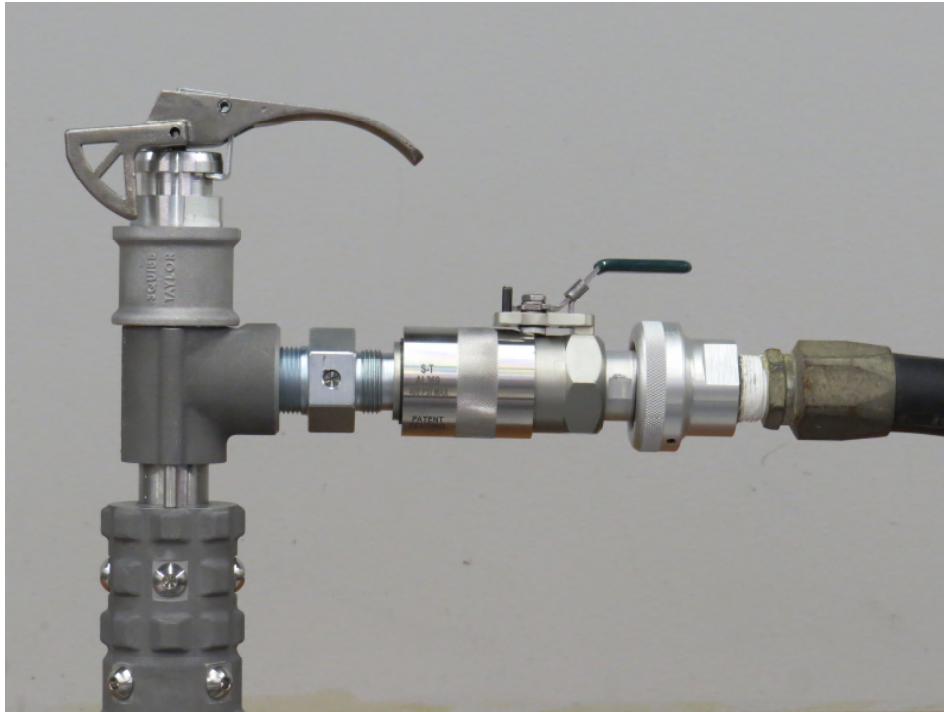
*While this information is presented in good faith and believed to be accurate, Individuals using this literature must exercise their independent judgment in evaluating product selection and determining product appropriateness for their particular purpose, system requirements and certifications. The manufacturer reserves the right to change product designs and specifications without notice.*



## Replacement Procedure, continued

Step 11: As shown in Figure 14 below, the AL369 Quick Connect Ball Valve is fully open, and the Hose End Valve and the Bleeder are both in the closed position.

**Figure 14**



Step 12: Pressurize the system and check for leaks before proceeding back to work.

## Inspection Procedure

- Step 1: While utilizing all appropriate safety equipment, follow Steps 1-5 of the Replacement Procedure Section.
- Step 2: Perform the following inspections:
1. Visually inspect for leaks around the handle stem.
  2. Visually inspect for leaks from the end of the AL369 Quick Connect Ball Valve.
  3. Manually check for smooth operation of the outer sleeve and balls to allow for a smooth connection and disconnect from the Male Adapter.

## WARNING

**DO NOT** turn the handle of the AL369 Quick Connect Ball Valve to the open position while it is disconnected from the Male Adapter and the Hose End Valve.

Step 3: After all inspections are complete, reconnect the AL369 Quick Connect Ball Valve by following Steps 8-12 of the Replacement Procedure Section.

*While this information is presented in good faith and believed to be accurate, Individuals using this literature must exercise their independent judgment in evaluating product selection and determining product appropriateness for their particular purpose, system requirements and certifications. The manufacturer reserves the right to change product designs and specifications without notice.*

## Spare Parts List

Description	Part Number
Male Adapter	369-1300
Male Adapter O-ring	GA-C60-504-R2
RotoSeal Half Repair Kit	109-0022
Handle	SW4/6-HANDLE-LOCKING
Male Tip Protector	369-5007

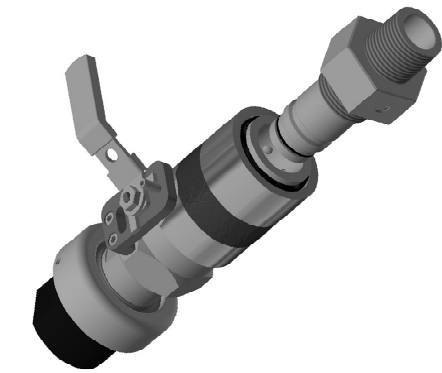
## User Safety Responsibility Statement for All Parker Products

FAILURE OR IMPROPER SELECTION OR IMPROPER USE OF THE PRODUCTS DESCRIBED HEREIN OR RELATED ITEMS CAN CAUSE DEATH, PERSONAL INJURY AND PROPERTY DAMAGE.

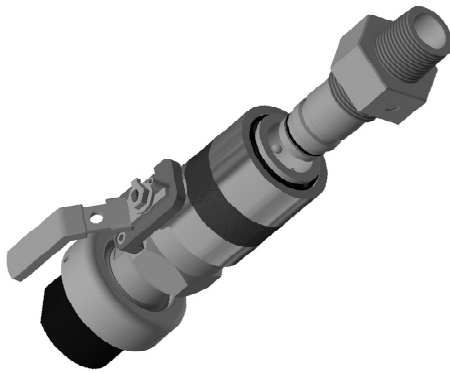
- This document and other information from Parker-Hannifin Corporation, its subsidiaries and authorized distributors provide product or system options for further investigation by users having technical expertise.
- The user, through its own analysis and testing, is solely responsible for making the final selection of the system and components and assuring that all performance, endurance, maintenance, safety and warning requirements of the application are met. The user must analyze all aspects of the application, follow applicable industry standards, and follow the information concerning the product in the current product catalog and in any other materials provided from Parker or its subsidiaries or authorized distributors.

To the extent that Parker or its subsidiaries or authorized distributors provide component or system options based upon data or specifications provided by the user, the user is responsible for determining that such data and specifications are suitable and sufficient for all applications and reasonably foreseeable uses of the components or systems.

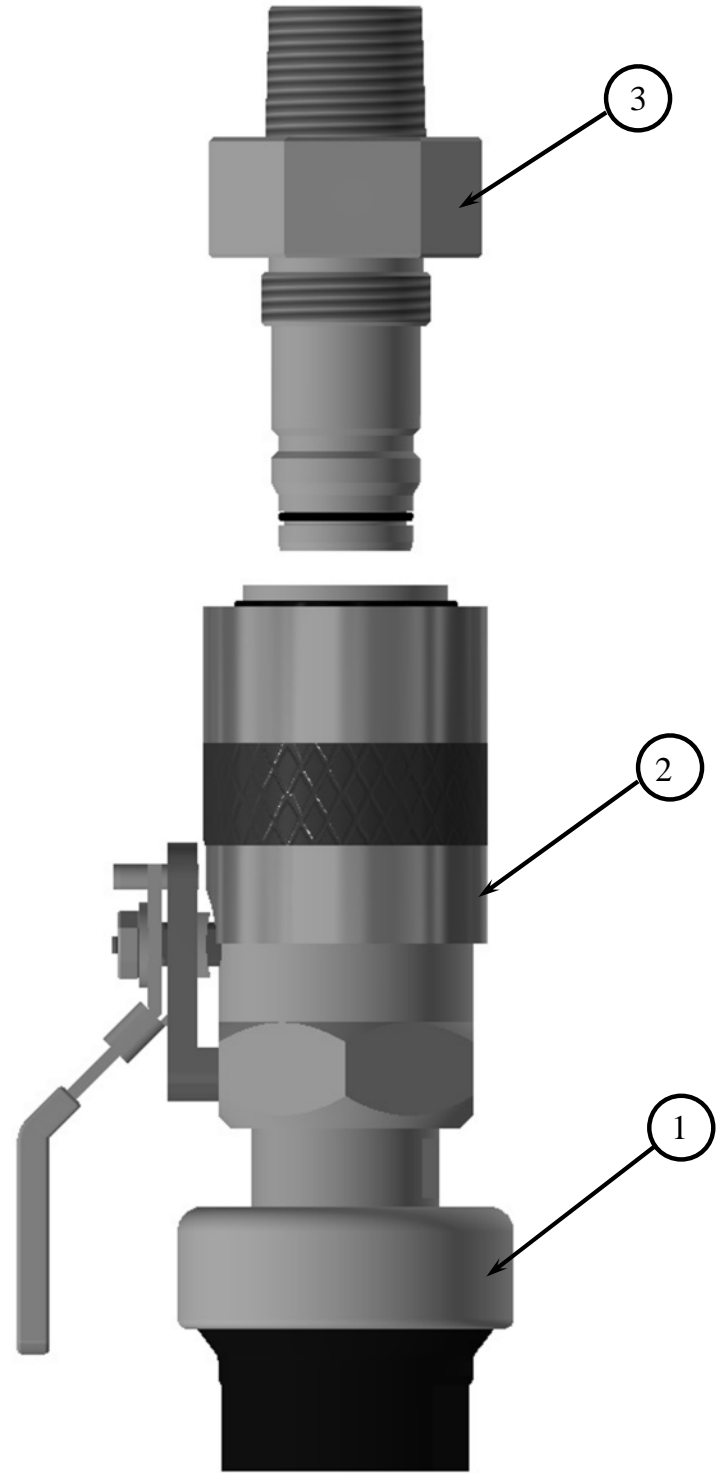
*While this information is presented in good faith and believed to be accurate, Individuals using this literature must exercise their independent judgment in evaluating product selection and determining product appropriateness for their particular purpose, system requirements and certifications. The manufacturer reserves the right to change product designs and specifications without notice.*



**FIGURE 2 CLOSED POSITION**



**FIGURE 1 OPEN POSITION**



ITEM NO.	DESCRIPTION	QTY
1	1" ROTA SEAL HALF	1
2	1" BALL VALVE HALF	1
3	MALE ADAPTER	1

*While this information is presented in good faith and believed to be accurate, Individuals using this literature must exercise their independent judgment in evaluating product selection and determining product appropriateness for their particular purpose, system requirements and certifications. The manufacturer reserves the right to change product designs and specifications without notice.*