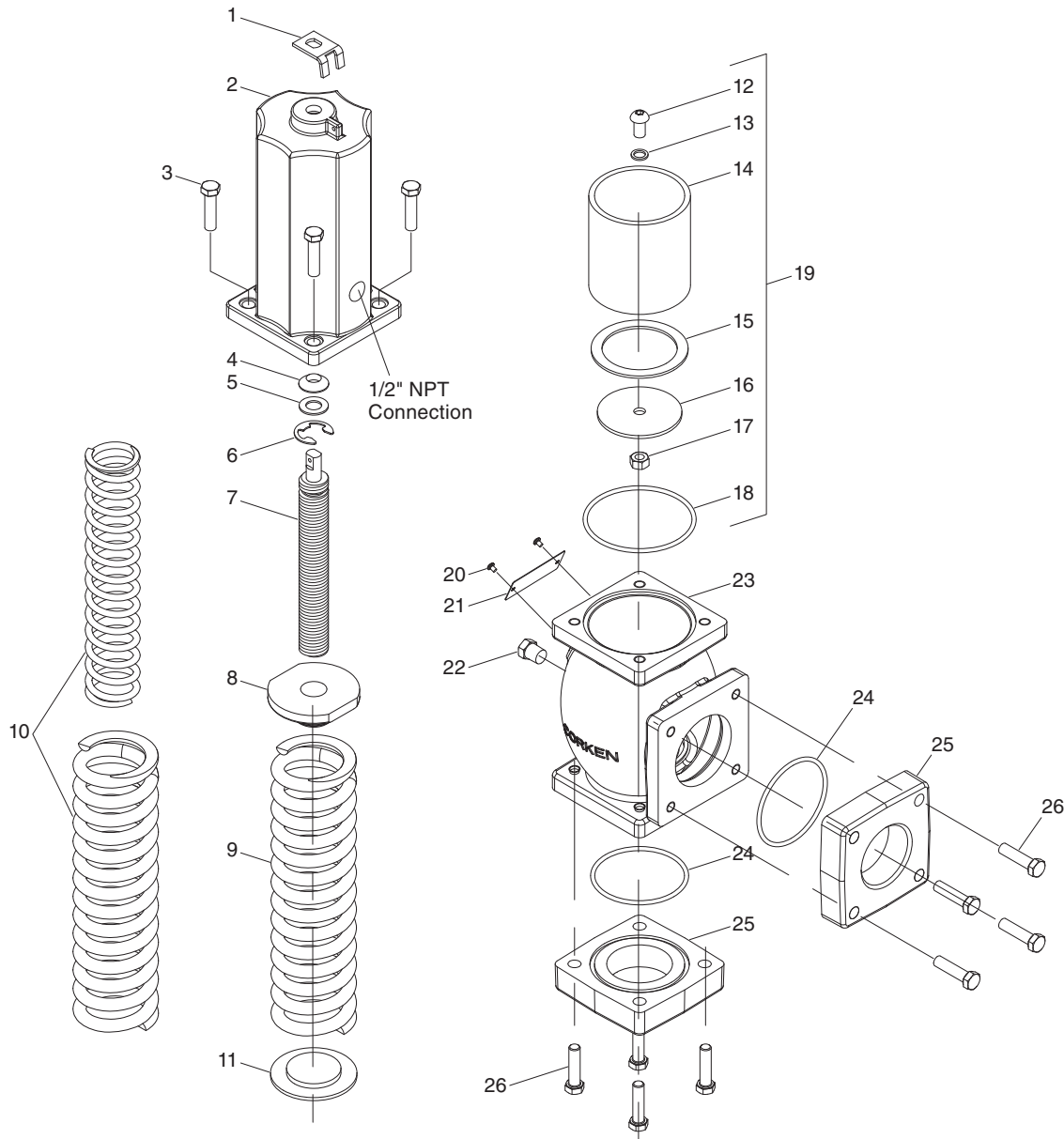


Appendix E—Parts Details for Models B177-2 and B177-2.5



O-ring Code	
A	Buna-N
B	Neoprene ^{®a}
D	Viton ^{®a}
E	PTFE

Ref. No.	Part No.	Description	Qty
1	2080	Lock	1
2	1698	Bonnet	1
3	7002-037NC125A	Socket head - 3/8-16 X 1-1/4", grade 8	4
4	1887	Stem seal	1
5	1789	Stem washer	1
6	5133-87	Retainer ring	1
7	1702	Adjusting stem	1
8	1701	Spring seat	1
9.	1783	Spring (10 to 40 psi)	1
	1785	Spring (30 to 80 psi)	1
	1786	Spring (80 to 110 psi)	1
10.	1786-1	Spring (100 to 125 psi)	1
11.	1780	Spring platform	1
12.	1872	Plunger bolt	1
13.	2732	Center headbolt gasket - steel	1
14.	1699	Plunger	1

Ref. No.	Part No.	Description	Qty
15.	1700	Seat - PTFE	1
16.	1703	Retainer plate	1
17.	1873	Locknut	1
18.	2-238_1	O-ring	1
19.	1699-X	Plunger assembly	1
20.	7012-006SF019E	Pan head Phillip 6-32 X3/16"	2
21.	1833	Nameplate	1
22.	3442	Pipe plug - 1/4 NPT	1
23.	1697	Body - B177-2 & B177-2.5	1
24.	2-234_	O-ring - Buna N	2
25.	7001-037NC150A	Hex head - 3/8-16 X 1-1/2", gr L7	8
26.	1172-2	Flange - 2" NPT	2
	1172-2S	Flange - 2" Weld	2
	1172-2.5	Flange - 2.5" NPT	2
	1172-2.5S	Flange - 2.5" Weld	2

^aRegistered trademark of the DuPont company.

^b_ denotes O-ring code. See chart above.