

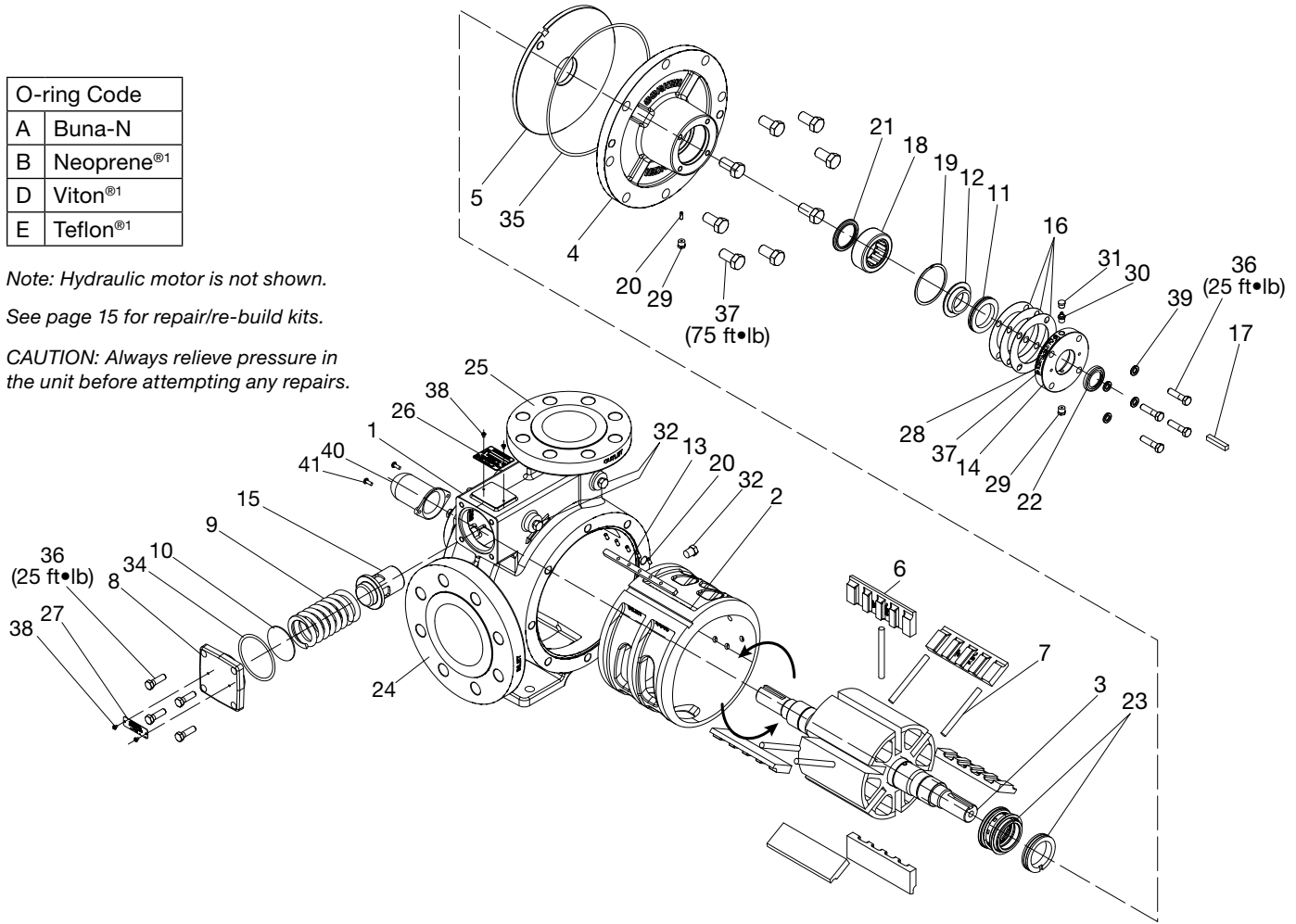
Appendix E—Parts Details for Model Z4500

O-ring Code	
A	Buna-N
B	Neoprene ^{®1}
D	Viton ^{®1}
E	Teflon ^{®1}

Note: Hydraulic motor is not shown.

See page 15 for repair/re-build kits.

CAUTION: Always relieve pressure in the unit before attempting any repairs.



Ref. No.	Part No.	Description	Qty
1.	5522	Case	1
2.	4443	Cam	1
3.	4444-X2R	Rotor-shaft assembly	1
4.	4445	Head	2
5.	4446	Sideplate	2
6.	4448	Vane ³	6
7.	4449-X	Vane driver	5
8.	4450	Relief valve cap	1
9.	4451	Relief valve spring	1
10.	4452	Shim	1
11.	4453	Thrust bearing assembly	2
12.	4454	Bearing race mounting ring	2
13.	4455	Cam key	1
14.	4456	Bearing cap	2
15.	4457	Relief valve	1
16.	4458	Bearing cap shim (.002) red	As req.
	4458-1	Bearing cap shim (.010) brown	
	4458-2	Bearing cap shim (.020) yellow	
17.	4459	Shaft key—5/16 x 1-3/4	1
18.	4460-X	Roller bearing	2

Ref. No.	Part No.	Description	Qty
19.	2760-283	Retainer ring	2
20.	3253	Cam key pin	5
21.	4462	Grease seal	2
22.	4463	Grease seal	2
23.	4464-X_2	Mechanical seal assembly ²	2
24.	—	Inlet flange—4" ANSI	1
25.	—	Outlet flange—3" ANSI	2
26.	2649	Nameplate	1
27.	4248	Relief valve nameplate	1
28.	1359	Lubrication instruction plate	2
29.	1343	1/8 NPT relief fitting	4
30.	2158	1/8 NPT grease zerk	2
31.	2159	Lubricap	2
32.	3442	1/4 NPT pipe plug	2
33.	2-231_	O-ring—discharge flange ²	2
34.	2-234_	O-ring—auxiliary inlet flange ²	1
35.	2-270_	O-ring—case ²	2
36.	7001-037NC150A	Bolt—hexagon head	24
37.	7001-062NC125A	Bolt—hexagon head	16
38.	7012-006SF019E	Screw	8
39.	7206-037A	Lockwasher	8
40.	4985	Shaft cover	1
41.	7012-010SF050E	Screw	2

¹Registered trademarks of the DuPont company.

² _ denotes o-ring code. See chart above.

³Slots in vanes must face TOWARDS the direction of rotation