



Full Internal Pressure Relief Valves



MEVS-UVE445A Series

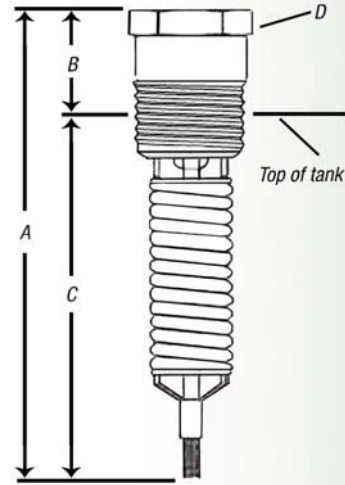


Fig. 1

Dimensions (Approx.) - see Fig. 1

A	B	C	D Hex
5-9/16"	1-3/32"	3-15/32"	1-3/8"



FEATURES

- Used as pressure relief device on larger ASME engine fuel containers and recreational vehicle containers
- Use MEVS-PVE445AT on multiport 420-lb. DOT containers
- Protective cap MEPS-UEP16 included
- Supplied with Everseal™ pre-applied thread sealant

Part No.	STD Setting (PSIG)	Container Connection	Installation Hex	Flow Capacity SCFM/Air ** UL @ 120% Set Pressure	Tank Surface Area (Sq. Ft.)	Pipeaway Adapter
MEVS-UVE445AM/250	250	1" MNPT	1-1/16"	987	35	MEPS-445-21
MEVS-PVE445AT/375*	375	1" MNPT	1-1/16"	1625	64	MEPS-445-21

* MEVS-445AT is classified by Underwriters Laboratories Inc. in accordance with CGA Pamphlet S-1.1.
 ** Flow rates are shown as bare relief valves
 NOTE: Size relief capacity per NFPA58, table 5.7.2.6