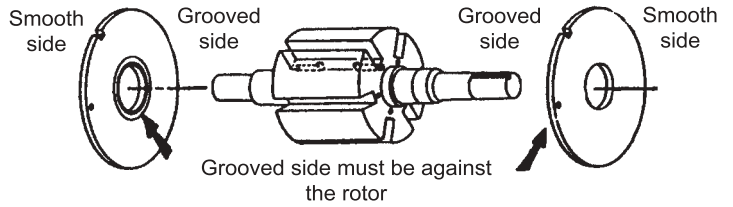


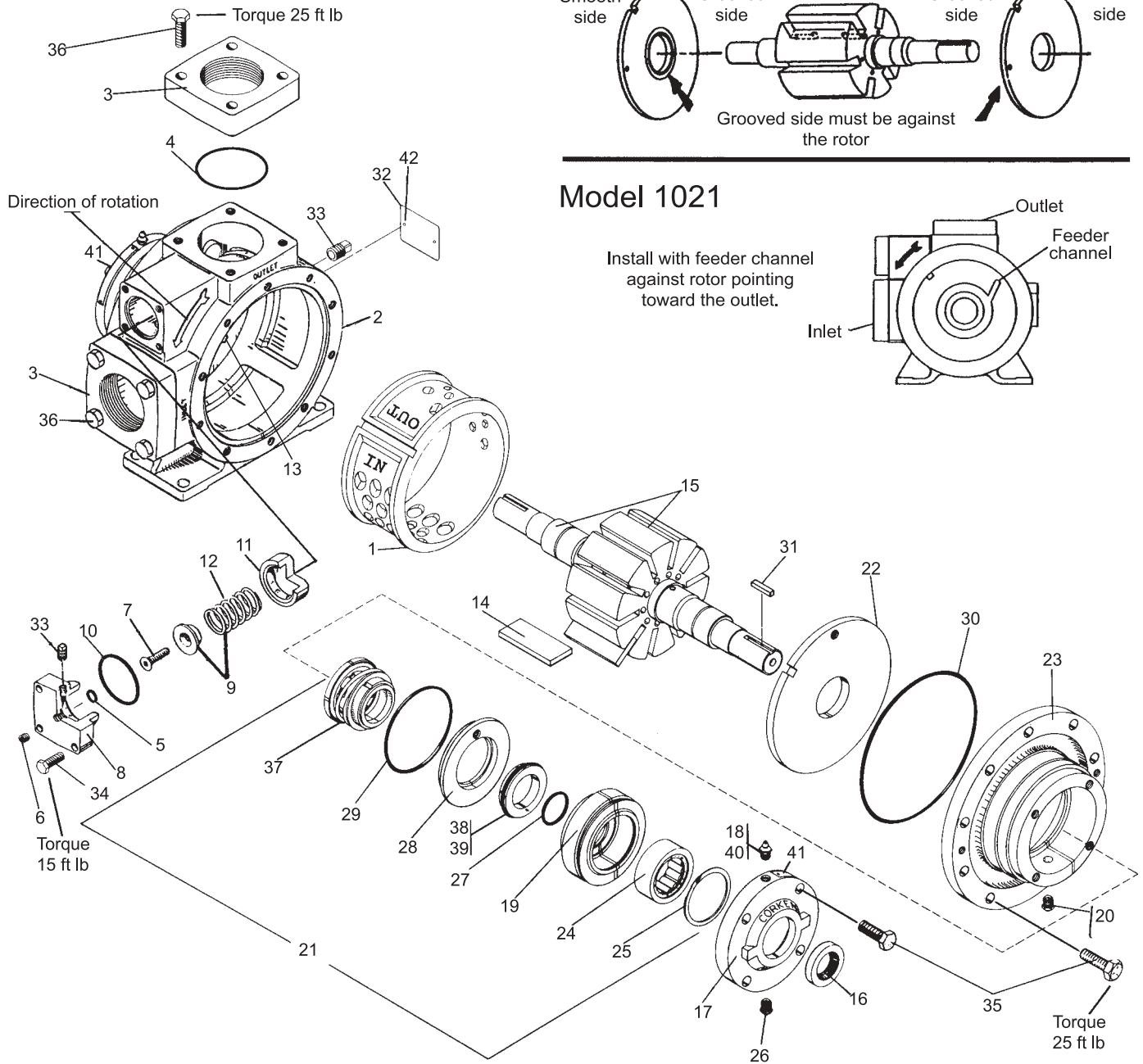
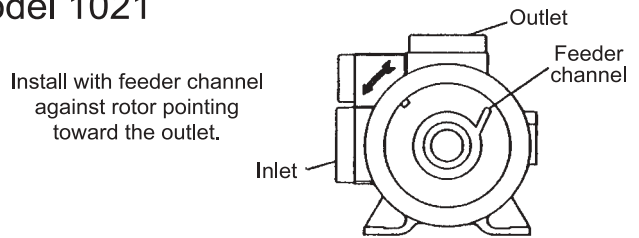
Parts Details For Stationary Coro-Vane® Pumps Models 521 and 1021

CAUTION: Always relieve pressure in the unit before attempting any repairs.

Model 521



Model 1021



Parts Details For Stationary Coro-Vane® Pumps Models 521 and 1021

Ref. No.	Part No.	Description	Qty
1	1162-2	Cam (521)	1
	1201-2	Cam (1021)	1
2	2832	Case (521)	1
	2841	Case (1021)	1
3	1172-2.5 ³	2.5" Flange (521)	1
	1172-2 ³	2" Flange (521)	1
	1206-3 ⁴	3" Flange (1021)	2
4	2-234 ₂	Flange O-ring (521)	2
	2-245 ₂	Flange O-ring 3" (1021)	2
	2-249 ₂	Flange O-ring 4" (1021)	2
5	2-112 ₂	Adjusting screw O-ring	1
6	2590	Flush seal plug 1/8" NPT	1
7	2252	Relief valve adjusting screw	1
8	1174	Valve cap (521)	1
	1207	Valve cap (1021)	1
9	1242-X	Relief valve spring & guide (521)	1
	1227	Relief valve spring guide (1021)	1
10	2-224 ₂	Relief valve cap O-ring (521)	1
	2-228 ₂	Relief valve cap O-ring (1021)	1
11	1241	Relief valve (521)	1
	1224	Relief valve (1021)	1
12	1242	Relief valve spring (521)	1
	1226	Relief valve spring (1021)	1
13	1170	Cam key (521)	1
	1309	Came key (1021)	1
14	1168-7	Blade (521)	10
	1308-9	Blade (1021)	10
15	1166-1X1R	Rotor & shaft assembly (521)	1
	1208-1X1R	Rotor & shaft assembly (1021)	1
16	1358	Grease seal	2
17	1164-1	Bearing cap	2
18	2158	Grease zerk 1/8" NPT	2
19	1769	Bearing housing	2
20	1343	Relief fitting (seal vent)	2
21	1769-X _{1,2}	Seal assembly	2
	1769-XR _{1,2}	Seal assembly—replacement	2
22	1163-2 ⁸	Sideplate (521)	2
	1209-1 ⁸	Sideplate (1021)	2
23	1161-4	Head (521)	2
	1205-4	Head (1021)	2
24	2754-X	Roller bearing—complete	2
	2755	Bearing inner race	2
	2754	Bearing outer race	2
25	2760-244	Retainer ring	2
26	1343	Relief fitting (grease)	2
27	2-128 ₇	Shaft O-ring	2
28	1882	Seat adapter plate	2
29	2-240 ₂	Adapter plate O-ring	2
30	2-261 ₂	Case O-ring (521)	2
	2-268 ₂	Case O-ring (1021)	2
31	2270	1/4" Key	2
32	2949	nameplate	1
33	3442	1/4" NPT plug	1

Ref. No.	Part No.	Description	Qty
34	7001-031 NC125A	Hex hd bolt 5/16-18x1-1/4 (521)	4
	7001-037 NC125A	Hex hd bolt 3/8-16x1-1/4 (1021)	4
35	7001-037 NC125A	Hex head bolt 3/8-16x1-1/4 (521)	28
	7001-037 NC125A	Hex head bolt 3/8-16x1-1/4 (1021)	32
	7001-037 NC150A	Hex head bolt 3/8-16x1-1/2	8
37	_____ ⁵	Retainer	2
38	_____ ⁵	Seal seat	2
39	2-227 ₂	Seal seat O-ring	2
40	2159	Lubricap #2	2
41	1359	Lubrication instruction tag	2
42	7003-004	Round head plated drive screw	2
	DR0198	4 x 3/16	

For repair kits see page 15.

¹Seal assemblies are available in two forms:

a. Complete seal kit including bearing housing, seat adapter plate, bearings, retainer ring, seal and O-rings. Part number 1769-X₂.

b. Field replacement seal assembly containing only the seal and O-rings.

Part number 1769-XR₂.

²₂ denotes O-ring code

O-ring Code	
A	Buna-N
B	Neoprene [®]
D	Viton [®]
E	Teflon [®]

³Optional flanges, (model 521):

1172-1.5 1/2" NPT

1172-1.5S 1/2" Weld

1172-2 2" NPT

1172-2S2' Weld

1172-2.5 2-1/2" NPT

1172-2.5S 2-1/2" Weld

⁴Optional flanges, (model 1021):

1206-3S 3" Weld

1206-4 4" NPT

1206-4S 4' Weld

⁵Not available separately

⁶Neoprene[®], Viton[®] and Teflon[®] are registered trademarks of the DuPont company

⁷Available in Buna-N only

⁸Sideplate replacement instructions:

Model 1021

Install with feeder channel against rotor pointing toward the outlet.

