

WARNING!

If the Valve is closed slowly by holding the Handle as it is moved toward the CLOSED position, be sure the Handle reaches its STOP position. The Handle Safety Lock must engage beneath the Bonnet flange.

AVAILABLE KITS		
Kit Number	Kit Name & Items Included	Assembly Procedure
SQJ-363-0020	Seal Kit ① ② ③ ⑬ ⑳ ㉑ ㉒ ㉓ ㉔	Steps 1 thru 9
SQJ-363-0021	Handle Assy. ⑱ ⑲ ㉔ ㉕ ⑳	Step 9
SQJ-363-1701	Stem & Extension Assy. ① ② ③ ⑨ ⑩ ⑬ ⑯	Steps 4 thru 9

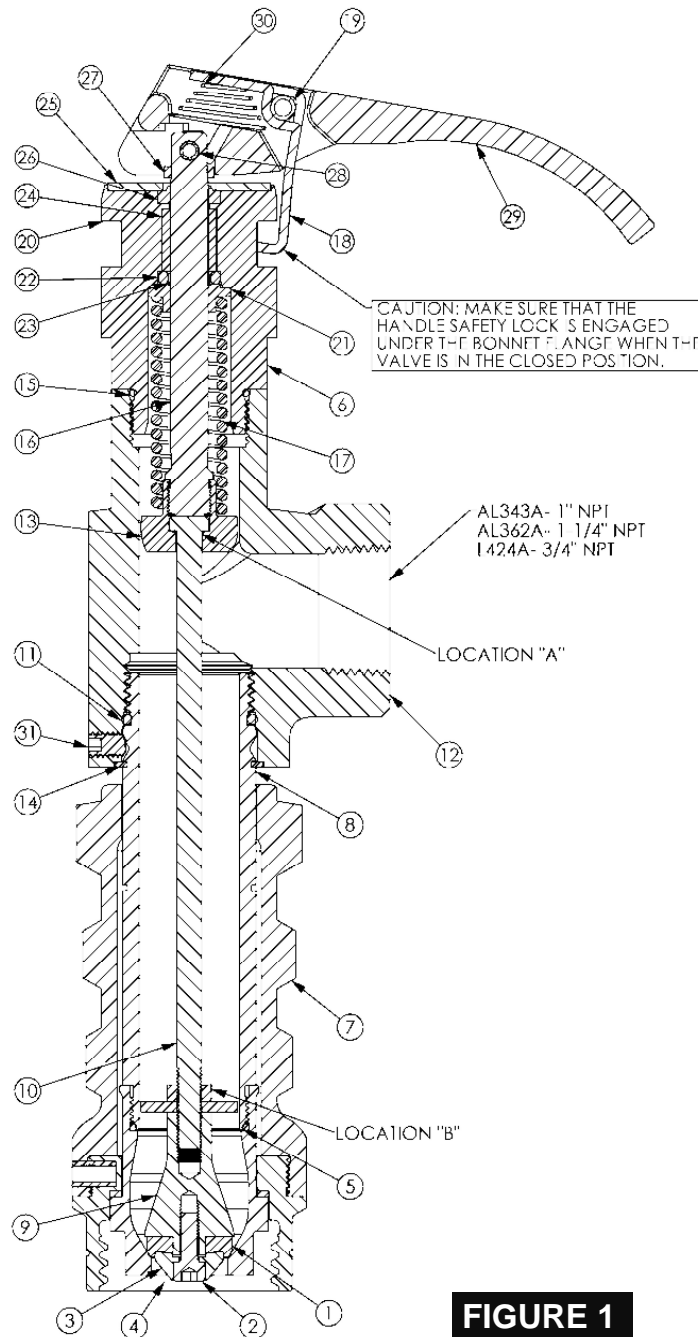


FIGURE 1

Item	Qty.	Description
1	1	Disc
2	2	Cap Screw
3	1	Seat Retainer
4	1	Seat
5	1	Nozzle/Seat Seal
6	1	Inlet Label
7	1	Speed Drive Swivel
8	1	Nozzle
9	1	Disc Holder
10	1	Stem Extension
11	1	Body/Nozzle Seal
12	1	Body (Angle)
13	1	Seat Retainer
14	1	Spiral Retainer Ring
15	1	Body/Bonnet Seal
16	1	Stem
17	1	Stem Spring
18	1	Handle Safety Lock
19	1	Spring Pin
20	1	Bonnet
21	1	Seal Retainer
22	1	Stem Seal
23	1	Seal Sleeve
24	1	Bonnet Bushing
25	1	Handle Bearing
26	1	Wiper Ring
27	1	Stem Centering Washer
28	1	Handle Pivot Roll Pin
29	1	Handle
30	1	Handle Spring
31	1	Set Screw

While this information is presented in good faith and believed to be accurate, Individuals using this literature must exercise their independent judgment in evaluating product selection and determining product appropriateness for their particular purpose, system requirements and certifications. The manufacturer reserves the right to change product designs and specifications without notice.