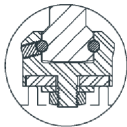


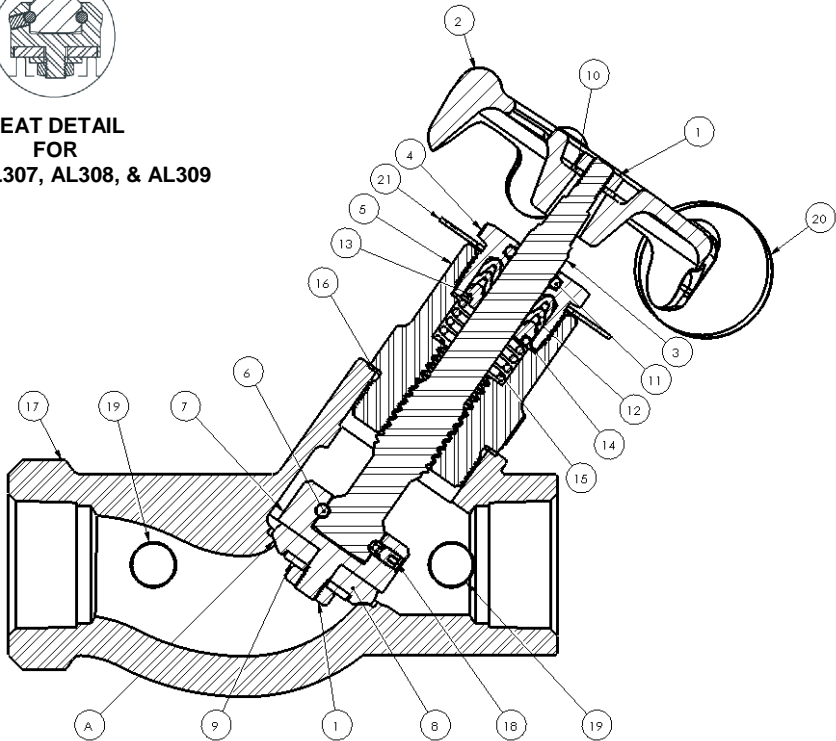
ITEM	QTY	DESCRIPTION	AVAILABLE KITS			
1	2	HANDWHEEL NUT/DISC NUT	KIT NUMBERS			
2	1	HANDWHEEL				
3	1	STEM				
4	1	PACKING NUT				
5	1	BONNET	AL306P, AL307P, AL308P OR AL309P	AL310P AL311P OR A329AL	KIT NAME & PARTS INCLUDED	ASSEMBLY PROCEDURE
6	15	BALL	308-0022	310-0022	SEAL KIT ① ⑧ ⑪ ⑫ ⑭ ⑯	1 thru 10
7	1	DISC HOLDER				
8	1	DISC	308-1300	310-1300	STEM & DISC ① ③ ⑥ ⑦ ⑧ ⑨ ⑱	2 thru 10
9	1	DISC WASHER				
10	1	LOCK WASHER				
11	1	O-RING				
12	2	CHEVRON PACKING	308-1100	310-1100	BONNET ASSEMBLY ① ③ ④ ⑤ ⑥ ⑦ ⑧ ⑪ ⑫ ⑬ ⑭ ⑮ ⑯	8 thru 10
13	1	MALE ADAPTER				
14	1	GASKET				
15	1	PACKING SPRING				
16	1	BODY GASKET				
17	1	BODY				
18	1	RETAINING SCREW				
19	1	1/4"NPT HEX HEAD PLUG				
20	1	WARNING LABEL				
21	1	INFO DISC				



**SEAT DETAIL
FOR**

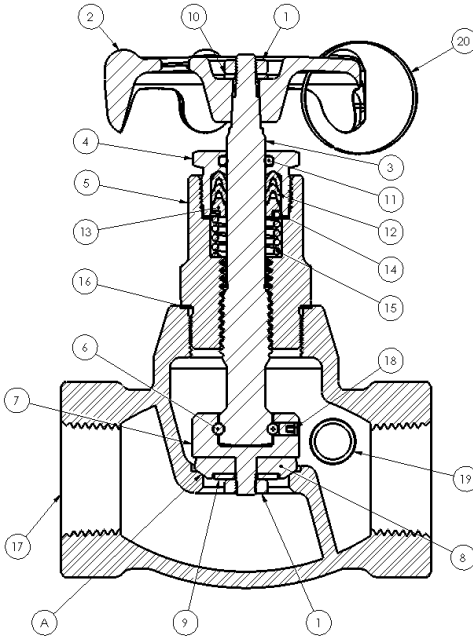
AL306, AL307, AL308, & AL309

A329AL

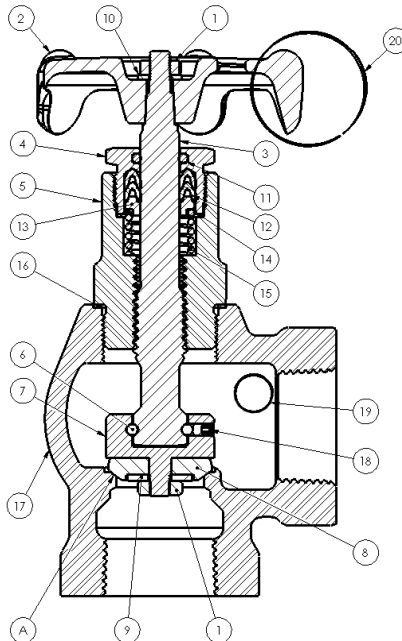


While this information is presented in good faith and believed to be accurate, Individuals using this literature must exercise their independent judgment in evaluating product selection and determining product appropriateness for their particular purpose, system requirements and certifications. The manufacturer reserves the right to change product designs and specifications without notice.

AL310P



AL311P



While this information is presented in good faith and believed to be accurate, individuals using this literature must exercise their independent judgment in evaluating product selection and determining product appropriateness for their particular purpose, system requirements and certifications. The manufacturer reserves the right to change product designs and specifications without notice.