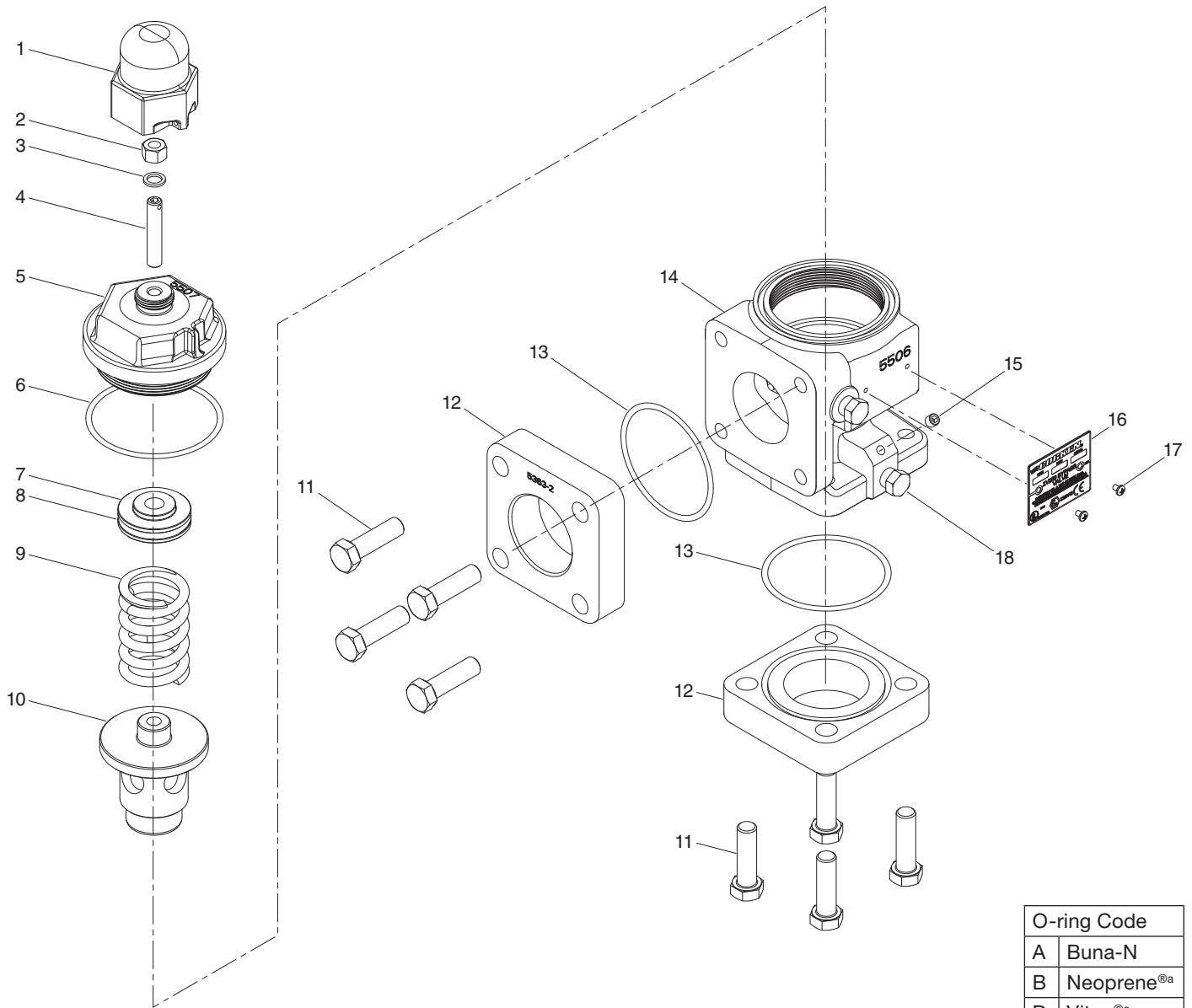


Appendix E—Parts Details for Model ZV200



O-ring Code	
A	Buna-N
B	Neoprene ^{®a}
D	Viton ^{®a}

Ref. No.	Part No.	Description	Qty
1.	5457	Adjustment nut cap	1
2.	7101-037NC01A	Hex nut	1
3.	2732	Gasket	1
4.	2911	Adjusting screw	1
5.	5507	Bypass valve cap (2")	1
6.	2-235_ ^b	O-ring	1
7.	2-223_ ^b	O-ring	1
8.	5516	Spring guide (2")	1
	5512	Valve spring (126–150 psi)	1
9.	5513	Valve spring (41–70 psi)	1
	5515	Valve spring (71–90 psi)	1
10.	5509	Relief valve (2")	1
	5511	Valve spring (91–125 psi)	1

^aRegistered trademark of the DuPont company.

^b_ denotes O-ring code. See chart above.

Ref. No.	Part No.	Description	Qty
11.	7001-050NC175A	Hex head bolt	8
12.	5363-1.25	Flange (1.25" NPT)	2
	5363-1.5	Flange (1.5" NPT)	2
	5363-2	Flange (2" NPT)	2
	5363-2.5	Flange (2.5" NPT)	2
	5363-1.25S	Flange (1.25" slip weld)	1
	5363-1.5S	Flange (1.5" slip weld)	1
13.	5363-2S	Flange (2" slip weld)	2
	5363-2.5S	Flange (2.5" slip weld)	2
13.	2-234_ ^b	O-ring	2
14.	5506	Bypass valve body	1
15.	1629	Flush plug 1/16" x 27 NPT	2
16.	5510	Nameplate	1
17.	7012-006SF019E	Pan hd. Phillip 6-32 x 3/16"	2
18.	3442	Pipe plug 1/4" NPT	4