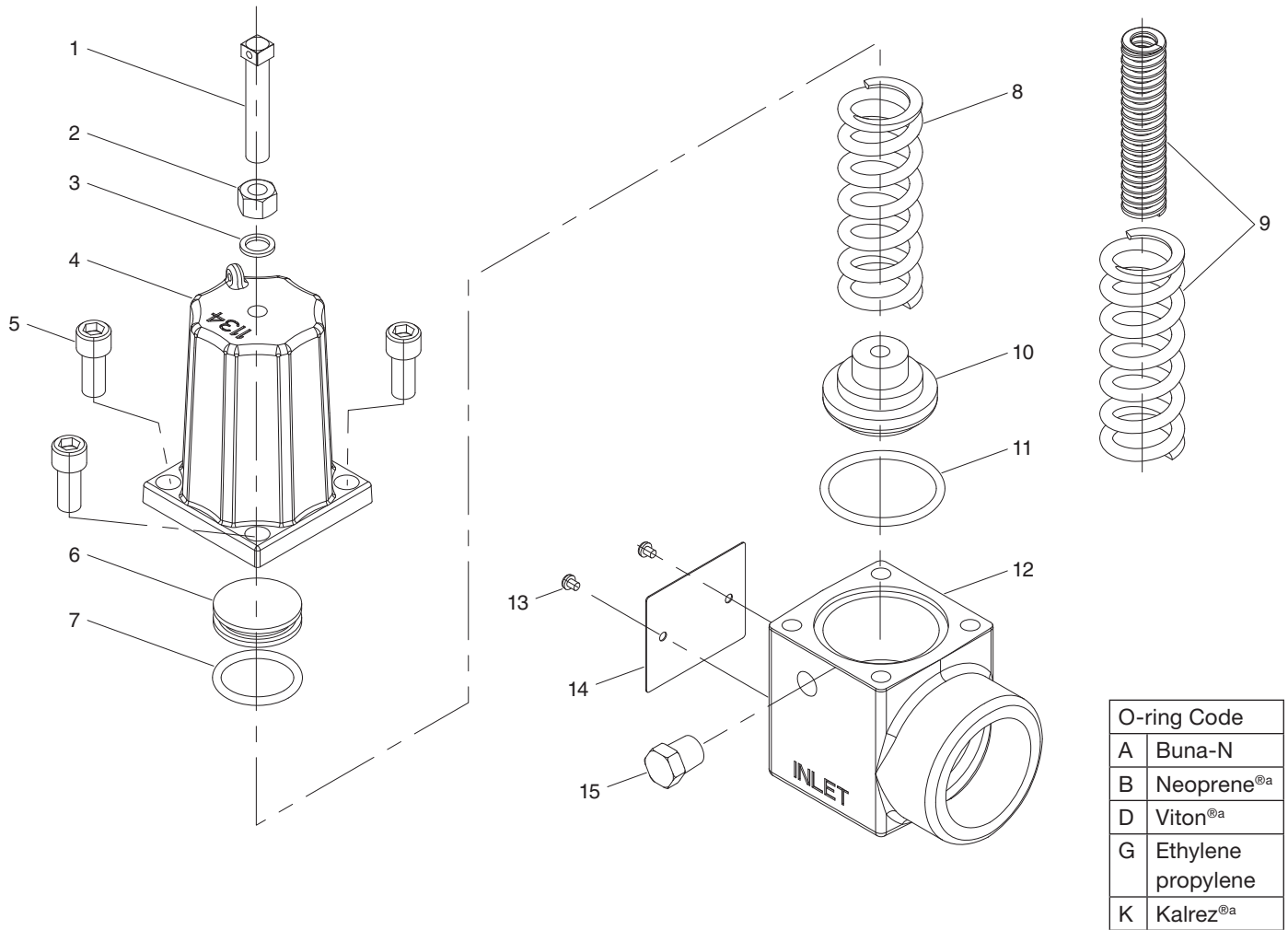


# Appendix E—Parts Details for Models T166-1.25 and T166-1.5"



Ref. No.	Part No.	Description	Qty
1.	2911	Adjusting screw	1
2.	7101-037NC01A	Head head nut—3/8-16	1
3.	2732	Center headbolt gasket — Steel	1
4.	1134	Bonnet	1
5.	7002-037NC087A	Socket head—3/8-16 X 7/8", gr 8	4
6.	1136	Spring seal	1
7.	2-217 <sup>b</sup>	O-ring	1
8.	1138	Spring (25 to 60 psi)	1
	1193	Spring (50 to 150 psi)	1
9.	1193	Spring (100 to 225 psi)	1
	1313		1

Ref. No.	Part No.	Description	Qty
10.	2215	Valve	1
11.	2-224 <sup>b</sup>	O-ring	1
12.	1320-2	Body—T166-1-1/4"	1
	1320-3	Body—T166-1-1/2"	1
13.	7012-006SF019E	Pan head Phillip - 6-32 X3/16"-TYP	2
14.	2216	Nameplate	1
15.	3442	Pipe plug—1/4 NPT	1

<sup>a</sup>Registered trademark of the DuPont company.  
<sup>b</sup> denotes O-ring code. See chart above.