



**ROCHESTER
GAUGES, INC.**

ISO 9001:2008 CERTIFIED

**Magnetel™
Liquid-Level Transmitter**

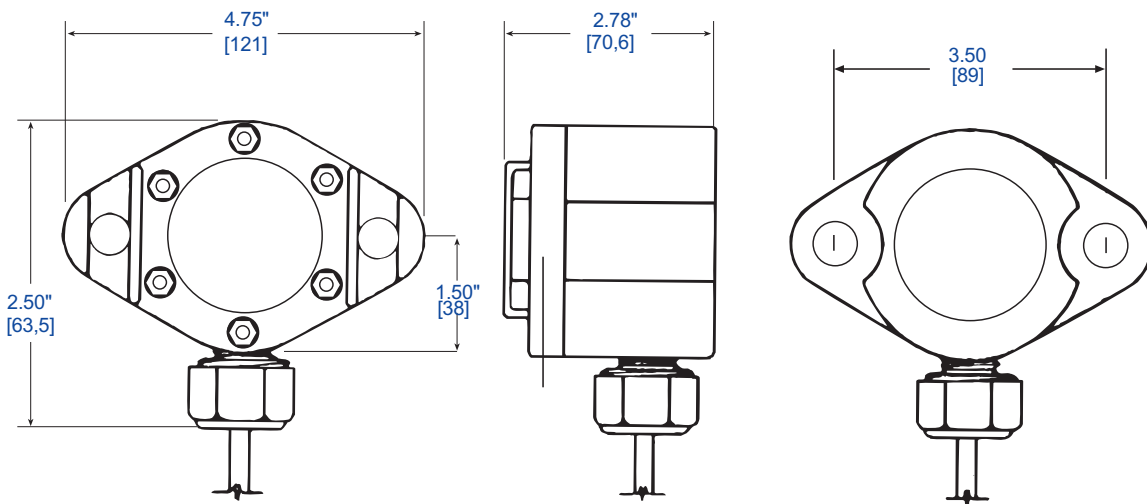
R6315-12

Application

This transmitter is designed to fit Rochester model 6342 and 6360 Magnetel™ Float gauges with 8" dials.

General Information & Features

The model R6315-12 transmitter utilizes a 5kΩ proportional output conductive plastic potentiometer and electronic circuitry to provide a current output of 4-20 mA, which is proportional to the liquid volume in a horizontal cylindrical storage tank. Model R6315-13 is intended for use only with computer systems. The model R6315-13 transmitter utilizes a 10kΩ linear-conductive plastic potentiometer and electronic circuitry to provide a current output of 4-20 mA, which is not proportional to the liquid volume in a horizontal cylindrical storage tank. Either transmitter should be used with intrinsically safe voltage input from a loop-power supply and safety barrier.



Rear, side and front views



LISTED

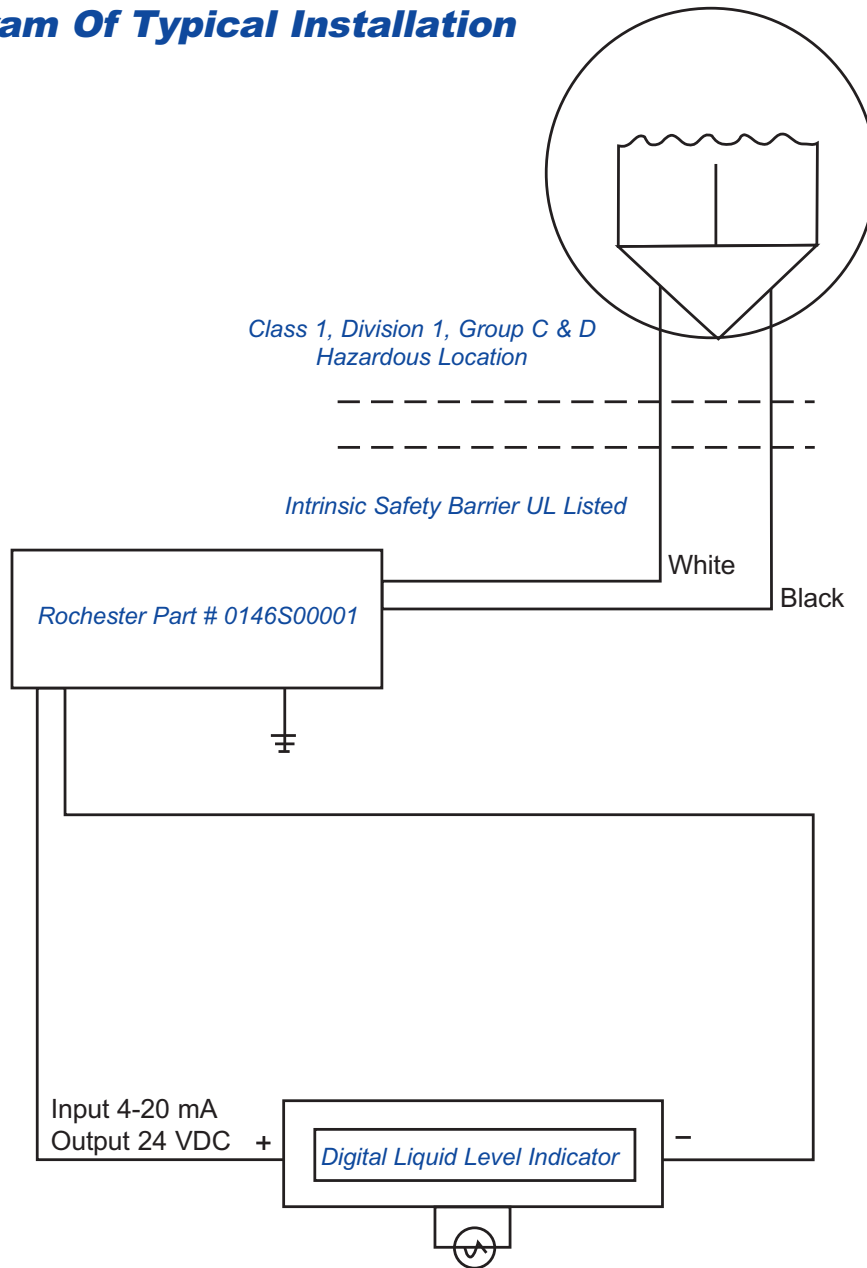
**Magnetel™
Liquid-Level Transmitter**

01/20/10

See reverse side for dimensional data, materials of construction, performance, and advice on how to order.

The Measure of Excellence

Wiring Diagram Of Typical Installation



General Specifications•

4-20 mA output
 12-24 VDC input
 Conformity ±1.5%
 Load: 495 ohms or less
 UL Listed as intrinsically safe.

* Materials and specifications are subject to change without notice.
 Pressure ratings subject to change due to temperature and other environmental considerations.

See WD-565 for Control Drawing

Note:

1. Total resistance added to the line for voltage generation and readouts should be less than 495 ohms for proper operation with 25.5 volts, intrinsic safe limit for most barriers.
2. Digital liquid-level indicator cannot use or generate more than 250 VAC.

01/20/10