



OPERATING INSTRUCTIONS AND OWNER'S MANUAL

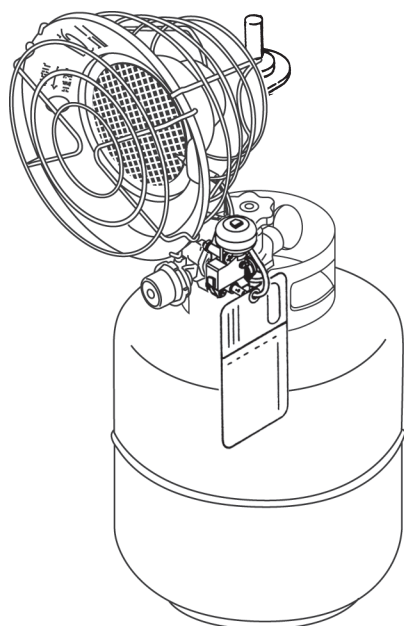
Model #

MH15TS
MH30TS

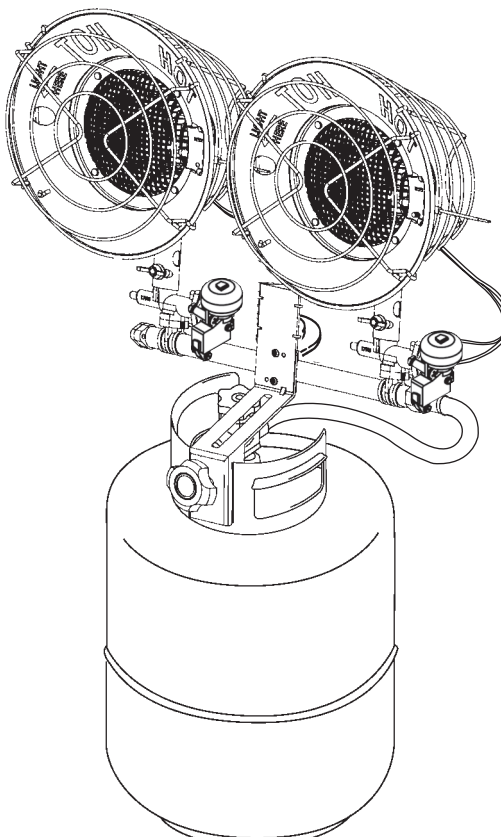
READ INSTRUCTIONS CAREFULLY: Read and follow all instructions. Place instructions in a safe place for future reference. Do not allow anyone who has not read these instructions to assemble, light, adjust or operate the heater.

GAS-FIRED INFRA-RED TANK TOP HEATER

CYLINDER NOT INCLUDED



MH15TS



MH30TS

Serial Numbers:

Model	Numbers Starting With
MH15TS	CL-242105-12001001
MH30TS	CL-242655-12001001

LANGUAGES

ENGLISH

Pages E1 — E8

SPANISH

Pages S1 — S8

FRENCH

Pages F1 — F8

WARNING: If the information in this manual is not followed exactly, a fire or explosion may result causing property damage, personal injury or loss of life.

- Do not store or use gasoline or other flammable vapors and liquids in the vicinity of this or any other appliance.
- An LP cylinder not connected for use shall not be stored in the vicinity of this or any other appliance.
- **WHAT TO DO IF YOU SMELL GAS**
 - Do not try to light appliance.
 - Extinguish any open flame.
 - Shut off gas to appliance.
- DO NOT LEAVE HEATER UNATTENDED OR IN OPERATION WHILE SLEEPING.

This is an unvented gas-fired portable heater. It uses air (oxygen) from the area in which it is used. Adequate combustion and ventilation air must be provided. Refer to page 2.

WARNING:

⚠ YOUR SAFETY IS IMPORTANT TO YOU AND TO OTHERS,

GENERAL HAZARD WARNING:

⚠ FAILURE TO COMPLY WITH THE PRECAUTIONS AND INSTRUCTIONS PROVIDED WITH THIS HEATER, CAN RESULT IN DEATH, SERIOUS BODILY INJURY AND PROPERTY LOSS OR DAMAGE FROM HAZARDS OF FIRE, EXPLOSION, BURN, ASPHYXIATION, CARBON MONOXIDE POISONING, AND/OR ELECTRICAL SHOCK.

⚠ ONLY PERSONS WHO CAN UNDERSTAND AND FOLLOW THE INSTRUCTIONS SHOULD USE OR SERVICE THIS HEATER.

⚠ IF YOU NEED ASSISTANCE OR HEATER INFORMATION SUCH AS AN INSTRUCTIONS MANUAL, LABELS, ETC. CONTACT THE MANUFACTURER. SO PLEASE READ THESE INSTRUCTIONS BEFORE YOU OPERATE THIS HEATER.

WARNING:

⚠ **CARBON MONOXIDE CAN KILL YOU**

USING A PORTABLE GAS CAMPING HEATER INSIDE A TENT, RV, CAMPER, VEHICLE, SHELTER OR OTHER ENCLOSED AREAS CAN PRODUCE DEADLY CARBON MONOXIDE

WARNING:

⚠ **NOT FOR HOME OR RECREATIONAL VEHICLE USE**

WARNING:

⚠ FIRE, BURN, INHALATION, AND EXPLOSION HAZARD. KEEP SOLID COMBUSTIBLES, SUCH AS BUILDING MATERIALS, PAPER OR CARDBOARD, A SAFE DISTANCE AWAY FROM THE HEATER AS RECOMMENDED BY THE INSTRUCTIONS. NEVER USE THE HEATER IN SPACES WHICH DO OR MAY CONTAIN VOLATILE OR AIRBORNE COMBUSTIBLES, OR PRODUCTS SUCH AS GASOLINE, SOLVENTS, PAINT THINNER, DUST PARTICLES OR UNKNOWN CHEMICALS.

WARNING:

The State of California requires the following warning: COMBUSTION BY-PRODUCTS PRODUCED WHEN USING THIS PRODUCT CONTAIN CARBON MONOXIDE, A CHEMICAL KNOWN TO THE STATE OF CALIFORNIA TO CAUSE CANCER AND BIRTH DEFECTS (OR OTHER REPRODUCTIVE HARM).

THIS PRODUCT CONTAINS CHEMICALS KNOWN TO THE STATE OF CALIFORNIA TO CAUSE CANCER AND BIRTH DEFECTS OR OTHER REPRODUCTIVE HARM.

CONTENTS

WARNINGS.....2

ASSEMBLY AND HOOKUP INFORMATION.....3

ODOR FADE WARNING.....4

GENERAL INFORMATION.....4

FOR SAFE OPERATION.....5

VENTILATION.....5

MINIMUM CLEARANCE FROM COMBUSTIBLE MATERIALS.....5

LIGHTING INSTRUCTIONS.....6

SHUTDOWN AND STORAGE INSTRUCTIONS.....6

PARTS LIST.....7

WARRANTY.....8

INSTRUCTIONS FOR ORDERING PARTS.....8

The heater is designed and approved for us as, a construction heater and in accordance with ANSI Z83.7-CSA 2.14. Check with your local fire safety authority if you have any questions about applications.

Other standards govern the use of fuel gases and heat-producing products and specific applications. Your local authority can advise you about these standards.

ASSEMBLY AND HOOK-UP INFORMATION

1. Heater model MH15TS and MH30TS are packaged complete. Propane cylinders (tanks) are not included with heater model.
2. Remove heater from carton.
3. Use only vapor withdrawal LP gas cylinders constructed for use with propane only (HD-5) and marked in accordance with the specifications for LP gas cylinders of the U.S. Department of Transportation (DOT SPEC. 39).
4. This heater must be used only with a vapor withdrawal LP gas bulk tank equipped with a standard POL valve – do not use this heater on bulk tanks greater than 20 pounds LPG capacity (50 pounds water capacity).

5a. MH30TS Dual Burner Model (see Figure 1.)

- The tank collar bracket must be assembled before the heater can be attached to the propane tank.
- Remove screws holding Piezo Igniter bracket to manifold center plate and retain for later use.
- Align bolt holes in tank collar bracket with bolt holes in center plate on manifold such that the heater is facing outward once attached to cylinder collar.
- Attached with screws removed above, making sure that Piezo Igniter bracket is between tank collar bracket and manifold center plate.
- Place heater onto tank with tank collar bracket over tank collar. Mounting bolt knob should be positioned to the outside of tank collar.
- Firmly secure to tank by hand-tightening mounting bolt knob. Do not overtighten.
- Make sure heater regulator is in the “OFF” position.
- Insert regulator’s connector into tank’s valve and turn left (counterclock-wise) with hand as much as possible. Do not overtighten.

5b. MH15TS Single Burner Model (See Figure 2.)

- Be sure heater is facing away from tank.
- Insert regulator connector into tank valve outlet fitting and turn left (counterclock-wise) until fully tightened. Do not overtighten. (See Figure 2a)
- Place heater support around venturi and slide clip ends onto propane cylinder collar. Use 1/4”-20 x 35mm screw and wing nut to secure heater support onto venturi tube. (See Figure 2b)

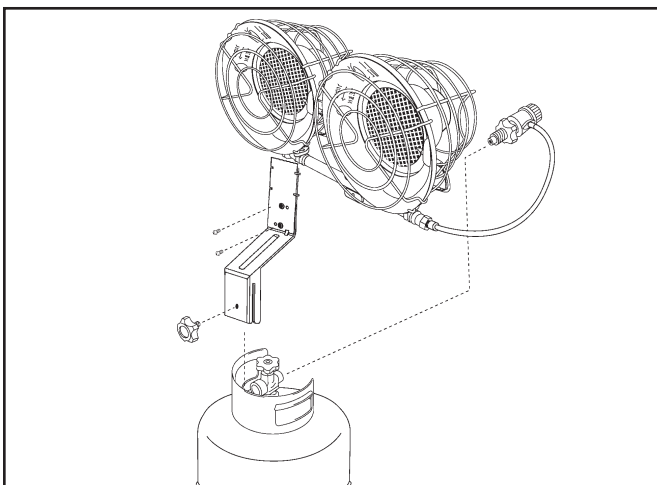


Figure 1.

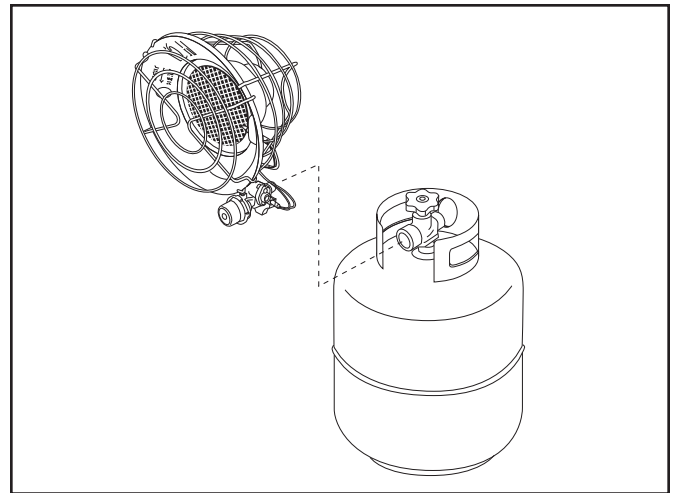


Figure 2a.

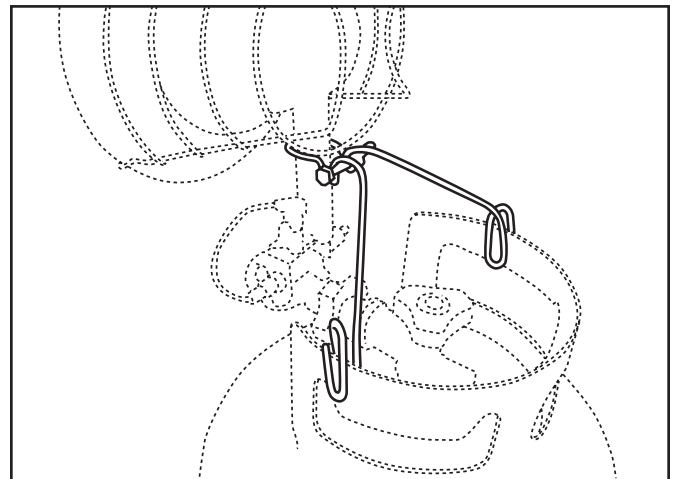


Figure 2b.

6. Operate only on a stable, level surface.
7. Open propane tank valve slowly.
8. Check all fittings for leaks. Apply a 50/50 mixture of liquid soap and water to all joints. Bubbles forming indicate a leaking connection. Correct all leaks before proceeding.

WARNING

⚠ Never touch heater while in operation to avoid injury. Move heater by grasping the propane cylinder carefully.

9. The heater should be inspected before each use and at least annually by a qualified service person.
10. The hose assembly shall be visually inspected prior to use of heater. If it is evident there is excessive abrasion or wear, or the hose is cut, it must be replaced prior to the heater being put into operation. Replacement hose assembly shall be Mr. Heater hose assembly as listed in the parts list.
11. Minimum inlet gas pressure is 20 psi.
12. Maximum inlet gas pressure is 120 psi (equivalent to an ambient temperature of 75°F (24°C)).

ODOR FADE WARNING

WARNING

⚠️ Asphyxiation Hazard

- Do not use this heater for heating human living quarters.
- Do not use in unventilated areas.
- The flow of combustion and ventilation air must not be obstructed.
- Proper ventilation air must be provided to support the combustion air requirements of the heater being used.
- Refer to the specification section of the heater's manual, heater dataplate, or contact the factory to determine combustion air ventilation requirements of the heater.
- Lack of proper ventilation air will lead to improper combustion.
- Improper combustion can lead to carbon monoxide poisoning leading to serious injury or death. Symptom of carbon monoxide poisoning can include headaches, dizziness and difficulty in breathing.

FUEL GAS ODOR

LP gas and natural gas have man-made odorants added specifically for detection of fuel gas leaks.

If a gas leak occurs you should be able to smell the fuel gas. Since Propane (LP) is heavier than air you should smell for the gas odor low to the floor. ANY GAS ODOR IS YOUR SIGNAL TO GO INTO IMMEDIATE ACTION!

- Do not take any action that could ignite the fuel gas. Do not operate any electrical switches. Do not pull any power supply or extension cords. Do not light matches or any other source of flame. Do not use your telephone.
- Get everyone out of the building and away from the area immediately.
- Close all propane (LP) gas tank or cylinder fuel supply valves, or the main fuel supply valve located at the meter if you use natural gas.
- Propane (LP) gas is heavier than air and may settle in low areas. When you have reason to suspect a propane leak, keep out of all low areas.
- Use your neighbor's phone and call your fuel gas supplier and your fire department. Do not re-enter the building or area.
- Stay out of the building and away from the area until declared safe by the firefighters and your fuel gas supplier.
- FINALLY, let the fuel gas service person and the firefighters check for escaped gas. Have them air out the building and area before you return. Properly trained service people must repair any leaks, check for further leakages, and then relight the appliance for you.

ODOR FADING - NO ODOR DETECTED

- Some people cannot smell well. Some people cannot smell the odor of the man-made chemical added to propane (LP) or natural gas. You must determine if you can smell the odorant in these fuel gases.
- Learn to recognize the odor of propane (LP) gas and natural gas. Local propane (LP) gas dealers will be more than happy to give you a scratch and sniff pamphlet. Use it to become familiar with the fuel gas odor.

- Smoking can decrease your ability to smell. Being around an odor for a period of time can affect your sensitivity to that particular odor. Odors present in animal confinement buildings can mask fuel gas odor.
- **The odorant in propane (LP) gas and natural gas is colorless and the intensity of its odor can fade under some circumstances.**
- If there is an underground leak, the movement of gas through the soil can filter the odorant.
- Propane (LP) gas odor may differ in intensity at different levels. Since Propane (LP) gas is heavier than air, there may be more odor at lower levels.
- **Always be sensitive to the slightest gas odor.** If you continue to detect any gas odor, no matter how small, treat it as a serious leak. Immediately go into action as discussed previously.

ATTENTION - CRITICAL POINTS TO REMEMBER!

- Propane (LP) gas has a distinctive odor. Learn to recognize these odors. (Reference Fuel Gas Odor and Odor Fading sections to the left and above).
- Even if you are not properly trained in the service and repair of the heater, ALWAYS be consciously aware of the odors of propane (LP) gas and natural gas.
- If you have not been properly trained in repair and service of propane (LP) gas then do not attempt to light heater, perform service or repairs, or make any adjustments to the heater on the propane (LP) gas fuel system.
- A periodic sniff test around the heater or at the heater's joints; i.e. hose, connections, etc., is a good safety practice under any conditions. If you smell even a small amount of gas, CONTACT YOUR FUEL GAS SUPPLIER IMMEDIATELY. DO NOT WAIT!

GENERAL INFORMATION

- The MH15TS and the MH30TS are high pressure propane appliances and are designed to be connected to a bulk propane tank.
- These heaters are equipped with an automatic Safety Shutoff Valve. The gas flow will automatically stop if the heater fails to operate for any reason.
- Maximum safety and convenience have been built into the Hi-Med-Lo-Off Control Valve/Regulator. The following table lists the approximate BTU's consumed and the operating hours you can reasonably expect from bulk propane cylinders.
- These heaters are for temporary heating of buildings under construction, alterations, or repair.

Valve Position	Model			
	MH15TS		MH30TS	
	BTU Input	Hours w/20lb. Tank	BTU Input	Hours w/ 20lb. Tank
Hi	15,000	28	30,000	14
Med	12,000	36	24,000	18
Lo	10,000	43	10,000	43

Figure 3.

- MH15TS and MH30TS are equipped with "Sparklite" igniters for convenient heater lite-off.

FOR SAFE OPERATION

- A. READ INSTRUCTIONS CAREFULLY:** Read and adhere to these instructions. Do not allow anyone who has not read the instructions to assemble, light, adjust or operate the heater.

WARNING

⚠ KEEP THE HEATER OUT OF THE REACH OF CHILDREN

- B.** Use only in accordance with local codes or, in the absence of local codes, with the standard for the Storage and handling of Liquefied Petroleum Gases ANSI/NFPA 58 and CSA B 149.1, Natural Gas and Propane Installation Code.
- C. PROPANE IS VERY FLAMMABLE:** In the event of a leak, propane will accumulate and the possibility of a fire is present. Propane gas is scented and its strong odor is readily detectable. Never strike a match or bring any flame or create an electric spark in an enclosure when you smell propane gas. Ventilate the area thoroughly, move the heater outside, find and correct the source of the leak before attempting to light any appliance. If you are unsure of these instructions evacuate immediately and call for help.
- D. GAS LEAKAGE:** If the leak cannot be corrected do not tamper with the heater, follow the shut down instructions and return the heater to the dealer or address given on last page.

WARNING

⚠ DO NOT USE THIS HEATER ON BULK TANKS OF GREATER CAPACITY THAN 20 POUNDS LPG (50 POUNDS WATER CAPACITY).

- E. LEAK DETECTION:** Before each use of the heater check all fittings and connections with a soap solution to be sure there are no leaks. NEVER, NEVER USE ANY FLAME FOR LEAK TEST.
- F. CONNECTING HEATER TO PROPANE CYLINDER:** Always connect the heater to the bulk cylinder in the outdoors or in a well ventilated area. NEVER connect this heater to a cylinder near an open flame.
- G. USE OF HEATER:** Always operate the heater with the propane cylinder in an upright position on a level noncombustible surface. NEVER place the cylinder on its side when operating the heater.
- H. ATTEND HEATER:** Do not leave heater unattended while it is in operation.
- I. ALWAYS LIGHT HEATER WITH MATCH OR "SPARKLITE" IGNITER: NEVER** attempt to light the heater with a spark lighter.
- J. DO NOT TAMPER:** Should the heater not perform properly, such as little or no heat when operating in the "Hi" position, or for any other reason, DO NOT ATTEMPT TO REPAIR OR TAMPER with the heater. Any tampering could make the use of the heater unsafe and dangerous. Return the heater to the dealer or the address given on last page for repair or replacement.
- K. FOR STORAGE:** The heater Hi-Med-Lo-Off regulating valve should always be turned to "off" when the heater is not in use. Allow at least 15 minutes for cooling before handling and storing. Detach propane cylinder from heater before storing. DO NOT store propane cylinders indoors or near open flame or heat.

- L. DO NOT TRANSPORT OR MOVE APPLIANCE WHILE IN OPERATION. FOLLOW SHUTDOWN AND STORAGE INSTRUCTIONS TO TRANSPORT OR MOVE THIS APPLIANCE.**

VENTILATION

- A. WARNING:** This heater is an unvented appliance and **MUST be used ONLY in a well ventilated area. NEVER** attempt to operate the heater inside any vehicle, camper or enclosure.
- B. FOR NON-RESIDENTIAL INDOOR AND OUTDOOR USE.** Any combustion process requires and consumes oxygen, and will produce carbon monoxide. **THIS HEATER MUST BE USED WITH ADEQUATE VENTILATION.** Do not use inside a house, camper, tent or any type of unvented or a tightly enclosed area.
- C. WARNING:** Provide ample ventilation. This heater consumes air (oxygen). Do not use this heater in unventilated structures to avoid endangering your life. Provide additional ventilation for any additional fuel-burning appliances and additional occupants.
- D.** Flow of combustion and ventilation air must not be obstructed.

MINIMUM CLEARANCE FROM COMBUSTIBLE MATERIALS

- A.** When operating, the heater surfaces are extremely hot. Keep sleeping bags, clothing, and all combustible materials clear of the heater by at least the distances shown in figure 4.

BTU/HR. Rating		Normal Operating Procedure	Clearances to Combustibles				
Model no.	Gas Propane		From C.L. OF HTR. TO FLOOR	FRONT	SIDES	REAR	CEILING
MH15TS	15,000	Vertical	24"	30"	30"	30"	30"
MH30TS	30,000	Vertical	24"	30"	30"	30"	36"

Figure 4.

- B. WARNING:** To avoid injury or property damage never allow clothing, tents or other combustible materials within 30" of the face of the heater. This heater must be located at least 24" above the floor level when in use. Never operate the heater when sleeping.
- C. WARNING:** Never direct the heat output of this heater toward any propane tank within 20 feet.

LIGHTING INSTRUCTIONS

- A. Before attempting to light the heater, check all fittings and connections with a soap solution. **NEVER USE A MATCH TO CHECK FOR LEAKS.** Should a gas leak occur, do not attempt to repair or use heater. Return the heater to your dealer or the address given on back page.
- B. Fuel – This heater must be used only with a vapor withdrawal LP gas bulk cylinder. THE BULK TANK MUST BE EQUIPPED WITH A STANDARD POL VALVE.

WARNING

- ⚠ USE HD.5 PROPANE GAS ONLY. DO NOT USE ANY OTHER TYPE FUEL. SEE YOUR PROPANE DEALER IF YOU HAVE ANY QUESTIONS REGARDING FUEL.

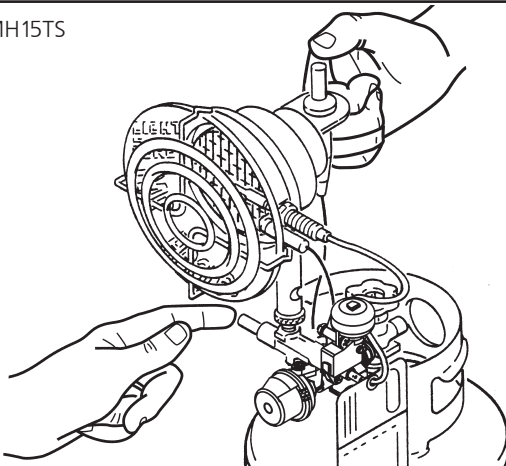
- C. Turn the heater's "Hi-Med-Lo-Off" regulator knob to "Med" (counterclockwise).
- D. To light the MH15TS, press the Safety Shutoff Valve. While holding the Safety Shutoff Valve button, immediately press the "Sparklite" ignition button (repeat until heater lights). After the heater is lit, continue to hold the Safety Shutoff Valve for 30 seconds, then release the button.

OPTIONAL LIGHTING: To light heater, place a lit match inside hole on rear reflector marked "light here". (See Figure 5) THEN push in valve button on Safety Shutoff Valve. After the heater is lit, continue to hold valve button in for 30 seconds, then release the button slowly. **CAUTION: DO NOT PUSH IN VALVE BUTTON BEFORE INSERTING LIT MATCH. NEVER STAND IN FRONT OF HEATER WHILE LIGHTING. REPEAT STEP "D" FOR EACH BURNER**

- E. To light a burner, MH30TS Model, push in valve button on Safety Shutoff Valve and at the same time push down on "Sparklite" Igniter button. Repeat push down of "Sparklite" Igniter button until burner ignites After burner is lit, continue to hold valve button in for 30 second, then release the button slowly. Repeat step "E" for each burner of the MH30TS Heater. (See Figure 6)
- F. If burner does not light within 30 seconds, turn the heater's regulator knob to "off" (clockwise) and allow at least five minutes for gas to dissipate before attempting to relight.
- G. NOTE: Should the orifice become clogged as indicated by low volume of gas when operating on "Hi" with a full cylinder, or should the heater fail to operate properly for any reason, return the heater to the dealer or the address given on back page for repair or replacement. DO NOT ATTEMPT TO REPAIR OR TAMPER WITH HEATER.
- H. Adjust heat output by turning knob to desired position.
- I. **DO NOT USE THIS HEATER FOR COOKING.**

Model: MH15TS

Figure 5



SHUTDOWN AND STORAGE INSTRUCTIONS

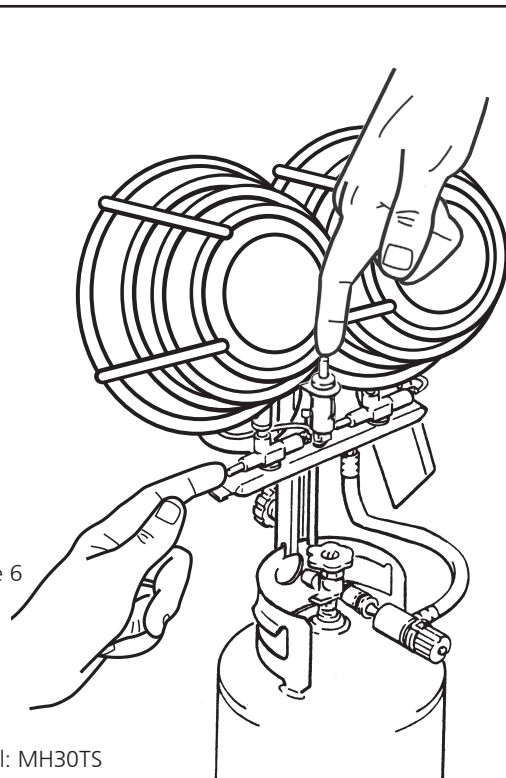
- A. The bulk propane tank "on-off" valve should ALWAYS be completely turned "OFF" when the heater is not in use.
- B. When shutting off the heater, turn the regulator knob on the heater to "OFF" (clockwise).
- C. **CAUTION:** After turning unit off, heater will remain extremely hot. Allow at least 15 minutes for cooling before handling and storing. Detach heater from bulk tank before handling and storage. REMEMBER – POL fitting is a left-hand thread.
- D. **HEATER STORAGE:** Indoor storage of the heater is permissible only if the cylinder is disconnected and removed from the heater. Cylinders must be stored outdoors out of the reach of children and must not be stored in a building, garage or any other enclosed area. Store cylinders only in accordance with the Standard for the Storage and Handling of Liquefied Petroleum Gases ANSI/NFPA 58 and CSA B149.1, Natural Gas and Petroleum Installation Code.
- E. See page 7 for spare parts list.

MAINTENANCE

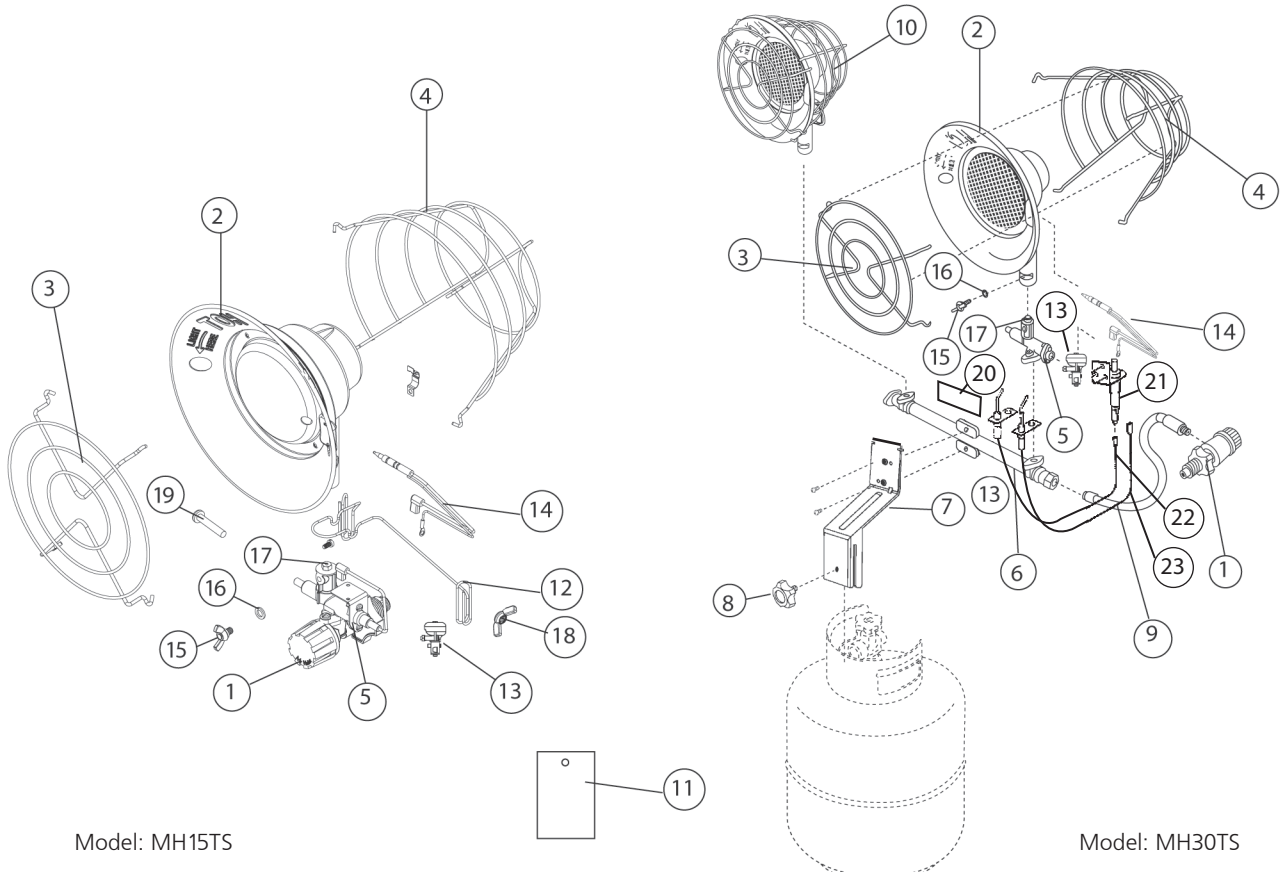
- A. Remove thermocouple (3) retaining bracket screw from back of burner assembly (2). Remove bracket.
- B. Note position of thermocouple (3) in retaining tabs on the back of the Burner assembly (2). Remove the thermocouple.
- C. Remove wing bolt (18) and fiber washer (19) that attached the safety shut-off (6) to the burner Assembly (2).
- D. Slide the safety shut-off (6) from burner assembly (2).
- E. Remove burner orifice (20) from the safety shut-off (6).
- F. Clean burner orifice with compressed air (80 psi max).
- G. Direct compressed air through the burner(2) venturi tube toward the burner plenum so that dust collected on the grid screen will be blown outward. Keep face away from the grid screen.
- H. Reassemble heater in reverse order of disassembly.

Figure 6

Model: MH30TS



Mr. Heater • Gas-Fired Tank Top Portable Heater • Model #MH15TS and MH30TS



Model: MH15TS

Model: MH30TS

Item #	Description	MH15TS		MH30TS	
		Number	Qty	Number	Qty
1	Regulator Assembly	17314	1	17314	1
2	Burner Assembly	42113	1	42110	2
3	Guard Assembly	17413	1	17413	2
4	Rear Guard Assembly	17418	1	17418	2
5	Safety Shut-Off Valve	17416	1	17416	2
6	Manifold	--	--	42666	1
7	Tank Collar Bracket	--	--	42618	1
8	Mounting Bolt Knob	--	--	17415	1
9	Gas Hose	--	--	17411	1
10	Burner Assembly with Guards	17419	1	17419	2
11	Label, Model/Opr. Instr.	42103	1	42656	1
12	Support Wireframe	17353	1	--	--
13	Tip Switch	42116	1	42116	2
14	Thermocouple/Tip Switch Wire Assembly	17349	1	17349	2
15	Wing Bolt	17342	1	17342	2
16	Fiber Washer	17341	1	17341	2
17	Orifice, Not sold separately	--	1	--	2
18	Wing Nut	17324	1	--	--
19	Bolt	17323	1	--	--
20	Sparklite Igniter Mounting Bracket	--	--	73234	1
21	Sparklite Igniter	73235	1	73235	1
22	Spark Electrode / Bottom	42136	1	42136	1
23	Spark Electrode / Side	--	--	42614	1



OPERATING INSTRUCTIONS AND OWNER'S MANUAL

Model #
MH15TS
MH30TS

Gas-fired Infra-Red Tank Top Heater

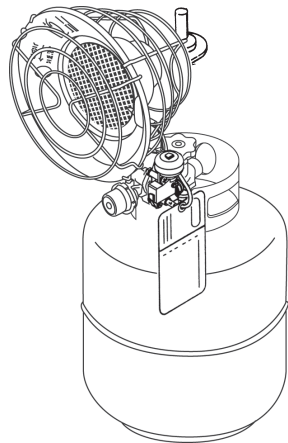
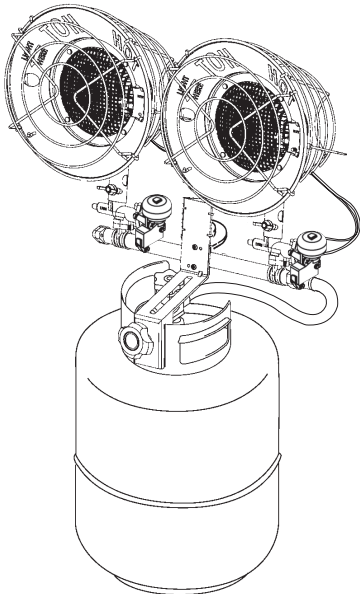
CYLINDER NOT INCLUDED

Serial Numbers:

Model	Numbers Starting With
-------	-----------------------

MH15TS	CL-242105-12001001
--------	--------------------

MH30TS	CL-242655-12001001
--------	--------------------



WARNING:

USE ONLY MANUFACTURER'S REPLACEMENT PARTS. USE OF ANY OTHER PARTS COULD CAUSE INJURY OR DEATH. REPLACEMENT PARTS ARE ONLY AVAILABLE DIRECT FROM THE FACTORY AND MUST BE INSTALLED BY A QUALIFIED SERVICE AGENCY.

PARTS ORDERING INFORMATION:

PURCHASING: Accessories may be purchased at any Mr. Heater Products local dealer or direct from the factory

FOR INFORMATION REGARDING SERVICE

Please call Toll-Free 800-251-0001

www.mrheater.com

Our office hours are 8:30 AM – 5:00 PM, EST, Monday through Friday. Please include the model number, date of purchase, and description of problem in all communication.

LIMITED WARRANTY

Mr. Heater, Inc. warrants its heaters and accessories to be free from defects in material and workmanship for a period of 1 year from date of purchase. Mr. Heater, Inc. will repair or replace this product free of charge if it has been proven to be defective within the 1-year period, and is returned at customer expense with proof of purchase to Mr. Heater, Inc. within the warranty period.

Mr. Heater, Inc. reserves the right to make changes at any time, without notice or obligation, in colors, specifications, accessories, materials and models.

PRODUCT REGISTRATION: Thank you for your purchase. Please log in to <http://www.egiregistration.com> to register your product.

Mr. Heater, Inc., 4560 W. 160TH ST., CLEVELAND, OHIO 44135 • 800-251-0001
Mr. Heater are registered trademarks of Mr. Heater, Inc.
© 2009, Mr. Heater, Inc. All rights reserved



INSTRUCCIONES DE FUNCIONAMIENTO Y MANUAL DEL USUARIO

Modelo N.º

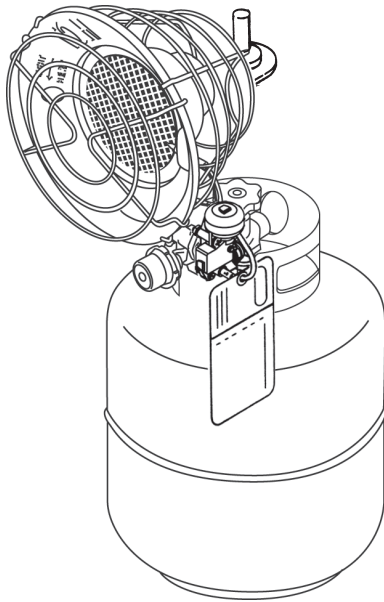
MH15TS
MH30TS

LEA LAS INSTRUCCIONES DETENIDAMENTE: Lea y siga todas las instrucciones. Guarde las instrucciones en un lugar seguro en caso de que necesite consultarlas en un futuro. No permita que nadie que no haya leído estas instrucciones ensamble, encienda, ajuste u opere el calentador.

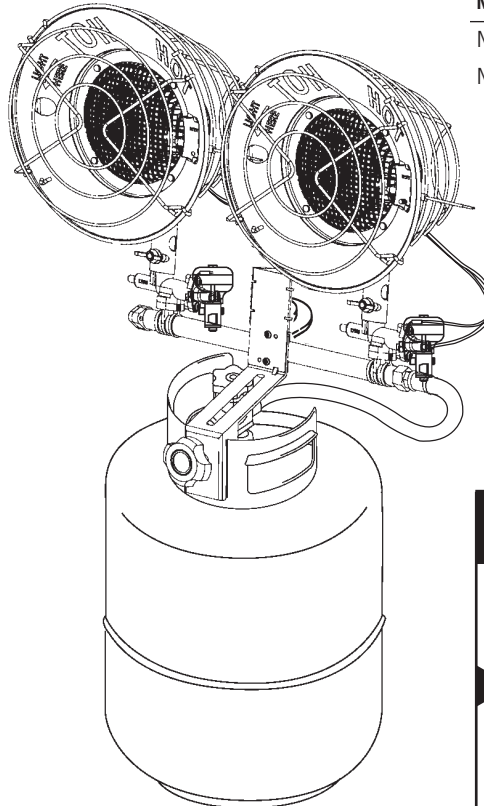
CALENTADOR INFRARROJO A GAS PARA TANQUE NO INCLUYE CILINDRO

Números de serie:

Modelo	Números que comienzan con
MH15TS	CL-242105-12001001
MH30TS	CL-242655-12001001



MH15TS



MH30TS

IDIOMAS

INGLÉS

Páginas E1 — E8

▶ ESPAÑOL

Páginas S1 — S8

FRANCÉS

Páginas F1 — F8

ADVERTENCIA: Si no se sigue la información de este manual con exactitud, puede producirse un incendio o una explosión y provocar daños a la propiedad, lesiones personales o la muerte.

- No almacene ni utilice gasolina ni otros vapores y líquidos inflamables en las proximidades de este artefacto ni de ningún otro artefacto.
- No almacene ningún cilindro de PL (petróleo líquido) no conectado para su uso en las proximidades de este artefacto ni de ningún otro artefacto.
- **QUÉ HACER SI DETECTA OLOR A GAS**
 - **No intente encender el artefacto.**
 - **Extinga cualquier llama expuesta.**
 - **Cierre el paso de gas al artefacto.**
- **NO DEJE EL CALENTADOR SIN SUPERVISIÓN O EN FUNCIONAMIENTO MIENTRAS DUERME.**

Éste es un calentador portátil con fuego a gas sin ventilación. Utiliza aire (oxígeno) del área en la que se utiliza. Se debe proporcionar aire de ventilación y de combustión adecuado. Consulte la página 2.

ADVERTENCIA:

⚠ LA SEGURIDAD ES IMPORTANTE PARA USTED Y PARA OTRAS PERSONAS.

ADVERTENCIA SOBRE PELIGROS

GENERALES:

- ⚠ NO CUMPLIR CON LAS PRECAUCIONES O INSTRUCCIONES QUE SE INCLUYEN CON EL CALENTADOR PUEDE OCASIONAR LA MUERTE, GRAVES LESIONES FÍSICAS Y DAÑO O PÉRDIDA DE BIENES COMO CONSECUENCIA DE UN INCENDIO, UNA EXPLOSIÓN, QUEMADURAS, ASFIXIA, ENVENENAMIENTO POR MONÓXIDO DE CARBONO O DESCARGA ELÉCTRICA.
- ⚠ EL CALENTADOR DEBERÁ SER USADO Y REVISADO SÓLO POR PERSONAS QUE COMPRENDAN Y PUEDAN SEGUIR LAS INSTRUCCIONES.
- ⚠ SI NECESITARA ASESORAMIENTO O INFORMACIÓN SOBRE EL CALENTADOR, COMO UN MANUAL DE INSTRUCCIONES, ETIQUETAS, ETC., COMUNÍQUESE CON EL FABRICANTE. LEA LAS INSTRUCCIONES ANTES DE OPERAR EL CALENTADOR.

ADVERTENCIA:

⚠ **EL MONÓXIDO DE CARBONO PUEDE CAUSAR LA MUERTE**
 EL USO DE UN CALENTADOR PORTÁTIL A GAS PARA CAMPAMENTO DENTRO DE UNA TIENDA, VEHÍCULO RECREATIVO, CÁMPER, AUTOMÓVIL, REFUGIO U OTRAS ÁREAS CERRADAS PUEDE PRODUCIR MONÓXIDO DE CARBONO MORTAL.

ADVERTENCIA:

⚠ **NO APTO PARA USO DOMÉSTICO NI EN VEHÍCULOS RECREATIVOS.**

ADVERTENCIA:

⚠ **PELIGRO DE INCENDIO, QUEMADURAS, INHALACIÓN Y EXPLOSIÓN. LOS COMBUSTIBLES SÓLIDOS, COMO MATERIALES DE CONSTRUCCIÓN, PAPEL O CARTÓN, DEBEN MANTENERSE A UNA DISTANCIA ADECUADA DEL CALENTADOR, SEGÚN SE RECOMIENDA EN LAS INSTRUCCIONES. NO UTILICE NUNCA EL CALENTADOR EN ESPACIOS QUE CONTENGAN O PUEDAN CONTENER COMBUSTIBLES VOLÁTILES O AEROTRANSPORTADOS, O PRODUCTOS COMO GASOLINA, SOLVENTES, DILUYENTE PARA PINTURAS, PARTÍCULAS DE POLVO O QUÍMICOS DESCONOCIDOS.**

ADVERTENCIA:

⚠ El Estado de California exige la publicación de la siguiente advertencia:
 LA COMBUSTIÓN GENERADA CUANDO SE UTILIZA ESTE PRODUCTO CONTIENE MONÓXIDO DE CARBONO, UN QUÍMICO QUE EL ESTADO DE CALIFORNIA RECONOCE COMO CAUSANTE DE CÁNCER Y MALFORMACIONES CONGÉNITAS (U OTROS DAÑOS REPRODUCTIVOS).
 ESTE PRODUCTO CONTIENE SUSTANCIAS QUÍMICAS QUE DE ACUERDO CON EL ESTADO DE CALIFORNIA PRODUCEN CÁNCER, DEFECTOS DE NACIMIENTO U OTROS DAÑOS REPRODUCTIVOS.

CONTENIDO

ADVERTENCIAS S-2

INFORMACIÓN SOBRE EL ENSAMBLE Y LA CONEXIÓN S-3

ADVERTENCIA SOBRE LA AUSENCIA DE OLOR..... S-4

INFORMACIÓN GENERAL S-5

PARA UN FUNCIONAMIENTO SEGURO S-5

VENTILACIÓN S-5

DISTANCIA MÍNIMA DE MATERIALES COMBUSTIBLES S-5

INSTRUCCIONES DE ENCENDIDO..... S-6

INSTRUCCIONES DE APAGADO Y ALMACENAMIENTO S-6

LISTA DE PIEZAS S-7

GARANTÍA S-8

INSTRUCCIONES PARA REALIZAR PEDIDOS DE PIEZAS S-8

El calentador es diseñado y aprobado para nosotros como, un calentador de construcción y de acuerdo con ANSI Z83.7-CSA 2.14. Compruebe con sus autoridades de seguridad de fuego locales si usted tiene alguna pregunta sobre aplicaciones.

Otros estándares gobiernan el uso de gases de combustible y productos que producen calor y aplicaciones específicas. Sus autoridades locales pueden aconsejarle sobre estos estándares.

INFORMACIÓN SOBRE EL ENSAMBLE Y LA CONEXIÓN

1. Los calentadores modelo MH15TS y MH30TS se empaican completamente ensamblados. Los cilindros (tanques) de propano no están incluidos en el modelo de calentadores.
2. Retire el calentador de la caja.
3. Use únicamente cilindros de gas LP de recuperación de vapor construidos para propano solamente (HD-5) y marcados de acuerdo con las especificaciones del Departamento de Transporte Estadounidense para cilindros de gas LP (DOT SPEC. 39).
4. El calentador sólo se debe utilizar con un tanque de gas licuado con extracción de vapor, equipado con una válvula POL estándar. No utilice el calentador en tanques que tengan una capacidad superior a 20 libras de gas licuado (50 libras de capacidad para agua).

5a. Modelo de quemador doble MH30TS (ver Figura 1).

- El soporte del cuello del tanque debe ensamblarse antes de poder colocar el calentador en el tanque de propano.
- Saque los tornillos que unen el soporte del encendedor Piezo a la placa central del colector y guárdelos para usarlos más tarde.
- Alinee los orificios para tornillo del soporte para anillo del tanque con los orificios de la placa central del colector de modo que el calentador quede apuntando hacia afuera una vez colocado sobre el cuello del cilindro.
- Fíjelo con los tonillos que sacó anteriormente, verificando que el encendedor Piezo quede entre el soporte del cuello del tanque y la placa central del colector.
- Coloque el calentador sobre el tanque con el soporte para el cuello del tanque sobre el cuello del tanque. La perilla del perno de montaje debe quedar hacia afuera del cuello del tanque.
- Ajuste manualmente la perilla del perno de montaje para sujetar firmemente el calentador al tanque. No ajuste en exceso.
- Asegúrese de que el regulador del calentador esté en posición "OFF" (apagado).
- Inserte el conector del regulador en la válvula del tanque y gírelo manualmente hacia la izquierda (en sentido antihorario) lo más que se pueda. No ajuste en exceso.

5b. Modelo de quemador simple MH15TS (ver Figura 2).

- Asegúrese de que el calentador mire hacia fuera del tanque.

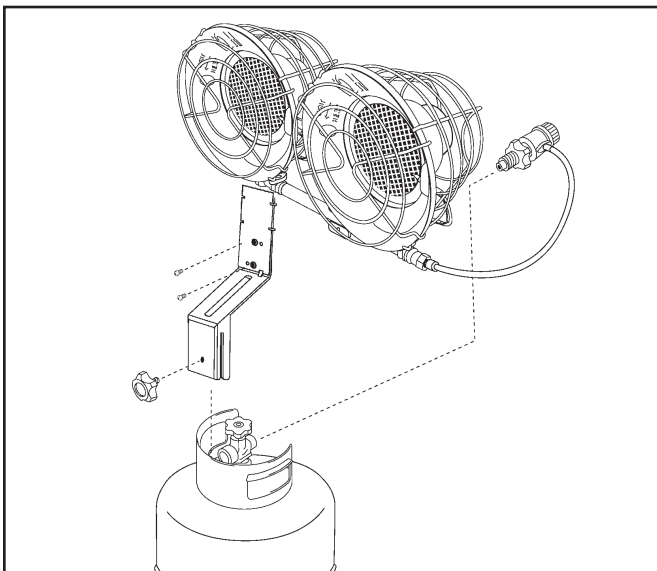


Figura 1.

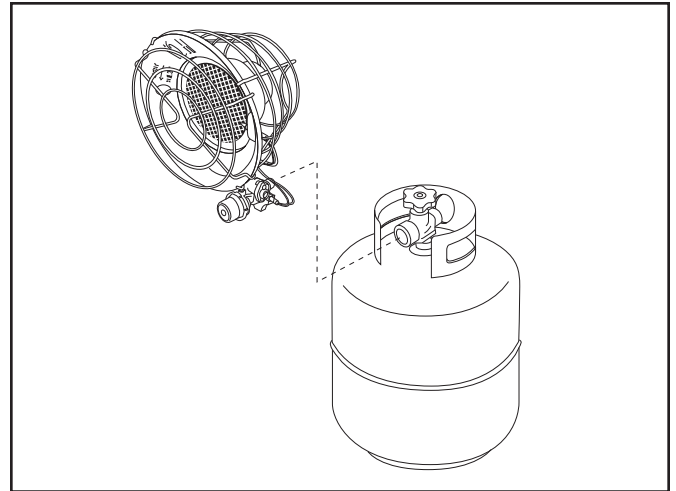


Figura 2a.

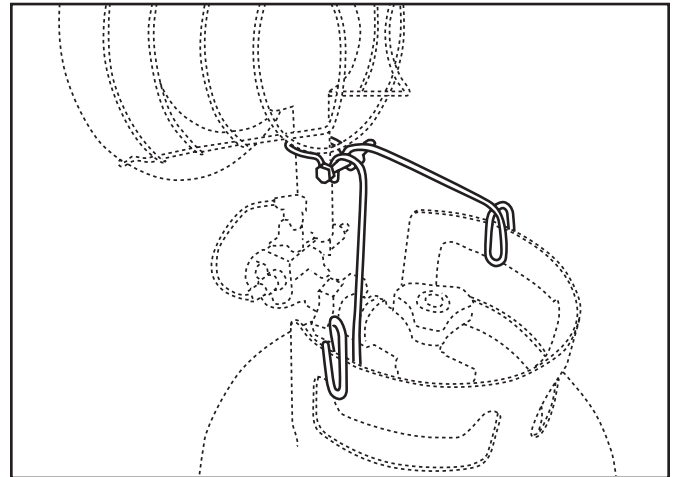


Figura 2b.

- Inserte el conector del regulador en la conexión de salida de la válvula del tanque y gírelo hacia la izquierda (en sentido antihorario) hasta ajustar totalmente. No ajuste en exceso. (Consulte la Figura 2a).
 - Coloque el soporte del calentador alrededor del tubo venturi y deslice los extremos de sujeción sobre el anillo del cilindro de propano. Utilice un tornillo de 1/4"-20 x 35 mm con tuerca de mariposa para fijar el soporte del calentador al tubo venturi. (Consulte la Figura 2b)
6. Utilizar sólo sobre una superficie estable y nivelada.
 7. Abra la válvula del tanque de propano lentamente.
 8. Revise todas las conexiones para asegurarse de que no haya fugas. Aplique una mezcla de 50% de jabón líquido y 50% de agua a todas las juntas. Si se forman burbujas, hay fugas en la conexión. Repare todas las fugas antes de continuar.

ADVERTENCIA

⚠ Nunca toque el calentador mientras se encuentra en funcionamiento para evitar lesiones. Para mover el calentador, sujete el cilindro de propano con cuidado.

9. El calentador debe ser inspeccionado cada vez que se use, y por una persona de mantenimiento calificada al menos una vez al año.
10. Antes de usar el calentador, se debe inspeccionar visualmente el ensamble de la manguera. Si se advierte abrasión o desgaste en exceso, o si la manguera está cortada, debe ser reemplazada antes de poner en funcionamiento el calentador. El ensamble de la manguera debe ser reemplazado por el repuesto Mr. Heater que figura en la lista de piezas.

11. La presión de entrada mínima es de 20 psi.
12. La presión de entrada máxima es de 20 psi (equivalente a una temperatura ambiente de 24 °C [75 °F]).

ADVERTENCIA SOBRE LA AUSENCIA DE OLOR

ADVERTENCIA

⚠ Peligro de asfixia

- No utilice este calentador para calefaccionar espacios habitados por personas.
- No utilizar en áreas sin ventilación.
- El flujo del aire de ventilación y de combustión no debe estar obstruido.
- Se debe proporcionar una ventilación adecuada para cumplir con los requisitos de aire de combustión del calentador que está utilizando.
- Consulte la sección de especificaciones del manual del calentador, la placa de identificación del calentador o comuníquese con la fábrica para determinar los requisitos de ventilación de aire de combustión del calentador.
- La falta de una ventilación adecuada provocará una combustión incorrecta.
- La combustión incorrecta puede conducir a la intoxicación por monóxido de carbono, lo que puede provocar lesiones graves o la muerte. Los síntomas de la intoxicación por monóxido de carbono pueden incluir dolores de cabeza, mareos y dificultad para respirar.

OLOR DEL GAS COMBUSTIBLE

El gas licuado y el gas natural poseen odorizantes artificiales agregados específicamente para la detección de fugas de gas combustible.

Si se produce una fuga de gas, podrá oler el gas combustible. Dado que el propano (licuado) es más pesado que el aire, debe detectar el olor a gas cerca del nivel del suelo. **CUALQUIER OLOR A GAS QUE DETECTE LE INDICA QUE DEBE TOMAR MEDIDAS INMEDIATAS.**

- No realice ninguna actividad que pudiera encender el gas combustible. No accione interruptores eléctricos de ningún tipo. No jale de ningún cable de suministro de energía ni de extensión. No encienda fósforos ni ningún otro tipo de llama. No use su teléfono.
- Retire a todos del edificio y lejos del área de inmediato.
- Cierre todas las válvulas de suministro de gas a tanques o cilindros de gas licuado propano, o la válvula principal de suministro de gas ubicada en el contador si utiliza gas natural.
- El gas licuado propano es más denso que el aire y puede permanecer en áreas bajas. Cuando tenga motivos para sospechar la presencia de una fuga de propano, manténgase alejado de todas las áreas bajas.
- Use el teléfono de su vecino y llame a su suministrador de gas combustible y al departamento de bomberos. No vuelva a ingresar al edificio o al área.
- Manténgase alejado del edificio y del área hasta que los bomberos y su suministrador de gas combustible indiquen que es seguro hacerlo.
- FINALMENTE, permita que el encargado del servicio del gas combustible y que los bomberos verifiquen el escape de gas. Indíqueles que ventilen el edificio y el área antes de volver a ingresar. El personal de servicio capacitado y adecuado debe reparar la fuga, controlar la existencia de otras fugas y luego volver a encender la aplicación.

PÉRDIDA DE LA INTENSIDAD DEL OLOR - FALTA DE DETECCIÓN DE OLOR

- Algunas personas no tienen buen olfato. Algunas personas no pueden detectar el olor del químico realizado por el hombre que se agrega al gas licuado propano o al gas natural. Usted debe determinar si puede distinguir ese olor en estos gases combustibles.
- Aprenda a reconocer el olor del gas licuado propano y del gas natural. Los vendedores de gas licuado propano gustosamente le facilitarán un panfleto para raspar y oler. Úselo para reconocer el olor al gas combustible.
- Fumar puede disminuir su capacidad de reconocer olores. Permanecer rodeado de un olor determinado por un período de tiempo puede afectar su sensibilidad a ese olor en particular. Los olores presentes en edificios donde permanecen encerrados animales pueden ocultar el olor al gas combustible.
- **El odorizante en el gas licuado propano y en el gas natural es invisible y la intensidad de su olor puede perder su intensidad bajo determinadas circunstancias.**
- En caso de una pérdida subterránea, el movimiento de gas por el suelo puede filtrar el odorizante.
- El olor del gas licuado propano puede variar su intensidad en distintos niveles. Como el gas licuado propano es más denso que el aire, podría haber más olor en los niveles más bajos.
- **Esté siempre atento al más mínimo olor a gas.** Si continúa detectando olor a gas, no importa cuán ínfima sea su intensidad, tómelo como una pérdida seria. Actúe de inmediato según lo indicado anteriormente.

ATENCIÓN: ¡PUNTOS IMPORTANTES PARA RECORDAR!

- El gas licuado propano tiene un olor distintivo. Aprenda a reconocer esos olores. (Consulte las secciones Olor del gas combustible y Pérdida de la intensidad del olor, a la izquierda y más arriba).
- Incluso si no se encuentra adecuadamente capacitado para el servicio y reparación del calentador, SIEMPRE esté alerta para reconocer los olores del gas licuado propano y del gas natural.
- Si no ha sido adecuadamente capacitado en la reparación y servicio del gas licuado propano, no intente encender el calentador, realizar servicios o reparaciones o realizar ajustes al calentador en el sistema de combustible de gas licuado propano.
- Una prueba periódica oliendo alrededor del calentador o en las juntas del calentador, por ejemplo manguera, conexiones, etc., es una buena práctica de seguridad en cualquier circunstancia. Si huele incluso una pequeña cantidad de gas, **CONTACTE DE INMEDIATO A SU SUMINISTRADOR DE GAS COMBUSTIBLE. ¡NO ESPERE!**

INFORMACIÓN GENERAL

- A. Los modelos MH15TS y MH30TS son artefactos de propano de alta presión y están diseñados para conectarse a un tanque de propano.
- B. Estos calentadores están equipados con una válvula de cierre automático de seguridad. Si el calentador deja de funcionar por cualquier motivo, el paso del gas se detiene automáticamente.
- C. El regulador o válvula de control con posición Hi-Med-Lo-Off (alto, medio, bajo y apagado) ofrece la máxima seguridad y practicidad. En la siguiente tabla se indica el consumo aproximado de BTU y las horas de funcionamiento que se pueden esperar de los cilindros de propano.
- D. Estos calentadores son para la calefacción temporal de edificios bajo construcción, modificaciones, o reparación.

Posición de la válvula	Modelo			
	MH15TS		MH30TS	
	Potencia en BTU	Horas con tanque de 9 Kg	Potencia en BTU	Horas con tanque de 9 Kg
Hi (alto)	15,000	28	30,000	14
Med (medio)	12,000	36	24,000	18
Lo (bajo)	10,000	43	10,000	43

Figura 3.

- E. Los modelos MH15TS y MH30TS vienen equipados con encendedores "Sparklite" para facilitar su encendido.

PARA UN FUNCIONAMIENTO SEGURO

- A. **LEA LAS INSTRUCCIONES DETENIDAMENTE:** Lea y siga las siguientes instrucciones. No permita que nadie que no haya leído las instrucciones ensamble, encienda, ajuste u opere el calentador.

ADVERTENCIA

- ⚠ MANTENGA EL CALENTADOR FUERA DEL ALCANCE DE LOS NIÑOS

- B. Utilice el artefacto sólo en conformidad con los códigos locales o, si no hubiera códigos locales, con las normas para el Almacenamiento y el Suministro de Gases Licuados del Petróleo, ANSI/NFPA 58 y CSA B 149.1, Código de Instalación de Gas Natural y Propano.
- C. **EL PROPANO ES MUY INFLAMABLE:** En el caso de existir una fuga, el propano se acumulará y podrá causar incendio. El gas propano está odorizado y su fuerte olor se detecta fácilmente. Nunca encienda fósforos ni produzca llamas o chispas eléctricas en un lugar cerrado que huelga a gas propano. Ventile bien el área, traslade el calentador al exterior y encuentre y repare el origen de la fuga antes de encender cualquier artefacto. Si no está seguro de seguir estas instrucciones, evacue el área de inmediato y busque ayuda.
- D. **FUGA DE GAS:** Si no puede reparar la fuga, no toque el calentador, siga las instrucciones de apagado y devuelva el calentador al vendedor o a la dirección que se indica en la última página.

ADVERTENCIA

- ⚠ NO UTILICE EL CALENTADOR EN TANQUES QUE TENGAN UNA CAPACIDAD SUPERIOR A 20 LIBRAS DE GAS LICUADO (50 LIBRAS DE CAPACIDAD PARA AGUA).

- E. **DETECCIÓN DE FUGAS:** Antes de cada uso del calentador, verifique todas las conexiones con solución jabonosa para comprobar que no haya fugas. NUNCA UTILICE LLAMAS PARA COMPROBAR SI EXISTEN FUGAS.
- F. **CONEXIÓN DEL CALENTADOR AL CILINDRO DE PROPANO:** Siempre conecte el calentador al cilindro al aire libre o en un área bien ventilada. NUNCA conecte el calentador a un cilindro cerca de una llama expuesta.
- G. **USO DEL CALENTADOR:** Siempre haga funcionar el calentador con el cilindro de propano en posición vertical sobre una superficie nivelada no combustible. NUNCA coloque el cilindro de costado cuando haga funcionar el calentador.
- H. **SUPERVISAR EL CALENTADOR:** No deje el calentador sin supervisión mientras está funcionando.
- I. **SIEMPRE ENCIENDA EL CALENTADOR CON UN FÓSFORO O CON UN ENCENDEDOR DE PEDERNAL:** NUNCA intente encender el calentador con un encendedor de chispa.
- J. **NO TOCAR:** Si el calentador no funciona correctamente, por ejemplo, si calienta poco o nada cuando funciona en posición "Hi", o por cualquier otro motivo, NO INTENTE REPARARLO O TOCARLO. Cualquier tipo de alteración puede hacer peligroso

e inseguro el uso del calentador. Devuelva el calentador al vendedor o a la dirección que se indica en la última página para su reparación o reemplazo.

- K. **PARA EL ALMACENAMIENTO:** La válvula reguladora Hi-Med-Lo-Off siempre debe estar en posición "off" (apagado) cuando el calentador no se utiliza. Antes de manipularlo y guardarlo, espere al menos 15 minutos para que se enfríe. Desconecte el calentador del cilindro de propano antes de guardarlo. NO guarde cilindros de propano en un lugar cerrado ni cerca de llamas expuestas o fuentes de calor.
- L. **NO TRANSPORTE NI MUEVA EL ARTEFACTO MIENTRAS ESTÁ EN FUNCIONAMIENTO. SIGA LAS INSTRUCCIONES DE APAGADO Y ALMACENAMIENTO PARA TRANSPORTAR O MOVER EL ARTEFACTO.**

VENTILACIÓN

- A. **ADVERTENCIA:** El calentador es un artefacto sin ventilación y DEBE utilizarse SOLAMENTE en un área bien ventilada. NUNCA intente operar el calentador dentro de un vehículo, cámper o lugar cerrado.
- B. **PARA USO INTERIOR Y EXTERIOR NO RESIDENCIAL.** Todo proceso de combustión necesita y consume oxígeno, y produce monóxido de carbono. **EL CALENTADOR SE DEBE UTILIZAR CON LA VENTILACIÓN ADECUADA.** No lo utilice dentro de una casa, cámper o tienda, ni tampoco dentro de un área sin ventilación o herméticamente cerrada.
- C. **ADVERTENCIA:** Proporcione abundante ventilación. El calentador consume aire (oxígeno). No utilice el calentador en estructuras sin ventilación para evitar poner en riesgo su vida. Proporcione ventilación adicional para todos los ocupantes y artefactos adicionales que quemen combustible.
- D. El flujo del aire de ventilación y de combustión no debe estar obstruido.

DISTANCIA MÍNIMA DE MATERIALES COMBUSTIBLES

- A. Mientras funciona, las superficies del calentador están sumamente calientes. Mantenga las bolsas de dormir, la ropa y todos los materiales combustibles alejados del calentador a la distancia mínima que se indica en la figura 4.

Potencia en BTU/HR.		Procedimiento de funcionamiento normal	Distancia de combustibles				
N.º de modelo	Gas propano		De línea central de cal. al suelo	FRENTE	LADOS	POSTERIOR	TECHO
MH15TS	15,000	Vertical	61 cm	76 cm	76 cm	76 cm	76 cm
MH30TS	30,000	Vertical	61 cm	76 cm	76 cm	76 cm	91 cm

Figura 4.

- B. **ADVERTENCIA:** Para evitar lesiones o daños a la propiedad, nunca deje ropa, tiendas u otros materiales combustibles a una distancia inferior a 30" del frente del calentador. El calentador se debe colocar como mínimo a 61 cm por encima del nivel del suelo cuando está en uso. Nunca deje funcionando el calentador mientras duerme.
- C. **ADVERTENCIA:** Nunca dirija la salida de calor del calentador hacia tanques de propano que se encuentren dentro de los 6 metros de distancia.

INSTRUCCIONES DE ENCENDIDO

- A. Antes de intentar encender el calentador, verifique todas las conexiones con solución jabonosa. **NUNCA UTILICE FÓSFOROS PARA COMPROBAR SI EXISTEN FUGAS.** Si detecta una fuga de gas, no intente reparar o usar el calentador. Devuelva el calentador al vendedor o a la dirección que se indica en la última página.

- B. Combustible: el calentador sólo se debe usar con un cilindro de gas licuado con extracción de vapor. EL TANQUE DEBE ESTAR EQUIPADO CON UNA VÁLVULA POL ESTÁNDAR.

ADVERTENCIA

- ⚠ USE SÓLO GAS PROPANO HD.5. NO UTILICE NINGÚN OTRO TIPO DE COMBUSTIBLE. SI TIENE PREGUNTAS SOBRE EL COMBUSTIBLE, CONSULTE A SU VENDEDOR DE PROPANO.

- C. Gire la perilla reguladora "Hi-Med-Lo-Off" del calentador a la posición "Med" (hacia la izquierda).
- D. Para encender el MH15TS, presione la válvula del cierre de seguridad. Mientras mantiene presionado el botón de la válvula de seguridad, presione inmediatamente el botón de encendido "Sparklite" (repita esta acción hasta que el calentador se encienda). Una vez encendido el calentador, mantenga presionado el botón de la válvula de seguridad durante 30 segundos, y luego suéltelo lentamente.

ENCENDIDO OPCIONAL: para encender el calentador, coloque un fósforo encendido dentro del orificio del reflector posterior, donde dice "light here" (encender aquí). (Ver la figura 5) A CONTINUACIÓN presione el botón de la válvula del cierre de seguridad. Una vez encendido el calentador, mantenga presionado el botón de la válvula durante 30 segundos, y luego suéltelo lentamente. **AVISO: NO PRESIONE EL BOTÓN DE LA VÁLVULA ANTES DE INSERTAR EL FÓSFORO ENCENDIDO. NUNCA SE PARE DELANTE DEL CALENTADOR AL ENCENDERLO. REPITA EL PASO "D" PARA CADA QUEMADOR.**

- E. Para encender el quemador en el modelo MH30TS, presione el botón de la válvula del cierre de seguridad al mismo tiempo que presiona el botón del encendedor "Sparklite". Siga presionando el botón del encendedor "Sparklite" hasta que se encienda el quemador. Una vez encendido el quemador, mantenga presionado el botón de la válvula durante 30 segundos, y luego suéltelo lentamente. Repita el paso "E" para cada quemador del calentador modelo MH30TS. (Ver Figura 6)
- F. Si el quemador no se enciende dentro de los 30 segundos, mueva la perilla del regulador del calentador a la posición de "OFF" (apagado, en el sentido de las agujas del reloj) y deje disipar el gas durante al menos cinco minutos antes de volver a intentar encenderlo.
- G. NOTA: si se atasca el orificio, lo que podría notar si hay un bajo volumen de gas mientras el equipo funciona en "Hi" (Alto) con un cilindro lleno, o si el calentador dejara de funcionar correctamente por cualquier razón, devuelva el calentador al distribuidor o a la dirección que aparece en la última página para su reparación o para cambiarlo por otro. NO INTENTE REPARAR EL CALENTADOR NI HACERLE MODIFICACIONES.
- H. Ajuste el nivel de calor girando la perilla a la posición deseada.
- I. **NO USE ESTE CALENTADOR PARA COCINAR.**

INSTRUCCIONES DE APAGADO Y ALMACENAMIENTO

- A. La válvula de encendido y apagado del tanque de propano SIEMPRE debe estar en la posición "OFF" (apagado) cuando el calentador no se utiliza.
- B. Al apagar el calentador, gire la perilla reguladora a la posición "OFF" (hacia la derecha).
- C. **AVISO:** Luego de apagar la unidad, el calentador quedará sumamente caliente. Antes de manipularlo y guardarlo, espere al menos 15 minutos para que se enfríe. Desconecte el calentador del tanque antes de manipularlo y guardarlo. RECUERDE: el accesorio POL es una rosca izquierda.
- D. **ALMACENAMIENTO DEL CALENTADOR:** El calentador sólo puede guardarse bajo techo si se desconecta el cilindro y se extrae del calentador. Los cilindros deben guardarse al aire libre, fuera del alcance de los niños y no se deben guardar en una construcción, garaje ni en ninguna área cerrada. Guarde los cilindros sólo de conformidad con las Normas para el Almacenamiento y el Suministro de Gases Licuados del Petróleo, ANSI/NFPA 58 y CSA B149.1, Código de Instalación de Gas Natural y Petróleo.
- E. Consulte la página 7 para ver la lista de piezas.

MANTENIMIENTO

- A. Retire el tornillo del soporte de retención de la termocupla (3) en la parte posterior del ensamble del quemador (2). Retire el soporte.
- B. Observe la posición de la termocupla (3) en las presillas de retención de la parte posterior del ensamble del quemador (2). Retire la termocupla.
- C. Retire el tornillo de mariposa (18) y la arandela de fibra (19) que fijan la válvula de seguridad (6) al ensamble del quemador (2).
- D. Retire la válvula de seguridad (6) del ensamble del quemador (2).
- E. Retire el orificio del quemador (20) de la válvula de seguridad (6).
- F. Limpie el orificio del quemador con aire comprimido (a 80 psi como máximo).
- G. Dirija el aire comprimido por el tubo venturi hacia el pleno del quemador (2) de modo que el polvo acumulado en la rejilla de la parrilla se disperse hacia fuera. Mantenga el rostro alejado de la rejilla de la parrilla.
- H. Vuelva a ensamblar el calentador en el orden inverso al de desarmado.

Modelo: MH15TS

Figura 5

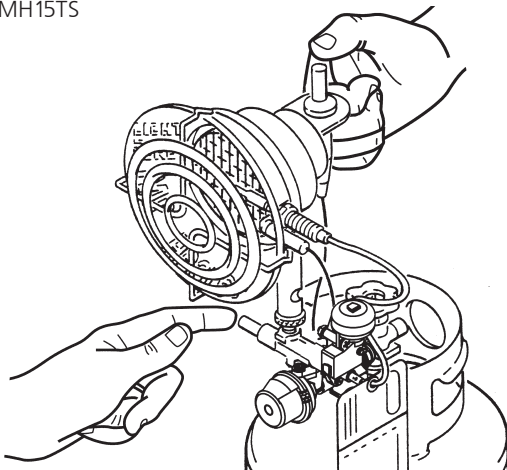
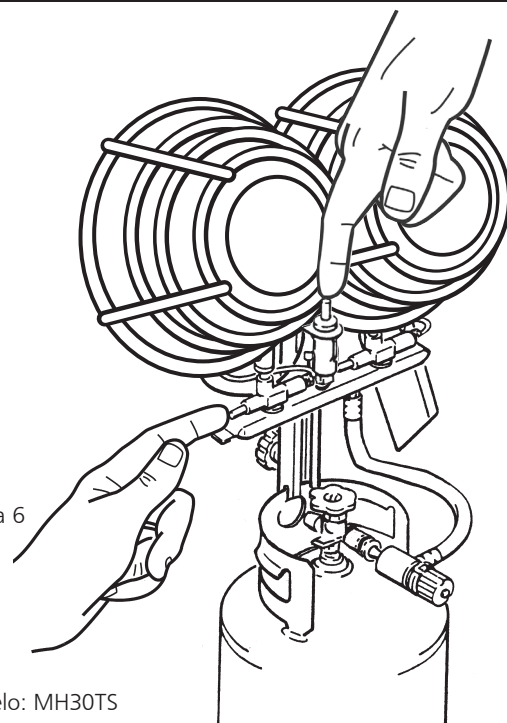
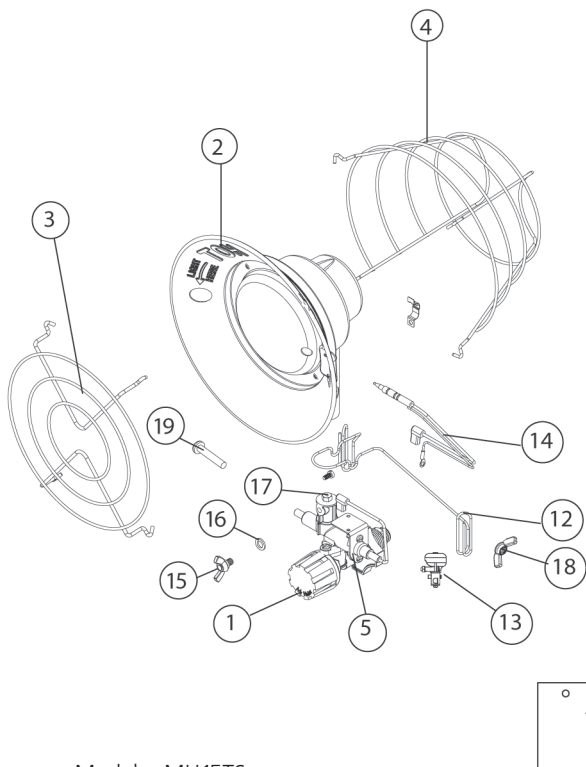


Figura 6

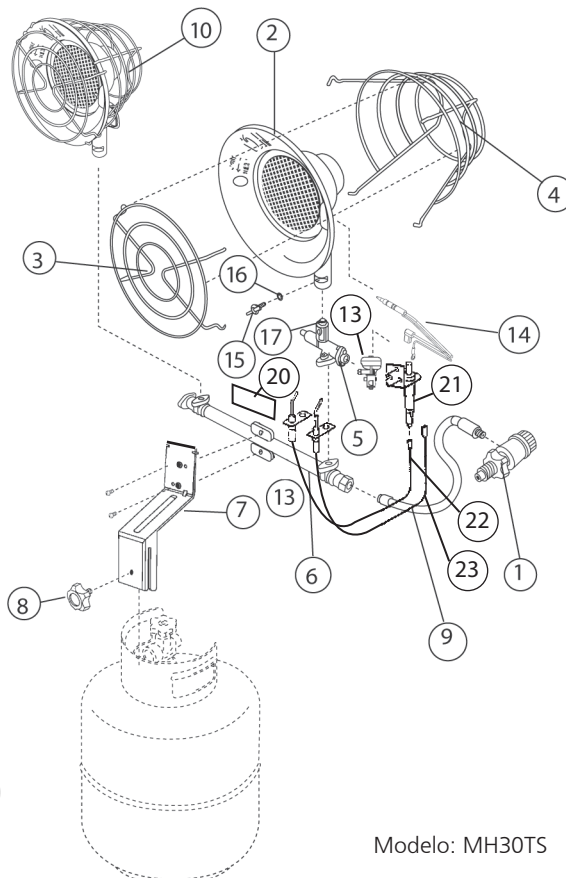


Modelo: MH30TS

Mr. Heater • Calentador infrarrojo a gas para tanque • Modelos N.º MH15TS y MH30TS



Modelo: MH15TS



Modelo: MH30TS

Artículo N.º	Descripción	MH15TS		MH30TS	
		Número	Cant.	Número	Cant.
1	Regulador	17314	1	17314	1
2	Quemador	42113	1	42110	2
3	Cubierta	17413	1	17413	2
4	Cubierta posterior	17418	1	17418	2
5	Válvula de seguridad	17416	1	17416	2
6	Colector	--	--	42666	1
7	Soporte del cuello del tanque	--	--	42618	1
8	Perilla del perno de montaje	--	--	17415	1
9	Manguera de Gas	--	--	17411	1
10	Conjunto del quemador con protección	17419	1	17419	2
11	Etiqueta, modelo/instrucciones	42103	1	42656	1
12	Soporte de alambre	17353	1	--	--
13	Interruptor	42116	1	42116	2
14	Conjunto de termocupla/cable del interruptor	17349	1	17349	2
15	Perno mariposa	17342	1	17342	2
16	Arandela de fibra	17341	1	17341	2
17	Orificio (no se vende por separado)	--	1	--	2
18	Tuerca mariposa	17324	1	--	--
19	Perno	17323	1	--	--
20	Placa de montaje del interruptor	--	--	73234	1
21	Encendedor Sparklite	73235	1	73235	1
22	Electrodo de chispa/base	42136	1	42136	1
23	Electrodo de chispa/lateral	--	--	42164	1



INSTRUCCIONES DE FUNCIONAMIENTO Y MANUAL DEL USUARIO

Modelos N.º

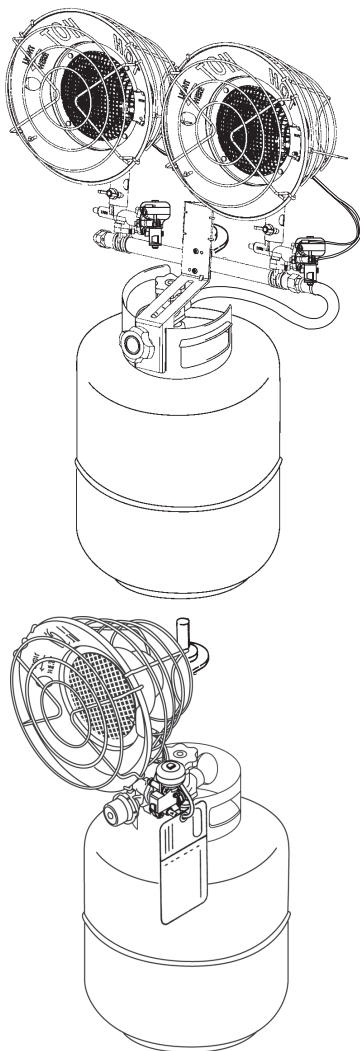
MH15TS
MH30TS

Calentador infrarrojo a gas para tanque

NO INCLUYE CILINDRO

Números de serie:

Modelo	Números que comienzan con
MH15TS	CL-242105-12001001
MH30TS	CL-242655-12001001



ADVERTENCIA:

UTILICE ÚNICAMENTE REPUESTOS DEL FABRICANTE. EL USO DE CUALQUIER OTRO REPUESTO PUEDE CAUSAR LESIONES O LA MUERTE. LOS REPUESTOS SÓLO ESTÁN DISPONIBLES DIRECTAMENTE DE FÁBRICA Y DEBEN SER INSTALADOS POR UNA AGENCIA DE REPARACIÓN CALIFICADA.

INFORMACIÓN PARA REALIZAR PEDIDOS DE PIEZAS:

COMPRAS: Los accesorios pueden comprarse en cualquier distribuidor local de productos Mr. Heater, o directamente de la fábrica.

PARA OBTENER INFORMACIÓN SOBRE EL MANTENIMIENTO

Llame al número gratuito 800-251-0001

www.mrheater.com

Nuestro horario de atención es de lunes a viernes de 08:30 a 17:00, hora del este. En todas las comunicaciones recuerde incluir el número de modelo, la fecha de compra y la descripción del problema.

GARANTÍA LIMITADA

Mr. Heater, Inc. garantiza que sus calentadores y accesorios no presentan defectos de material ni de mano de obra por un período de 1 año a partir de la fecha de compra. Mr. Heater, Inc. reparará o reemplazará este producto sin cargo si se prueba que presenta falla dentro del plazo de 1 año y es devuelto a Mr. Heater, Inc. a cargo del cliente con el comprobante de compra dentro del período de la garantía.

Mr. Heater, Inc. se reserva el derecho de realizar cambios en cualquier momento, sin aviso u obligación, en los colores, las especificaciones, los accesorios, los materiales y los modelos.

REGISTRO DE PRODUCTO: Gracias por su compra.

Por favor entre al sistema a <http://www.egiregistration.com> para registrar su producto.

Mr. Heater, Inc., 4560 W. 160TH ST., CLEVELAND, OHIO 44135 • 800-251-0001

Mr. Heater es una marca registrada de Mr. Heater, Inc.

© 2009, Mr. Heater, Inc. Todos los derechos reservados



GUIDE D'UTILISATION ET MANUEL DU PROPRIÉTAIRE

Modèle #

MH15TS
MH30TS

LISEZ ATTENTIVEMENT LES INSTRUCTIONS : Lisez et observez toutes les instructions. Conservez les instructions dans un endroit sûr pour vous y référer ultérieurement. Interdisez à quiconque n'ayant pas lu les présentes instructions d'assembler, d'allumer, de régler ou de faire fonctionner cet appareil de chauffage.

CHAUFFAGE INFRAROUGE À BOUTEILLE DE GAZ

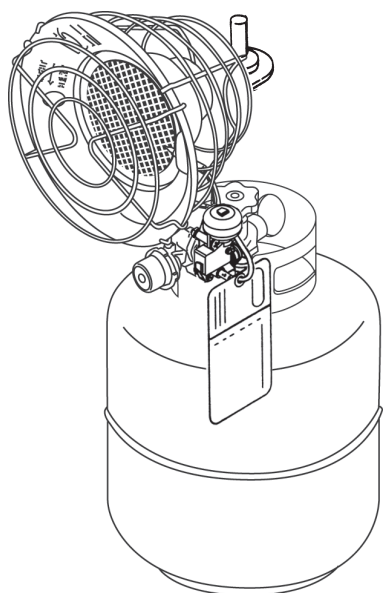
BOUTEILLE NON INCLUE

Numéros de série :

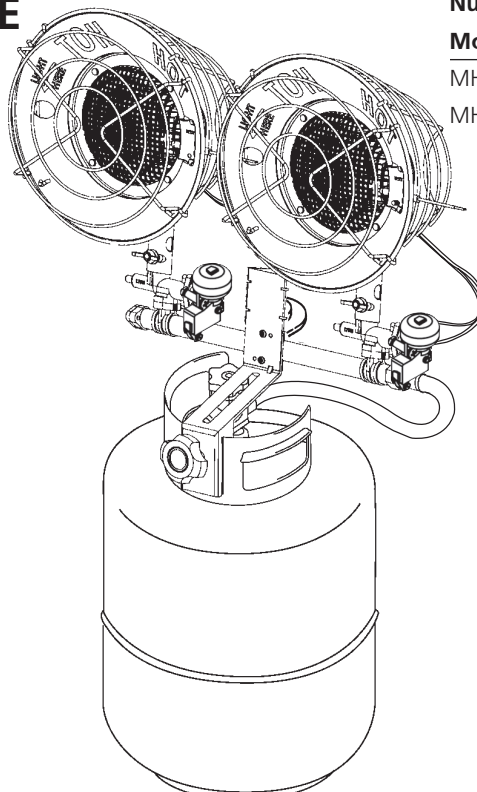
Modèle Numéros commençant par

MH15TS CL-242105-12001001

MH30TS CL-242655-12001001



MH15TS



MH30TS

LANGUES

ANGLAIS

Pages E1 — E8

ESPAGNOL

Pages S1 — S8

▶ FRANÇAIS

Pages F1 — F8

AVERTISSEMENT : Le fait de ne pas respecter à la lettre les instructions du présent guide risque d'entraîner une explosion ou un incendie causant des dommages matériels, des blessures et des pertes de vie.

- N'entreposez pas et n'utilisez pas d'essence ou d'autres liquides ou vapeurs inflammables à proximité de ce type d'appareil.
- Aucune bonbonne de propane liquéfié (GPL) non raccordée pour utilisation ne doit se trouver à proximité de cet appareil, ni d'aucun autre appareil.
- **EN PRÉSENCE D'UNE ODEUR DE GAZ**
 - **Ne tentez pas d'allumer l'appareil de chauffage.**
 - **Éteignez toute flamme nue.**
 - **Fermez l'alimentation en gaz de l'appareil.**
- NE LAISSEZ PAS L'APPAREIL SANS SURVEILLANCE ET NE LE FAITES JAMAIS FONCTIONNER PENDANT VOTRE SOMMEIL.

Cet appareil de chauffage portatif alimenté au gaz n'est pas ventilé. Il utilise l'oxygène de l'air ambiant. Une circulation d'air adéquate doit être assurée pour la combustion et la ventilation. Voir page 2.

AVERTISSEMENT :

⚠ VOTRE SÉCURITÉ ÉTANT IMPORTANTE POUR TOUS,

AVERTISSEMENT GÉNÉRAL DE DANGER :

- ⚠ LE NON-RESPECT DES MESURES DE PRÉVENTION ET INSTRUCTIONS FOURNIES AVEC CET APPAREIL DE CHAUFFAGE RISQUE DE CAUSER LA MORT, DES BLESSURES GRAVES ET DES DOMMAGES OU DES PERTES MATÉRIELLES RÉSULTANT D'INCENDIE, D'EXPLOSION, DE BRÛLURE, D'ASPHYXIE, D'INTOXICATION AU MONOXYDE DE CARBONE OU D'ÉLECTROCUTION.
- ⚠ SEULES LES PERSONNES APTES À COMPRENDRE ET À RESPECTER LES INSTRUCTIONS DEVRAIENT UTILISER OU EFFECTUER L'ENTRETIEN DE CET APPAREIL DE CHAUFFAGE.
- ⚠ SI VOUS AVEZ BESOIN D'AIDE OU D'INFORMATIONS AU SUJET DE L'APPAREIL DE CHAUFFAGE (MANUEL D'INSTRUCTIONS, ÉTIQUETTES, ETC.), VEUILLEZ COMMUNIQUER AVEC LE FABRICANT. VEUILLEZ LIRE LES INSTRUCTIONS AVANT D'UTILISER CET APPAREIL DE CHAUFFAGE.

AVERTISSEMENT :

- ⚠ LE MONOXYDE DE CARBONE PEUT VOUS TUER L'UTILISATION D'UN APPAREIL DE CHAUFFAGE DE CAMPING PORTATIF À GAZ DANS UNE TENTE, UN VÉHICULE RÉCRÉATIF, UNE ROULOTTE, UNE VOITURE, UN ABRI OU TOUT AUTRE ENDROIT FERMÉ PRODUIT DU MONOXYDE DE CARBONE, UN GAZ MORTEL.

AVERTISSEMENT :

- ⚠ NON CONÇU POUR UNE UTILISATION DANS LA MAISON OU DANS UN VÉHICULE RÉCRÉATIF.

AVERTISSEMENT :

- ⚠ DANGER D'INCENDIE, D'EXPLOSION, DE BRÛLURE ET D'INTOXICATION. CONSERVEZ LES MATÉRIAUX COMBUSTIBLES TELS QUE LES MATÉRIAUX DE CONSTRUCTION, LE PAPIER ET LE CARTON, À UNE DISTANCE SÉCURITAIRE DE L'APPAREIL DE CHAUFFAGE COMME LE RECOMMANDENT LES INSTRUCTIONS. N'UTILISEZ JAMAIS L'APPAREIL DE CHAUFFAGE DANS UN LOCAL QUI CONTIENT OU RISQUE DE CONTENIR DES PARTICULES COMBUSTIBLES EN SUSPENSION DANS L'AIR OU DES PRODUITS TELS QUE DE L'ESSENCE, DES SOLVANTS, DU DILUANT À PEINTURE, DES PARTICULES DE POUSSIÈRE OU DES PRODUITS CHIMIQUES INCONNUS.

AVERTISSEMENT :

Avertissement de l'État de Californie :
L'UTILISATION DE CET APPAREIL LIBÈRE DES SOUS-PRODUITS DE COMBUSTION CONTENANT DU MONOXYDE DE CARBONE, UN PRODUIT CHIMIQUE RECONNU PAR L'ÉTAT DE CALIFORNIE COMME CAUSE DE CANCER ET D'ANOMALIES CONGÉNITALES (OU AUTRES RISQUES POUR LA REPRODUCTION).

CET APPAREIL CONTIENT DES PRODUITS CHIMIQUES RECONNUS PAR L'ÉTAT DE CALIFORNIE COMME POUVANT CAUSER LE CANCER ET DES MALFORMATIONS CONGÉNITALES OU AUTRES DOMMAGES AU SYSTÈME REPRODUCTEUR.

TABLE DES MATIÈRES

AVERTISSEMENTS.....	F-2
INFORMATIONS SUR L'ASSEMBLAGE ET LE RACCORDEMENT	F-3
MESSAGE D'AVERTISSEMENT SUR LA DISSIPATION DE L'ODEUR.....	F-4
RENSEIGNEMENTS GÉNÉRAUX.....	F-4
POUR UN FONCTIONNEMENT SÉCURITAIRE.....	F-5
VENTILATION.....	F-5
ÉCART MINIMAL ENTRE L'APPAREIL ET TOUTE MATIÈRE COMBUSTIBLE..	F-5
INSTRUCTIONS D'ALLUMAGE.....	F-6
INSTRUCTIONS D'EXTINCTION ET DE RANGEMENT	F-6
LISTE DES PIÈCES.....	F-7
GARANTIE.....	F-8
INSTRUCTIONS POUR LA COMMANDE DE PIÈCES	F-8

Le chauffage est conçu et approuvé pour nous comme, un chauffage de construction et conformément à ANSI Z83.7-CSA 2.14. Vérifiez avec votre autorité de sécurité de feu locale si vous avez des questions à propos des applications.

D'autres normes gouvernent l'utilisation de gaz du combustible et produits produisant chaleur et applications spécifiques. Vos autorités locales peuvent vous conseiller de ces normes.

INFORMATIONS SUR L'ASSEMBLAGE ET LE RACCORDEMENT

1. Les appareils de chauffage modèles MH15TS et MH30TS sont complètement emballés. Les bonbonnes de propane (réservoirs) ne sont pas fournies avec ce modèle d'appareil de chauffage.
2. Déballiez l'appareil de chauffage.
3. Utilisez uniquement des bonbonnes de gaz liquéfié à évacuation sous forme de vapeur fabriquées spécifiquement pour le gaz propane (HD-5) arborant une étiquette indiquant les spécifications des bonbonnes de gaz liquéfié du département des transports de É.-U (DOT SPEC. 39).
4. Cet appareil de chauffage doit être uniquement utilisé avec une bonbonne de gaz liquéfié à évacuation sous forme vapeur équipée d'une valve POL standard. N'utilisez pas cet appareil de chauffage avec des bonbonnes de gaz liquéfié de plus de 20 lb (capacité en eau de 50 lb).

5a. Modèle à double brûleur MH30TS (voir la figure 1.)

- Le collet de la bonbonne doit être monté avant que l'appareil de chauffage ne soit raccordé à la bonbonne de propane.
- Enlevez les vis qui maintiennent le support de l'allumeur piézo à la plaque centrale du collecteur et les conserver pour une utilisation ultérieure.
- Alignez les trous des boulons du support du collet de la bonbonne avec ceux de la plaque centrale du collecteur pour que l'appareil de chauffage soit dirigé vers l'extérieur une fois fixé au collet de la bonbonne.
- Fixez avec l'aide des vis précédemment enlevées, en vous assurant que le support de l'allumeur piézo est situé entre le support de collier de bonbonne et la plaque centrale du collecteur.
- Placez l'appareil de chauffage sur la bonbonne en plaçant le support du collet de la bonbonne sur le collet de la bonbonne. Le bouton de serrage des boulons de fixation doit être positionné à l'extérieur du collet de la bonbonne.
- Sécurisez la fixation à la bonbonne en serrant à la main le bouton de serrage des boulons de fixation. Ne serrez pas trop fort.
- Assurez-vous que la valve de régulation de l'appareil de chauffage est en position d'arrêt (OFF).
- Insérez le connecteur de la valve de régulation dans la valve de la bonbonne et vissez à gauche (sens inverse des aiguilles d'une montre) à la main, le plus loin possible. Ne serrez pas trop fort.

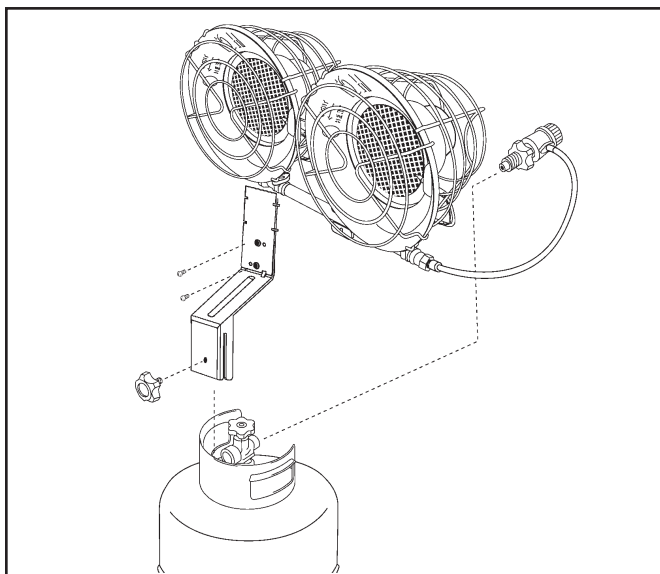


Figure 1.

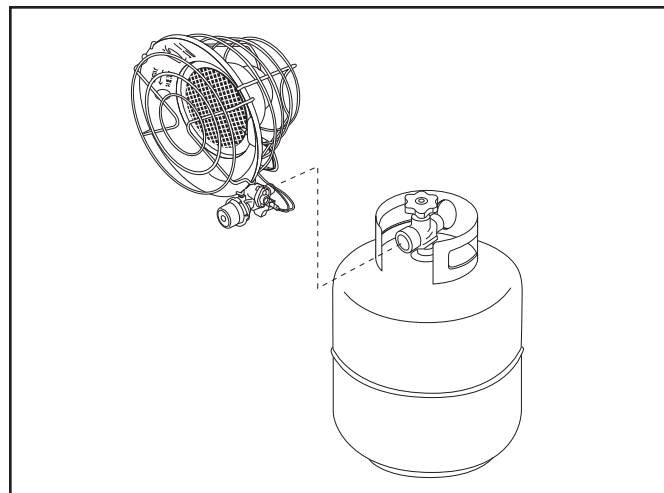


Figure 2a.

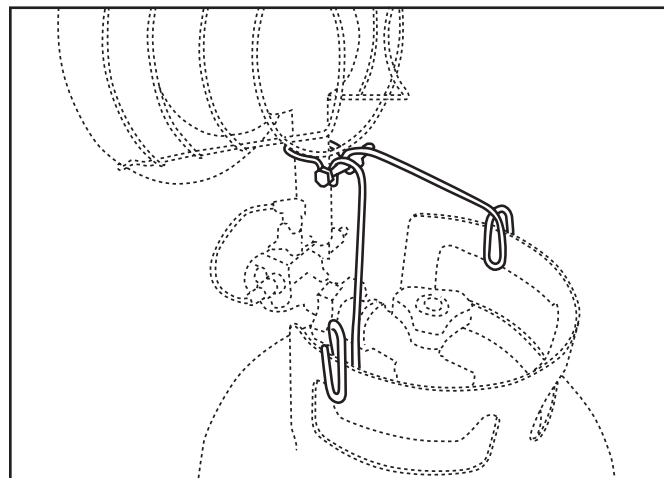


Figure 2b.

5b. Modèle à simple brûleur MH15TS (voir la figure 2.)

- Assurez-vous que l'appareil de chauffage dirige la chaleur loin de la bonbonne de gaz propane.
 - Insérez le connecteur de la valve de régulation dans le raccord de sortie de la valve de la bonbonne et vissez à gauche (sens inverse des aiguilles d'une montre) aussi loin que possible. Ne serrez pas trop fort. (Voir Figure 2a)
 - Placez le support de l'appareil de chauffage autour du tube venturi et faites glisser les extrémités en les clipsant sur le collet de la bonbonne de propane. Utilisez la vis 1/4" 20x35mm et l'écrou papillon pour fixer le support de l'appareil de chauffage sur le tube venturi. (Voir Figure 2b)
6. L'appareil doit toujours être sur une surface plane et stable.
 7. Ouvrez lentement la valve de la bonbonne de propane.
 8. Vérifiez l'étanchéité de tous les raccords. Appliquez un mélange à 50/50 d'eau et de savon liquide sur tous les joints. La formation de bulles indique une fuite sur le raccord. Réglez les problèmes de fuite avant de poursuivre.

ATTENTION

⚠ Pour éviter les blessures, ne touchez jamais à l'appareil de chauffage pendant qu'il fonctionne. Déplacez l'appareil de chauffage en saisissant la bonbonne de propane avec précaution.

9. L'appareil de chauffage doit être inspecté avant chaque utilisation et au moins une fois par an par un technicien d'entretien qualifié.

10. L'ensemble des flexibles doit être inspecté visuellement avant toute utilisation de l'appareil de chauffage. Si les flexibles présentent une abrasion ou une usure excessive, une déchirure ou une coupure, ils doivent être remplacés avant que l'appareil chauffage puisse être remis en service. Utilisez uniquement un ensemble de flexibles de rechange de Mr. Heater comme indiqué dans la liste des pièces.
11. La pression minimale d'entrée des gaz est de 20 psi.
12. La pression maximale d'entrée des gaz est de 120 psi (équivalent à une température ambiante de 24 °C [75 °F]).

MESSAGE D'AVERTISSEMENT SUR LA DISSIPATION DE L'ODEUR

ATTENTION

⚠ Risque d'asphyxie

- N'utilisez pas ce chauffage pour chauffer une zone habitée.
- Ne l'utilisez pas dans une zone sans aération.
- Les flux d'air de combustion et de ventilation ne doivent jamais être obstrués.
- Une ventilation adéquate est nécessaire pour les besoins en comburant (air) de ce chauffage.
- Reportez-vous à la section « spécifications » du manuel du chauffage, à la documentation technique ou contactez le fabricant pour déterminer les besoins en ventilation de ce chauffage.
- Le manque d'aération entraîne une combustion incomplète.
- Une combustion incomplète peut entraîner une intoxication au monoxyde de carbone provoquant des blessures graves ou la mort. Les symptômes d'une intoxication au monoxyde de carbone sont des maux de tête, des vertiges et des difficultés pour respirer.

ODEUR DES GAZ COMBUSTIBLES

Le GPL et le gaz naturel contiennent des odorants de synthèse ajoutés spécialement pour détecter les fuites de gaz combustibles. S'il y a une fuite de gaz, vous devriez être en mesure de la sentir. Comme le Propane est plus lourd que l'air, vous devriez sentir son odeur à même le sol. LA MOINDRE ODEUR DE GAZ EST LE SIGNAL POUR AGIR IMMÉDIATEMENT!

- Ne faites rien qui pourrait allumer le combustible. N'utilisez pas d'interrupteur électrique. N'utilisez pas de batterie ou de câbles. N'allumez pas d'allumette ou n'importe quelle autre source de flamme. N'utilisez pas votre téléphone.
 - Faites évacuer le bâtiment et éloigner les personnes immédiatement.
 - Fermez toutes les bouteilles de propane (GPL) ou les valves d'approvisionnement en carburant, ou la valve d'arrivée principale située au compteur si vous utilisez du gaz naturel.
 - Le propane est plus lourd que l'air et peut s'accumuler dans les zones basses. Quand vous avez une raison de suspecter une fuite de gaz, évitez les zones basses.
 - Utilisez le téléphone de votre voisin et appelez votre fournisseur de gaz et les pompiers. Ne rentrez pas à nouveau dans le bâtiment ou la zone.
 - Restez en dehors du bâtiment et éloigné de la zone tant qu'elle n'a pas été sécurisée par les pompiers et votre fournisseur de gaz.
 - ENFIN, laissez le personnel de votre fournisseur de gaz et les pompiers chercher le gaz échappé. Faites-leur aérer le bâtiment ou la zone avant de revenir.
- Des techniciens correctement formés doivent réparer chaque fuite, vérifier l'absence d'autres fuites, et ensuite rallumer votre appareil.

DISSIPATION D'ODEUR - AUCUNE ODEUR DÉTECTÉE

- Certaines personnes ne peuvent pas bien sentir. Certaines personnes ne peuvent pas sentir l'odeur des substances de synthèse ajoutées au propane (GPL) ou au gaz naturel. Vous devez déterminer si vous pouvez sentir les odorants de ces gaz combustibles.
- Apprenez à reconnaître l'odeur du propane (GPL) et du gaz naturel. Les fournisseurs locaux de gaz seront ravis de vous faire découvrir et sentir un échantillon. Profitez-en pour vous familiariser avec les odeurs de gaz combustibles.
- Fumer peut diminuer votre capacité à sentir. Être en présence d'une odeur pendant une longue période peut affecter votre sensibilité à cette odeur particulière. Les odeurs présentes dans les bâtiments abritant des animaux peuvent masquer les odeurs de gaz.
- **L'odorant dans le propane (GPL) et dans le gaz naturel est incolore et l'intensité de son odeur peut disparaître dans certaines circonstances.**
- S'il y a une fuite souterraine, le déplacement du gaz à travers le sol peut filtrer l'odorant.
- L'odeur du propane (GPL) peut changer en intensité à différents niveaux. Comme le propane (GPL) est plus lourd que l'air, il peut y avoir plus d'odeur dans les bas niveaux.
- **Soyez toujours être attentif à la plus légère odeur de gaz.** Si vous continuez à détecter une odeur de gaz, même infime, une fuite importante menace. Agissez immédiatement comme indiqué précédemment.

ATTENTION : POINTS ESSENTIELS À MÉMORISER!

- Le propane à une odeur distinctive. Apprenez à reconnaître ces odeurs. (Reportez-vous aux sections Odeur des gaz combustibles et Dissipation d'odeur ci-contre et ci-dessus).
- Même si vous n'êtes pas correctement formé à l'utilisation et à la maintenance des chauffages, soyez TOUJOURS conscient des odeurs de propane (GPL) et de gaz naturel.
- Si vous n'avez pas été correctement formé à l'utilisation et à la maintenance des installations utilisant le propane (GPL), n'essayez pas d'allumer, de réparer ou de régler un chauffage avec un système alimenté au gaz propane (GPL).
- Un test périodique autour du chauffage, ou des joints du chauffage; c.-à-d. détendeurs, connexions, etc., est une bonne pratique de sécurité dans tous les cas. Si vous sentez même une petite quantité de gaz, CONTACTEZ IMMÉDIATEMENT VOTRE FOURNISSEUR DE GAZ. N'ATTENDEZ PAS!

RENSEIGNEMENTS GÉNÉRAUX

- A. Les modèles MH15TS et MH30TS sont des appareils au gaz propane haute pression conçus pour être raccordés à une bonbonne de gaz propane.
- B. Ces appareils de chauffage sont équipés d'une vanne de sûreté à fermeture automatique. L'alimentation en gaz s'arrête automatiquement si l'appareil de chauffage ne fonctionne pas pour quelque raison que ce soit.
- C. Le manodétendeur, ou valve de régulation (Hi-Med-Lo), est pratique et offre un fonctionnement sécuritaire. Le tableau suivant indique la puissance approximative de l'appareil en BTU et le nombre d'heures de fonctionnement avec une bonbonne de gaz propane.
- D. Ces chauffages sont pour le chauffage temporaire de bâtiments en construction, modifications, ou réparation.

Position de la valve	Modèle			
	MH15TS		MH30TS	
	Puissance en BTU	Heures avec une bonbonne de 9 Kg	Puissance en BTU	Heures avec une bonbonne de 9 Kg
Hi	15 000	28	30 000	14
Med	12 000	36	24 000	18
Lo	10 000	43	10 000	43

Figure 3.

- E. MH15TS et MH30TS sont équipés des allumeurs « Sparklite » pour un allumage pratique de l'appareil de chauffage.

POUR UN FONCTIONNEMENT SÉCURITAIRE

- A. **LISEZ ATTENTIVEMENT LES INSTRUCTIONS** : lisez et observez ces instructions. Interdisez à quiconque n'ayant pas lu les présentes instructions d'assembler, d'allumer, de régler ou de faire fonctionner l'appareil de chauffage.

ATTENTION

- ⚠ GARDEZ CET APPAREIL DE CHAUFFAGE HORS DE LA PORTÉE DES ENFANTS

- B. L'utilisation de l'appareil doit respecter les codes du bâtiment de votre localité; en l'absence de tels codes, se conformer à la norme sur l'entreposage et la manutention des gaz pétroliers liquéfiés, ANSI/NFPA 58 et CSA B 149.1, Code d'installation pour les appareils à gaz naturel et propane.
- C. **LE PROPANE EST EXTRÊMEMENT INFLAMMABLE** : En cas de fuite, le propane s'accumule dans la pièce, ce qui présente un risque d'incendie. Le propane dégage une forte odeur facile à déceler. N'allumez jamais une allumette, ne vous éclairez pas avec une flamme nue et ne produisez aucun arc électrique dans un endroit fermé où des odeurs de gaz propane sont décelées. Ventilez complètement l'endroit, sortez l'appareil à l'extérieur, puis repérez et corrigez l'origine de la fuite avant d'allumer tout appareil. Si vous avez des doutes sur ces instructions, évacuez immédiatement les lieux et demandez de l'aide.
- D. **FUITE DE GAZ** : Si la fuite ne peut être colmatée, ne modifiez pas l'appareil de chauffage, observez plutôt les instructions pour couper l'alimentation en gaz et renvoyez l'appareil au revendeur ou à l'adresse indiquée sur la dernière page.

ATTENTION

- ⚠ N'UTILISEZ PAS CET APPAREIL DE CHAUFFAGE AVEC UNE BONBONNE DE GAZ LIQUÉFIÉ DE PLUS DE 20 LB (CAPACITÉ EN EAU DE 50 LB).

- E. **DÉTECTION DE FUITE** : avant chaque utilisation, appliquez une solution d'eau savonneuse sur les raccords pour déceler des fuites. N'UTILISEZ JAMAIS UNE FLAMME POUR DÉTECTER DES FUITES.
- F. **RACCORDEMENT DE L'APPAREIL À LA BONBONNE DE PROPANE** : raccordez toujours l'appareil de chauffage à une bonbonne à l'extérieur ou dans un endroit bien aéré. Ne raccordez JAMAIS cet appareil de chauffage à la bonbonne à proximité d'une flamme nue.
- G. **UTILISATION DE L'APPAREIL DE CHAUFFAGE** : faites toujours fonctionner l'appareil en plaçant la bonbonne à la verticale sur une surface plane non combustible. Ne placez JAMAIS la bonbonne sur le côté lorsque l'appareil fonctionne.
- H. **SURVEILLANCE DE L'APPAREIL DE CHAUFFAGE** : ne laissez pas l'appareil fonctionner sans surveillance.
- I. **TOUJOURS ALLUMER L'APPAREIL DE CHAUFFAGE AVEC UNE ALLUMETTE OU UN ALLUMAGE « SPARKLITE »** : NE tentez JAMAIS d'allumer l'appareil de chauffage avec un allumoir à pierre.

- J. **NE MODIFIEZ PAS L'APPAREIL** : Si l'appareil n'offre pas un rendement adéquat, par exemple s'il produit peu ou pas de chaleur lorsque la commande est en position élevée (Hi), ou pour toute autre raison, NE TENTEZ PAS DE LE RÉPARER OU DE LE MODIFIER. Toute modification pourrait compromettre le fonctionnement sécuritaire de l'appareil et pourrait constituer un danger. Renvoyez l'appareil de chauffage au revendeur ou à l'adresse indiquée en dernière page pour le faire réparer ou remplacer.
- K. **ENTREPOSAGE** : La valve de régulation Hi-Med-Lo-Off doit toujours être fermée lorsque l'appareil de chauffage n'est pas utilisé. Laissez refroidir l'appareil au moins 15 minutes avant de le manipuler et de le ranger. Démontez la bonbonne de propane de l'appareil de chauffage avant l'entreposage. N'entreposez PAS les bonbonnes de propane à l'intérieur ou à proximité d'une flamme nue ni d'une source de chaleur.
- L. **NE TRANSPORTEZ PAS ET NE DÉPLACEZ PAS LA BONBONNE PENDANT QU'ELLE ALIMENTE L'APPAREIL. OBSERVEZ LES INSTRUCTIONS SUR L'ARRÊT ET L'ENTREPOSAGE DE L'APPAREIL POUR LE TRANSPORTER OU LE DÉPLACER.**

VENTILATION

- A. **AVERTISSEMENT** : Cet appareil de chauffage n'est pas ventilé et DOIT être utilisé UNIQUEMENT dans un endroit bien aéré. NE TENTEZ JAMAIS de faire fonctionner l'appareil de chauffage dans un véhicule, une roulotte ou un endroit fermé.
- B. **POUR UN USAGE NON RÉSIDENTIEL À L'INTÉRIEUR OU UN USAGE À L'EXTÉRIEUR**. Tout processus de combustion requiert et consomme de l'oxygène et produit du monoxyde de carbone. **CET APPAREIL DE CHAUFFAGE DOIT ÊTRE UTILISÉ DANS UN ENDROIT BIEN AÉRÉ**. Ne l'utilisez pas dans une maison, r à l'intérieur d'une maison, une roulotte, une tente ou dans n'importe quel endroit clos ou mal aéré.
- C. **ATTENTION** : Prévoyez une ventilation adéquate. Cet appareil de chauffage consomme de l'air (oxygène). N'utilisez pas cet appareil de chauffage dans un endroit non ventilé pour ne pas mettre votre vie en danger. Prévoyez une ventilation supplémentaire si vous utilisez d'autres appareils à combustion et s'il y a des occupants supplémentaires.
- D. Les flux d'air de combustion et de ventilation ne doivent jamais être obstrués.

ÉCART MINIMAL ENTRE L'APPAREIL ET TOUTE MATIÈRE COMBUSTIBLE

- A. En fonctionnement, les surfaces du chauffage sont extrêmement chaudes. Conservez les sacs de couchages, vêtements et tout matériau inflammable à une distance minimale du chauffage comme indiqué sur la figure 4.

BTU/HR. Taux		Procédure normale de mise en marche	Zone de sécurité des combustibles				
Modèle N	Gaz Propane		À partir de CL. DE HTR. AU SOL	DEVANT	CÔTÉS	ARRIÈRE	PLAFOND
MH15TS	15 000	Verticale	61 cm	76 cm	76 cm	76 cm	76 cm
MH30TS	30 000	Verticale	61 cm	76 cm	76 cm	76 cm	91 cm

Figure 4.

- B. **ATTENTION** : pour éviter les blessures ou les dégâts matériels, ne laissez jamais de vêtement, tente, ou autre matériau inflammable à une distance de 75 cm devant le chauffage. Ce chauffage doit être situé au moins à 61 cm du sol quand il fonctionne. Ne le laissez jamais en fonctionnement pendant votre sommeil.
- C. **ATTENTION** : ne jamais diriger la sortie de chaleur de ce chauffage en direction d'une bouteille de propane dans un rayon de 6 mètres.

INSTRUCTIONS D'ALLUMAGE

- A.** Avant d'essayer d'allumer le chauffage, vérifiez tous les raccords et connexions avec une solution savonneuse **NE JAMAIS UTILISER D'ALLUMETTE POUR CHERCHER LES FUITES** S'il y a une fuite, n'essayez pas de réparer ou d'utiliser le chauffage. Renvoyez le chauffage chez votre fournisseur ou à l'adresse indiquée à la dernière page.
- B.** Combustible – ce chauffage doit être utilisé uniquement avec des bouteilles de GPL à collecteur de vapeur. LA BOUTEILLE DOIT ÊTRE ÉQUIPÉE AVEC UNE VALVE POL STANDARD.

ATTENTION

- ⚠ UTILISER DU PROPANE HD5 UNIQUEMENT. NE PAS UTILISER D'AUTRE TYPE DE COMBUSTIBLE. CONTACTEZ VOTRE FOURNISSEUR DE PROPANE SI VOUS AVEZ UNE QUESTION CONCERNANT LE COMBUSTIBLE.**

- C.** Tournez le bouton de réglage sur « moyen » (sens contraire des aiguilles d'une montre).
- D.** Pour allumer le MH15TS, appuyez sur la vanne d'arrêt à fermeture automatique. Tout en maintenant le bouton de la vanne d'arrêt à fermeture automatique appuyé, appuyez immédiatement sur le bouton d'allumage « Sparklite » (répétez jusqu'à ce que l'appareil s'allume). Lorsque l'appareil de chauffage est allumé, continuez à maintenir le bouton de la vanne d'arrêt à fermeture automatique pendant 30 secondes puis relâchez-le.
- ALLUMEUR EN OPTION :** Pour allumer l'appareil de chauffage, mettez une allumette à l'intérieur du trou situé à l'arrière du réflecteur marqué « light here » (allumer ici) (voir la figure 5). Ensuite, appuyez sur le bouton de la vanne d'arrêt à fermeture automatique. Lorsque l'appareil de chauffage est allumé, continuez à maintenir le bouton de la vanne d'arrêt à fermeture automatique pendant 30 secondes puis relâchez lentement le bouton. **MISE EN GARDE :** N'APPUYEZ PAS SUR LE BOUTON DE LA VANNE AVANT D'Y AVOIR INSÉRÉ L'ALLUMETTE ALLUMÉE. NE VOUS TENEZ JAMAIS DEVANT L'APPAREIL DE CHAUFFAGE LORSQUE VOUS L'ALLUMEZ. RÉPÉTEZ L'ÉTAPE « D » POUR CHAQUE BRÛLEUR.
- E.** Pour allumer un brûleur modèle MH30TS, appuyez sur la vanne d'arrêt à fermeture automatique et en même temps poussez vers le bas le bouton de l'allumeur « Sparklite ». Répétez la poussée vers le bas sur le bouton de l'allumeur « Sparklite » jusqu'à ce que le brûleur s'allume. Après que le brûleur soit allumé, continuez à maintenir appuyé le bouton de la vanne pendant 30 secondes, puis relâchez lentement le bouton. Répétez l'étape « E » pour chaque brûleur de l'appareil de chauffage MH30TS. (voir la figure 6).
- F.** Si le brûleur ne s'allume pas dans les 30 secondes, tournez le bouton du régulateur de l'appareil de chauffage sur la position « Fermé » (dans le sens des aiguilles d'une montre) et laissez le gaz se disperser au moins cinq minutes avant de tenter de rallumer.
- G.** REMARQUE : Si l'orifice devenait obstrué, indiqué par le faible volume de gaz pendant le fonctionnement sur la position « Haute » avec une bonbonne pleine, ou si l'appareil de chauffage ne fonctionne pas convenablement pour n'importe quelle raison, retournez l'appareil de chauffage à votre revendeur ou à l'adresse indiquée au verso pour réparation ou pour son remplacement. **NE PAS ESSAYER DE RÉPARER OU DE MODIFIER L'APPAREIL DE CHAUFFAGE.**
- H.** Ajustez la production de chaleur en tournant le bouton sur à la position désirée.
- I. NE PAS UTILISER CET APPAREIL DE CHAUFFAGE POUR CUISINER.**

Model: MH15TS

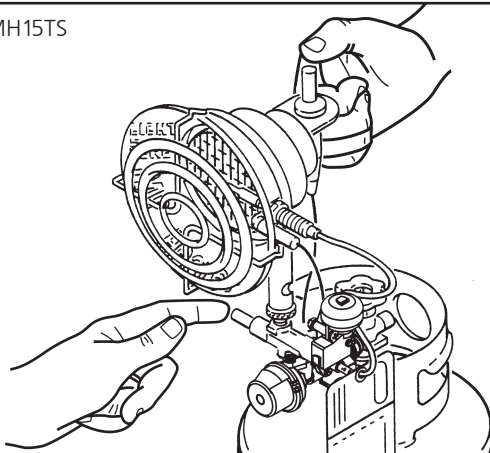


Figure 5

INSTRUCTIONS D'EXTINCTION ET DE RANGEMENT

- A.** La valve « on-off » de la bouteille de propane doit TOUJOURS être complètement tournée sur « OFF » quand le chauffage n'est pas utilisé.
- B.** Lors de l'extinction du chauffage, tournez le bouton de réglage sur « OFF » (sens des aiguilles d'une montre).
- C. PRUDENCE :** après avoir éteint l'appareil, le chauffage reste extrêmement chaud. Laissez refroidir l'appareil au moins 15 minutes avant de le manipuler et de le ranger. Enlevez la bouteille de propane avant manipulation et rangement. **RAPPEL :** la pièce de fixation standard POL comporte un pas à gauche.
- D. RANGEMENT DU CHAUFFAGE :** Le rangement à l'intérieur est autorisé seulement si la bouteille est déconnectée et retirée du chauffage. Les recharges doivent être stockées à l'extérieur, hors de la portée des enfants et ne doivent pas être stockées dans un bâtiment, dans un garage ou tout autre endroit clos. Stockez les recharges toujours en accord avec les normes en vigueur pour le stockage et la manipulation des gaz à pétrole liquéfié ANSI/NFPA 58 et CSA B 149.1, code d'installation pour les appareils à gaz naturel et propane.
- E.** Reportez-vous à la page 7 pour la liste des pièces de rechange.

ENTRETIEN

- A.** Retirez le boulon qui retient le thermocouple (3) derrière l'ensemble de brûleurs (2). Retirez les écrous.
- B.** Notez la position du thermocouple (3) dans la plaque de support derrière l'ensemble de brûleurs (2). Enlevez le thermocouple.
- C.** Retirez l'écrou papillon (18) et la rondelle en fibre (19) qui retiennent la valve de coupure de sécurité (6) et l'ensemble brûleur (2).
- D.** Faites glisser la valve de coupure de sécurité (6) hors de l'ensemble brûleur (2).
- E.** Séparez la buse de brûleur (20) de la valve de coupure de sécurité (6).
- F.** Nettoyez la buse à l'air comprimé (80 psi maxi).
- G.** Dirigez l'air comprimé à travers la buse du brûleur (2) en direction de la chambre de répartition de l'air du brûleur afin d'expulser la poussière collectée sur la grille. Gardez le visage éloigné de la grille.
- H.** Assemblez de nouveau le chauffage dans l'ordre inverse de l'ordre de démontage.

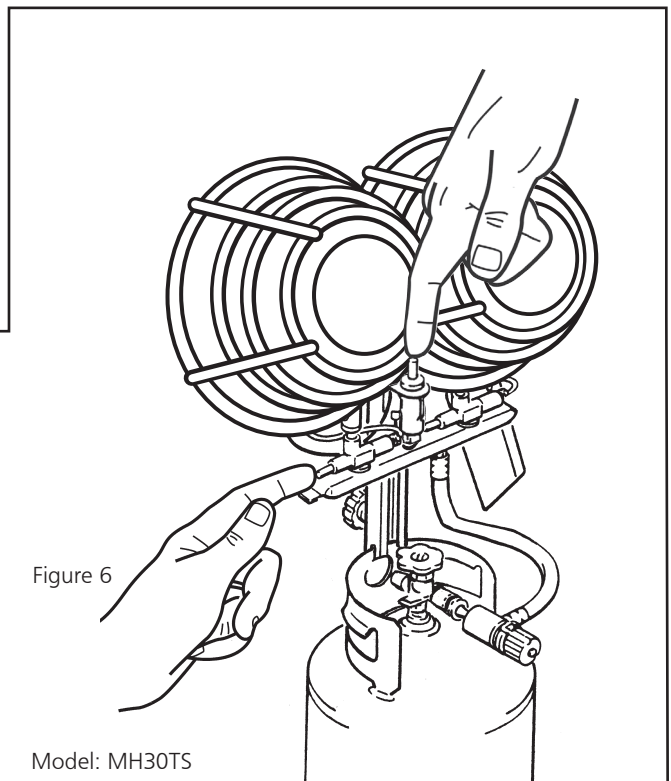
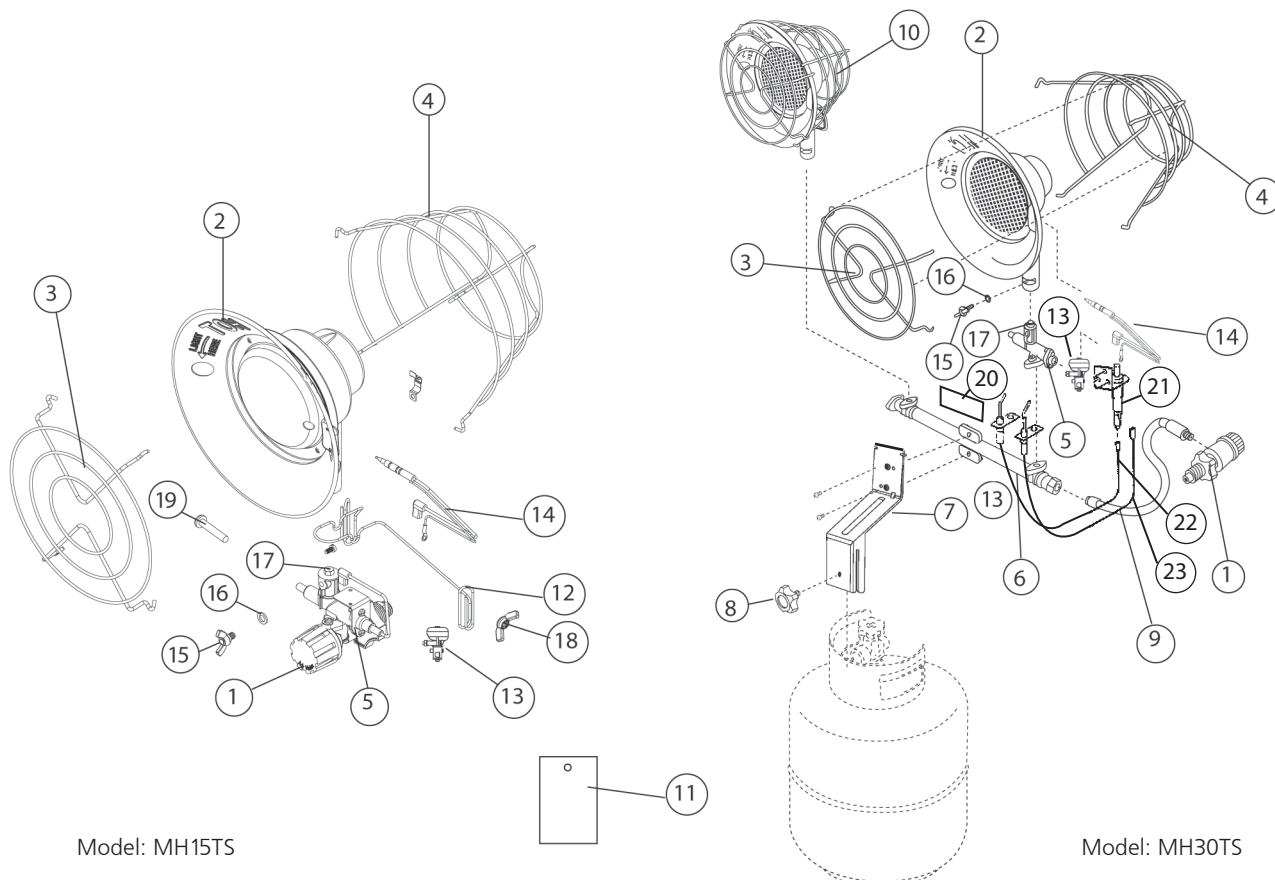


Figure 6

Model: MH30TS

Mr. Heater • Chauffage infrarouge à bonbonne de gaz • Modèle #MH15TS et MH30TS



Model: MH15TS

Model: MH30TS

Article #	Description	MH15TS		MH30TS	
		Numéro	Qté	Numéro	Qté
1	Ensemble du régulateur	17314	1	17314	1
2	Ensemble du Brûleur	42113	1	42110	2
3	Ensemble de protection	17413	1	17413	2
4	Ensemble de protection arrière	17418	1	17418	2
5	Valve de fermeture se sécurité	17416	1	17416	2
6	Collecteur	--	--	42666	1
7	Support de collet de la bonbonne	--	--	42618	1
8	Bouton de serrage de la bague de montage	--	--	17415	1
9	Rampe à gaz	--	--	17411	1
10	Ensemble de brûleurs avec protections	17419	1	17419	2
11	Étiquette, Modèle/mode d'emploi	42103	1	42656	1
12	Support en fil de fer	17353	1	--	--
13	Contacteur	42116	1	42116	2
14	Thermocouple/Ensemble de fil du contacteur	17349	1	17349	2
15	Boulon papillon	17342	1	17342	2
16	Rondelle en fibre	17341	1	17341	2
17	Orifice, non vendu séparément	--	1	--	2
18	Écrou papillon	17324	1	--	--
19	Boulon	17323	1	--	--
20	Support de fixation du bouton d'allumage Sparklite	--	--	73234	1
21	Bouton d'allumage Sparklite	73235	1	73235	1
22	Électrode d'allumage / bas	42136	1	42136	1
23	Électrode d'allumage / côté	--	--	42614	1



GUIDE D'UTILISATION ET MANUEL DU PROPRIÉTAIRE

Modèle #

MH15TS

MH30TS

Chauffage infrarouge à bonbonne de gaz

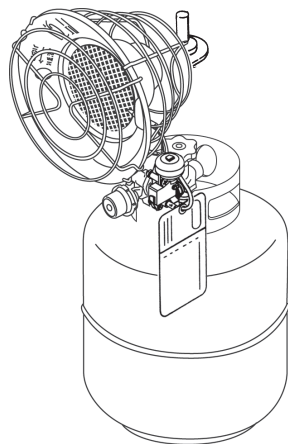
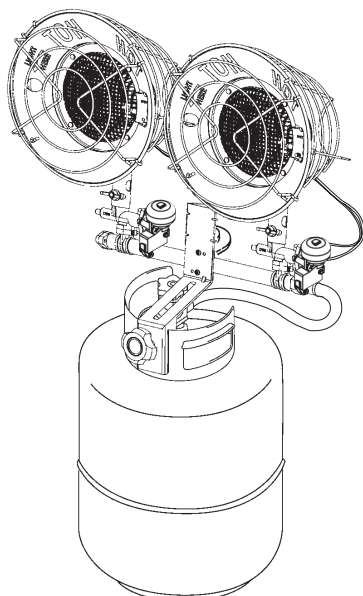
BOUEILLE NON INCLUE

Numéros de série :

Modèle | Numéros commençant par

MH15TS | CL-242105-12001001

MH30TS | CL-242655-12001001



AVERTISSEMENT :

UTILISEZ UNIQUEMENT DES PIÈCES DÉTACHÉES DU CONSTRUCTEUR. L'UTILISATION D'AUTRES PIÈCES PEUT CAUSER DES BLESSURES OU LA MORT. LES PIÈCES DE REMPLACEMENT SONT DISPONIBLES UNIQUEMENT EN DIRECT DE L'USINE ET DOIVENT ÊTRE INSTALLÉES PAR UNE SOCIÉTÉ DE SERVICES QUALIFIÉE.

INFORMATIONS POUR LA COMMANDE DE PIÈCES DÉTACHÉES :

ACHAT : les accessoires peuvent être achetés chez n'importe quel revendeur local Mr. Heater ou en direct de l'usine

POUR LES INFORMATIONS SUR LE SERVICE

Veuillez téléphoner au numéro sans frais 800-251-0001
www.mrheater.com

Nos horaires d'ouverture sont 08:30 – 17:00, EST, du lundi au vendredi.
Veuillez préciser le numéro de modèle, la date d'achat et la description du problème dans toutes vos communications.

GARANTIE LIMITÉE

Mr. Heater Inc. garantit ses chauffages et accessoires exempts de défaut matériel ou de main d'œuvre pour une période de 1 an à partir de la date d'achat. Mr. Heater Inc réparera ou remplacera ce produit gratuitement s'il a été prouvé qu'il a été défectueux dans la période d'un an, et s'il est retourné aux frais de l'expéditeur avec la preuve d'achat chez Mr. Heater, Inc. dans la période de garantie.

Mr. Heater se réserve le droit de changer à tout moment et sans préavis ni obligation, les couleurs, spécifications, accessoires, matériaux et modèles.

ENREGISTREMENT DE PRODUIT: Merci pour votre achat.

Connectez-vous s'il vous plaît à <http://www.egiregistration.com> pour enregistrer votre produit.

Mr. Heater, Inc., 4560 W. 160TH ST., CLEVELAND, OHIO 44135 • 800-251-0001

Mr. Heater est une marque déposée de Mr. Heater, Inc.

© 2009, Mr. Heater, Inc. Tous droits réservés