

!WARNING!

Failure to follow these instructions or to properly install and maintain this equipment could result in an explosion and/or fire causing property damage and personal injury or death.

MEC equipment must be installed, operated and maintained in accordance with federal, state and local codes and manufacturer's instructions. The installation in most states must also comply with NFPA No. 58, and ANSI Standard K61.1.

Only personnel trained in the proper procedures, codes, standards, and regulations of the LP-Gas industry should install and service this equipment.

The internal valve must be closed except during product transfer. A line break downstream of a pump may not actuate the excess flow valve. If any break occurs in the system or if the excess flow valve closes, the system should be shut down immediately.

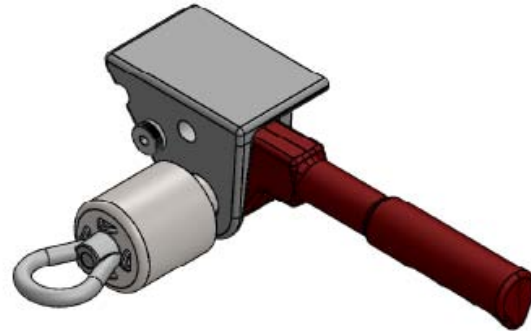
Scope of the Manual

This manual covers instructions for the MEP990-4F Manual Latch.

Installation

To install the MEP990-4F Manual Latch:

1. Remove the cable type operating lever, if installed, by removing the roll pin.
2. Attach the Shaft Spline [14] to the stub of the ME990-4F assembly with the Shaft Spring Pin [15].
3. Attach Manual Latch Assembly to the ME990-4F internal Valve with (3) Mounting Screws [17].



When Closing the MEP990-4F manually, grasp the lever firmly and pull down. At the same time pull back on the Eye Nut [11] attached to the release mechanism as the manual lever is pulled downward and then allow the lever to move upward.

!WARNING!

Since there is strong spring force on the operating lever, avoid getting in the way of the lever if it slams to the closed position. The lever should not be allowed to slam to the closed position except in emergency situations, as repeated slamming may damage the valve and operator.

Marshall Excelsior Company

1506 George Brown Drive Marshall, MI 49068
Phone (269) 789-6700 Fax (269) 781-8340
www.marshallexcelsior.com

The contents of this publication are for informational purposes only. While every effort has been made to ensure accuracy, these contents are not to be construed as warranties or guarantees, expressed or implied, regarding the products or services described herein or for their use or applicability. Marshall Excelsior Co. reserves the right to modify or improve the designs or specifications of such products at any time without notice. The MEC™ logo is the trademark of Marshall Excelsior Co.

MEP990-4F

Parts List		
Ref.#	Description	Qty.
1	Bracket	1
2	Lever	1
3	Plunger	1
4	Plunger Spring	1
5	Stem Guide	1
6	Hex Nut	2
7	Lower Washer	1
8	Release Spring	1
9	Upper Washer	1
10	Cover	1
11	Eye Nut	1
12	Lever Retainer	1
13	Fusible Link	4
14	Shaft Spline	1
15	Shaft Spring Pin	1
16	Collet Washer	2
17	Mounting Screw	3

