

!WARNING!

Failure to follow these instructions or to properly install and maintain this equipment could result in an explosion and/or fire causing property damage and personal injury or death.

MEC equipment must be installed, operated, and maintained in accordance with federal, state, and local codes and MEC instructions. The installation in most states must also comply with NFPA No. 58, and ANSI Standard K61.1.

Only personnel trained in the proper procedures, codes, standards, and regulations of the LP-Gas or NH3 industries should install and service this equipment.

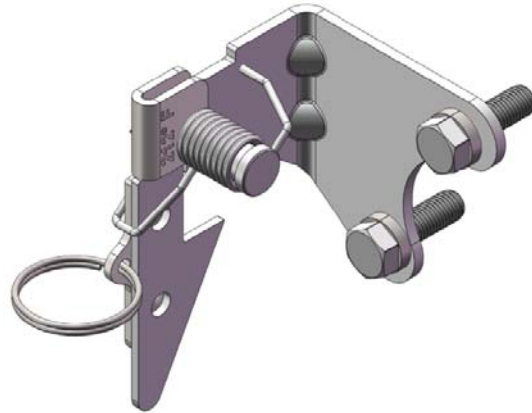
Scope of the Manual

This manual covers instructions for installing the MEP990-24 latch on the ME990-16, ME990-24, and ME990-3F-24 series "Excelerator" internal valves.

The MEP990-24 latch is a remote release mechanism that permits remote valve closure. The valve is opened manually. A built-in fusible element will release at 212° F / 100°C and allow the internal valve to close. Factory P/N for the MEP990-24 installed is ME990M-16, ME990M-24, and ME990M-3F-24

Introduction

MEP990-24 latch and remote release mechanism permits 2" and 3" internal valves to be closed from a remote location. When the valve's operating lever is manually opened, the lever is automatically latched in that position. The lever can be released from a remote location by pulling on a cable attached to the pull ring, thus closing the internal valve. Thermal protection is provided by a built-in fusible element.



Installation

!WARNING!

When installing the MEP990-24 latch on internal valves not manufactured by MEC that do not have a stub gland that is threaded to the body, downstream pressure must be released before removing the two screws holding the bonnet to the internal valve body. Failure to do so before attempting to install the MEP990-24 could result in personal injury.

When installing the MEP990-24 on the MEC ME990-16 or ME990-24 series internal valves, downstream pressure does not have to be released prior to installation.

Remove two of the cap screws (shown in figure 1) from the internal valve and attach the MEP990-24. Be certain the MEP990-24 is adjusted so that the valve operating lever can move to within 5° of the fully open position when latched. Failure to allow sufficient lever travel can result in premature excess flow check valve closure.

A cable must be run from the pull ring on the valve to a remote location. The cable has to be free of slack for proper operation, and the installation may require sufficient pulleys to keep the cable away from the side of the tank. Pulling the cable allows the valve's operating lever to return to the closed position.

Marshall Excelsior Company

1506 George Brown Drive Marshall, MI 49068
Phone (269) 789-6700 Fax (269) 781-8340
www.marshallexcelsior.com

The contents of this publication are for informational purposes only. While every effort has been made to ensure accuracy, these contents are not to be construed as warranties or guarantees, expressed or implied, regarding the products or services described herein or for their use or applicability. Marshall Excelsior Co. reserves the right to modify or improve the designs or specifications of such products at any time without notice. The MEC™ logo is the trademark of Marshall Excelsior Co.

MEP990-24

When closing the valve manually, pull back on the cable, or pull ring, attached to release mechanism to permit the lever to close.

!WARNING!

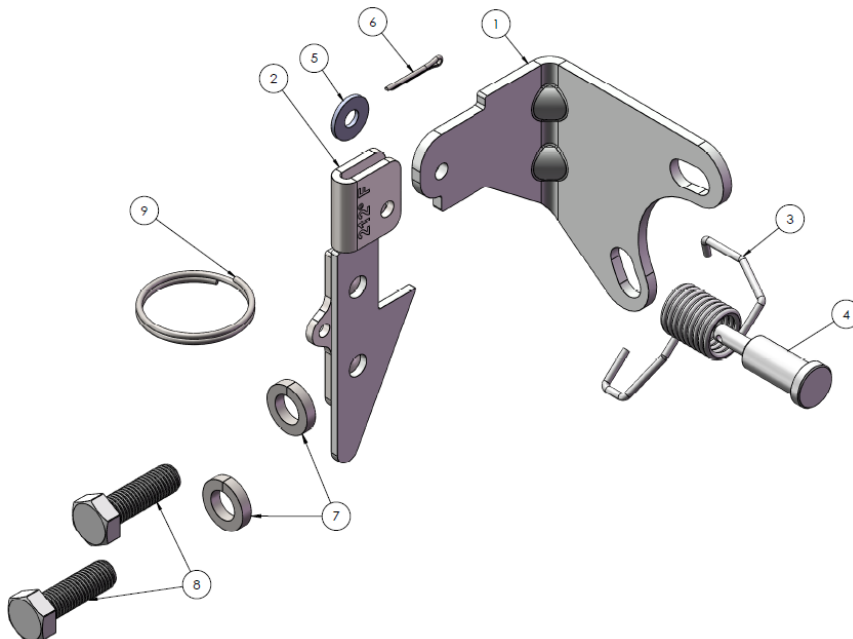
Since there is strong spring force on the operating lever, avoid getting in the way of the lever as it moves to the closed position. Failure to do so could result in personal injury.

Maintenance

A simple preventive maintenance program for the internal valve and its controls will eliminate many potential problems.

MEC recommends these steps be conducted once a month:

1. Regularly inspect the operating lever to see that it operates freely and that there is no leakage around the stub shaft. If there is leakage or sticking, the packing should be replaced.
2. Check for tight closure of the seals regularly. Any leakage indicates a defect in the seal caused from wear or from dirt or scale lodging and embedding in the seal. To check for leakage, close the internal valve, and exhaust downstream pressure. Close the first valve downstream from the internal valve, and note any pressure build-up by means of a pressure gauge. If leakage is indicated, the seals should be replaced.
3. All operating controls should be regularly inspected, cleaned, and lubricated.
4. Check to see that the MEP990-24 latch allows the internal valve to fully open and operates freely to close the valve.



Parts Ordering

Important

Use only genuine MEC replacement parts. Components that are not supplied by MEC should not, under any circumstances, be used in any MEC valve, because they might adversely affect the performance of the valve, and could give rise to personal injury and property damage.

When corresponding about this equipment, always reference the equipment model or series number found on the nameplate.

Parts List

1. Bracket
2. Fusible Latch
3. Spring
4. Clevis Pin
5. Manual Latch Washer
6. Cotter Pin
7. 5/16" Split Lock Washer, 2 required
8. 5/16"-24 Hex Head Cap Screw, 2 required
9. 1-1/4" Steel (Key) Ring



Figure 1