

### ME990-PGA PACKING GLAND ASSEMBLY KIT FOR: ME990-16 AND ME990-24 INTERNAL VALVE

**!!!WARNING!!!**

READ AND UNDERSTAND ALL INSTRUCTIONS INCLUDED WITH THIS REPAIR KIT  
RELIEVE ALL PRESSURE FROM SYSTEM BEFORE REMOVING VALVE FOR SERVICE

**NOTE:** Numbers in brackets [ ] refer to the number in the valve component list.

#### A. Disassembly

1. **EVACUATE ALL PRESSURE FROM SYSTEM BEFORE ANY DISASSEMBLY OR REPAIR.**
2. Remove Valve Link Cotter Pin [4] from Lever [3] and discard.
3. Remove Lever [3] and retain.
4. Remove Gland Assembly [2] and Gland O-Ring [5] from Body [1] and discard.
5. Inspect Valve Body [1] and clean if necessary, be sure interior is free of dirt, residue and foreign particles.

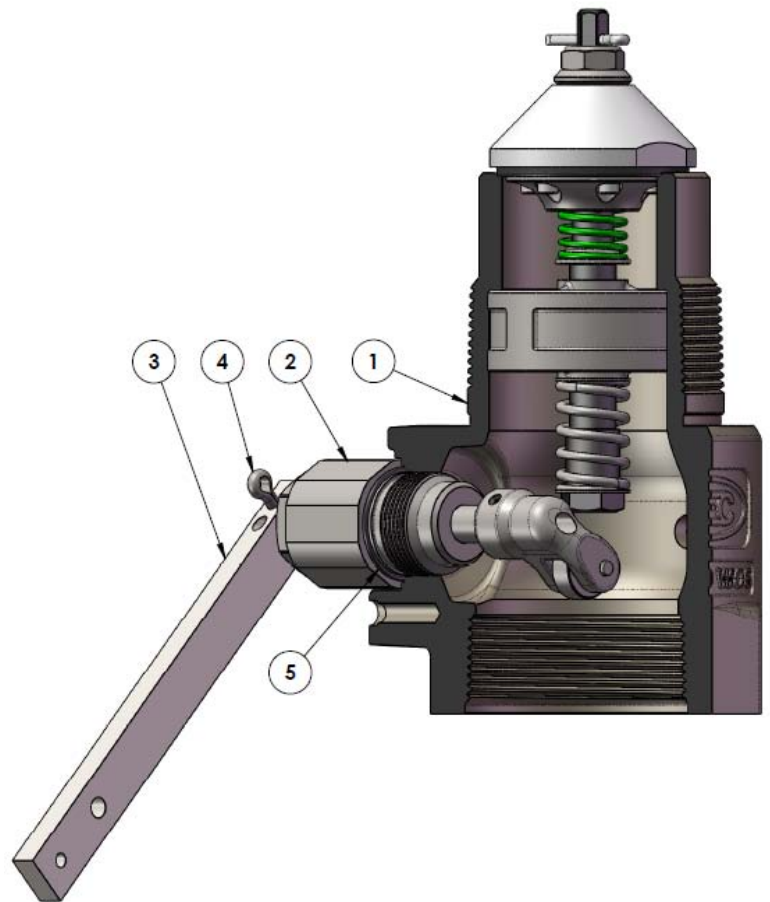
#### B. Reassembly

1. Apply Loctite #242 to threads of Gland Assembly [2] and install into Body [1] making sure Gland O-Ring [5] is seated in Body [1].
2. Install Lever [3] on Gland Assembly [2], install with Valve Link Cotter Pin [4].
3. Connect the valve assembly outlet to a pressure source of at least 150 PSI. Check for leaks at all joints and stem seals using a suitable leak detector solution such as "Marshall Excelsior" leak detector.

**CAUTION: DO NOT USE THE VALVE IF ANY JOINT CONTINUES TO LEAK UNDER PRESSURE.**

#### C. Component List

1. Body
2. Gland Assembly
3. Lever
4. Valve Link Cotter Pin
5. Gland O-Ring



### Marshall Excelsior Company

1506 George Brown Drive Marshall, MI 49068  
Phone (269) 789-6700 Fax (269) 781-8340  
www.marshallexcelsior.com

The contents of this publication are for informational purposes only. While every effort has been made to ensure accuracy, these contents are not to be construed as warranties or guarantees, expressed or implied, regarding the products or services described herein or for their use or applicability. Marshall Excelsior Co. reserves the right to modify or improve the designs or specifications of such products at any time without notice. The MEC™ logo is the trademark of Marshall Excelsior Co.