



**ME990-10-PRK  
PACKING REPAIR KIT  
FOR: ME990-10 1 1/4" INTERNAL VALVE**

**!!!WARNING!!!**

**READ AND UNDERSTAND ALL INSTRUCTIONS INCLUDED WITH THIS REPAIR KIT  
RELIEVE ALL PRESSURE FROM SYSTEM BEFORE REMOVING VALVE FOR SERVICE**

**NOTE:** Numbers in brackets [ ] refer to the number in the valve component list.

**A. Disassembly**

- 1. EVACUATE ALL PRESSURE FROM SYSTEM BEFORE ANY DISASSEMBLY OR REPAIR.**
2. Remove (2) Socket Head Cap Screws [4] and Packing Retainer [3] from Body [1] and retain.
3. Remove Packing Gland Assembly [2] and retain.
4. Remove Gland [2A] from Bonnet Stem [2B] and retain.
5. Remove Packing Spacer [2C], Female V-Packing [2D], (3) V-Packing [2E], and Male V-Packing [2F] from Gland [2A] and discard. Retain Packing Washer [2G] and Packing Spring [2H].
6. Remove O-Ring [2I] from Gland [2A] and discard.
7. Remove Cam Screw [2M], Cam Washer [2L], and Cam Assembly [2K] from Bonnet Stem [2B] and retain.
8. Remove Stem Bushing [2J] from Bonnet Stem [2B] and discard.
9. Inspect Valve Body [1] and clean if necessary, be sure interior is free of dirt, residue and foreign particles.

**B. Reassembly**

1. Install Stem Bushing [2J] on Bonnet Stem [2B].
2. Apply Loctite #271 to threads of bonnet Stem [2B] and install Cam Assembly [2K], Cam Washer [2L], and Cam Screw [2m] on Bonnet Stem [2B] and tighten. Ensure that the Cam Assembly [2K] is installed as shown in Figure 1.
3. Install O-Ring [2I] on Gland [2A].
4. Install Packing Spring [2H], Packing Washer [2G], Male V-Packing [2F], (3) V-Packing [2E], Female V-Packing [2D], and Packing Spacer [2C] in gland [2A].
5. Install Gland [2A] on Bonnet Stem [2B].
6. Install Gland Assembly [2] into Body [1].
7. Apply Loctite #271 to threaded holes in Body [1] and install Packing Retainer [3]. Install (2) Socket Head Cap Screws [4] thru Packing Retainer [3] into Body [1].
8. Connect the valve assembly outlet to a pressure source of at least 150 PSI. Check for leaks at all joints and stem seals using a suitable leak detector solution such as "Marshall Excelsior" leak detector.

**CAUTION: DO NOT USE THE VALVE IF ANY JOINT CONTINUES TO LEAK UNDER PRESSURE.**

**Marshall Excelsior Company**

1506 George Brown Drive Marshall, MI 49068  
Phone (269) 789-6700 Fax (269) 781-8340  
[www.marshallexcelsior.com](http://www.marshallexcelsior.com)

The contents of this publication are for informational purposes only. While every effort has been made to ensure accuracy, these contents are not to be construed as warranties or guarantees, expressed or implied, regarding the products or services described herein or for their use or applicability. Marshall Excelsior Co. reserves the right to modify or improve the designs or specifications of such products at any time without notice. The MEC™ logo is the trademark of Marshall Excelsior Co.

**ME990-10-PRK  
PACKING REPAIR KIT  
FOR: ME990-10 1 1/4" INTERNAL VALVE**

**C. Component List**

- 1. Body
- 2. Gland Assembly
- 2A. Gland
- 2B. Bonnet Stem
- 2C. Packing Spacer
- 2D. Female V-Packing
- 2E. V-Packing, 3 required
- 2F. Male V-Packing
- 2G. Packing Washer
- 2H. Packing Spring
- 2I. O-Ring
- 2J. Stem Bushing
- 2K. Cam Assembly
- 2L. Cam Washer
- 2M. Cam Screw
- 3. Packing Retainer
- 4. Socket Head Cap Screw, 2 required

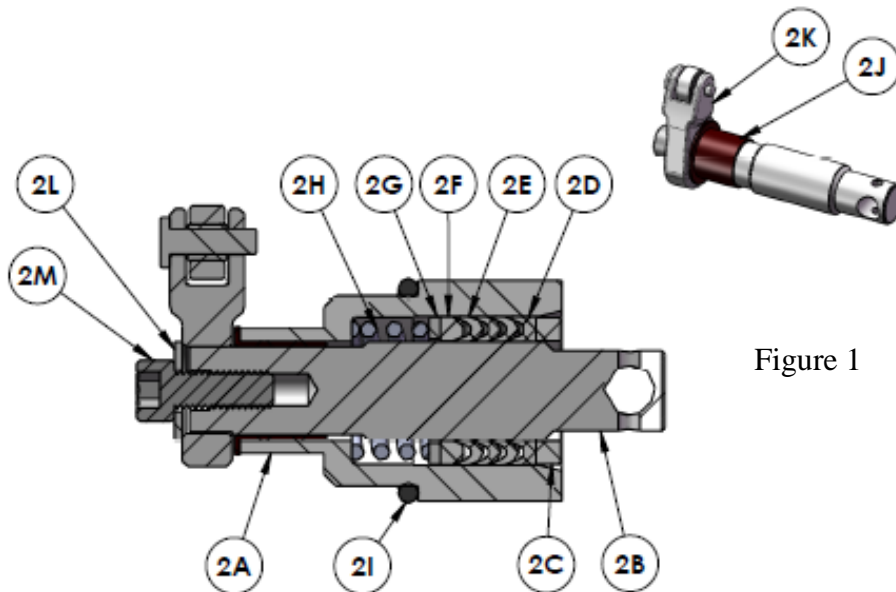
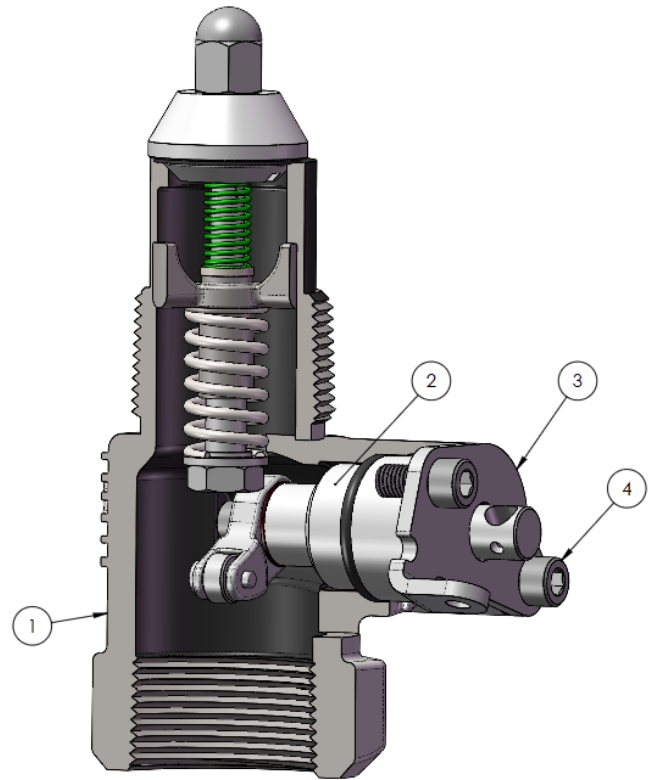


Figure 1

**Marshall Excelsior Company**

1506 George Brown Drive Marshall, MI 49068  
Phone (269) 789-6700 Fax (269) 781-8340  
[www.marshallexcelsior.com](http://www.marshallexcelsior.com)

The contents of this publication are for informational purposes only. While every effort has been made to ensure accuracy, these contents are not to be construed as warranties or guarantees, expressed or implied, regarding the products or services described herein or for their use or applicability. Marshall Excelsior Co. reserves the right to modify or improve the designs or specifications of such products at any time without notice. The MEC™ logo is the trademark of Marshall Excelsior Co.