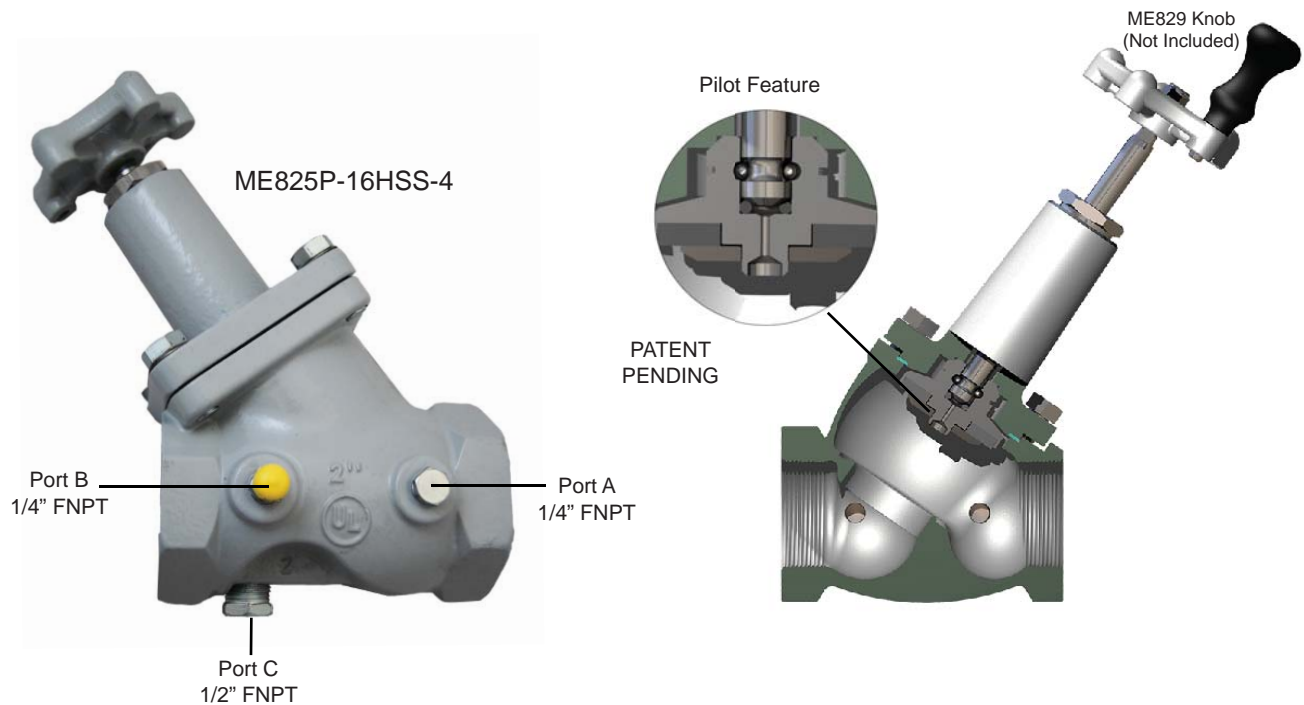


2" Bottom Port Pilot Operated Globe Valves



Purpose:

Provides a positive shut-off valve that is highly reliable with full flow performance while providing bi-directional flow. Ideally suited for use on transport trailers with 1/2" blow down lines to provide rapid and complete product evacuation prior to disconnecting transfer hose. Valves can be purchased with hydrostatic relief valves pre-installed on the out board side port of the globe valve main seal.

- All of the same great features of the original full flow MEC globe valves with additional product performance enhancements.
- **Pilot Feature: (P)** This globe valve model incorporates a pilot orifice feature to facilitate pressure equalization in sections of system piping that have bidirectional flow or high differential pressures. This greatly reduces the opening torque required and prevents premature wear of the valve seat.

Next Generation Globe and Angle Valves					
Part No.	Description	1/4" FNPT Side Port A	1/4" FNPT Side Port B	1/2" FNPT Bottom Port C	Inlet/Outlet
ME825P-16-4	Full Flow Valve with Integrated Pilot Feature	Plugged	Plugged	Plugged	2" FNPT
ME825P-16H-4	Full Flow Valve with Integrated Pilot Feature	Plugged	MEH225	Plugged	2" FNPT
ME825P-16HSS-4	Full Flow Valve with Integrated Pilot Feature	Plugged	MEH225SS	Plugged	2" FNPT
Replacement Parts					
Part No.	Description				
ME815P-16BRK	2" Angle & Globe Valve with Pilot - Complete Bonnet Assembly				
ME815P-16SRK	2" Angle & Valve with Pilot - Seal Replacement Kit				
ME815-10/16HRK	1-1/4", 1-1/2" & 2" Angle & Globe Valve Replacement Handle & Retaining Nut				



For Your Local Marshall Excelsior Distributor Call 269-789-6700,
 Fax 269-781-8340 or E-mail: sales@marshallexcelsior.com
 www.marshallexcelsior.com



Made in the U.S.A