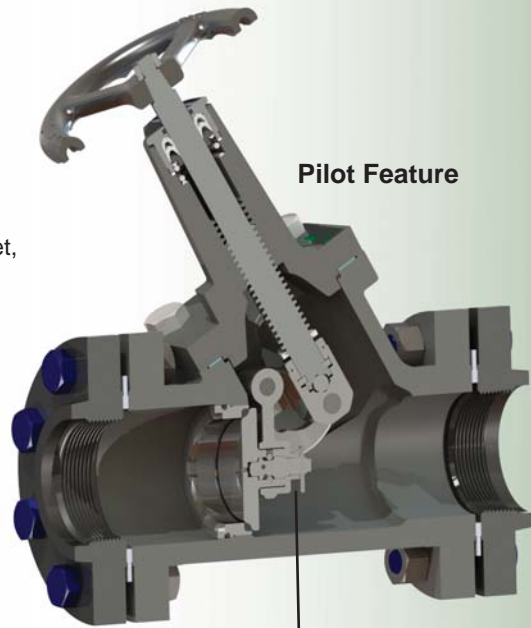


Full Port Flanged Globe Valves

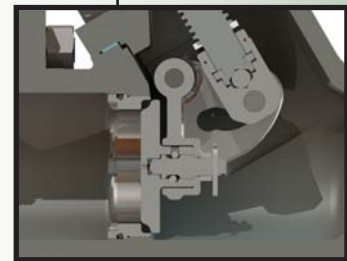


ME825-3F

Note:
Companion Flange, Gasket,
Studs & Nuts Not Included



Pilot Feature



APPLICATION:

Provides a positive shut-off valve that is highly reliable with full flow performance.

- Has same great reliable and durable teflon stem packing glands as our other globe valves
- Features exclusive slip cam construction for full port flow rates
- All stainless steel internal component construction for maximum corrosion resistance
- Removable bonded main seat disc assembly
- Same overall length as ANSI ball valve

~ **Pilot Feature:** These globe valve models incorporate a pilot orifice feature to facilitate pressure equalization in sections of system piping that have high pressure differentials. This greatly reduces the opening torque required and prevents premature wear of the valve seat.



Full Port Flanged Globe Valves				
Part No.	Description	Side Port	Inlet	Outlet
ME825-3F	Full Port Globe Valve with Integrated Pilot Feature	1/4" FNPT	3"-300 LB	3"-300 LB
ME825-4F	Full Port Globe Valve with Integrated Pilot Feature	1/4" FNPT	4"-300 LB	4"-300 LB
Replacement Parts & Accessories				
Part No.	Description			
ME825-3F-BRK	3" Flanged Globe Valve Complete Bonnet Repair Kit			
ME825-3F-SRK	3" Flanged Globe Valve Seal Repair Kit			
ME825-4F-BRK	4" Flanged Globe Valve Complete Bonnet Repair Kit			
ME825-4F-SRK	4" Flanged Globe Valve Seal Repair Kit			
ME980SK-24	3" & 4"-300LB ESV & Globe Valve Flange Stud Kit			
ME904S-3F-027	3"-300 LB Spiral Ring Flange Gasket-Carbon Steel			
ME904S-4F-027	4"-300 LB Spiral Ring Flange Gasket-Carbon Steel			