

NOTE: Numbers in brackets [] refer to the number in the valve component list. Numbers in parenthesis () refer to quantity.

A. Disassembly

1. **EVACUATE ALL PRESSURE FROM SYSTEM BEFORE ANY DISASSEMBLY OR REPAIR.**
2. Remove (4) Hex Screws [11] from Bonnet [1] and retain.
3. Remove Nameplate [12] and retain.
4. Remove Nylock Nut [6], Lock Washer [7], and Handwheel [8] from Stem [9a] and retain.
5. Remove Valve Shaft Gland Assembly [3], Spring [4] and Nylon Gland Seal [5]. Discard all internal Gland Assembly components [3b-3f] and Nylon Gland Seal [5]. Retain Valve Shaft Gland [3a] and Spring [4].

NOTE: Removed Gland Assembly components may differ from Repair Kit.

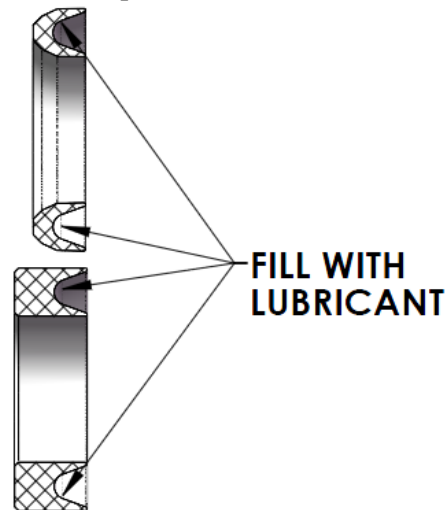
6. Remove Stem Assembly [9] from Bonnet [2] and retain.
7. Remove Wire Retaining Ring [9b], Set Screw [9c], and (9) Ball Bearings [9d] from Valve Holder Assembly [9f] and retain.
8. Remove Stem [9a] from Valve Holder Assembly [9f] and discard Valve Holder Assembly [9f].
9. Remove Bonnet Seal [10] from Body [1] and discard.
10. Inspect Body [1] and Bonnet [2] and clean if necessary. Be sure the interior is free of dirt, residue, and foreign particles.

B. Re-assembly

1. Install Stem [9a] into Valve Holder Assembly.
2. Install (9) Ball Bearings [9d] into Valve Holder Assembly [9f] to retain Stem [9a].
3. Install Set Screw [9c] into Valve Holder Assembly [9f] until it stops against Ball Bearings [9d], turn Set Screw [9c] back out ½ turn. Align groove in

Set Screw [9c] with groove in Valve Holder Assembly [9f]. Valve Holder Assembly [9f] must spin freely.

4. Install Wire Retaining Ring [9b] into groove in Valve Holder Assembly [9f].
5. Install Stem Assembly [9] into Bonnet [2].
6. Install Spring [4] and Nylon Gland Seal [5] into Bonnet [2].
7. Apply Lubriplate or equivalent grease to [1] Stem O-Ring [3b], Male Adapter Bushing [3g], and inside of Valve Shaft Gland [3a].
8. Apply Lubriplate or equivalent grease to outside of Female Adapter [3e] and (2) V-Packs [3f]. Fill inside of components with lubricant as shown.

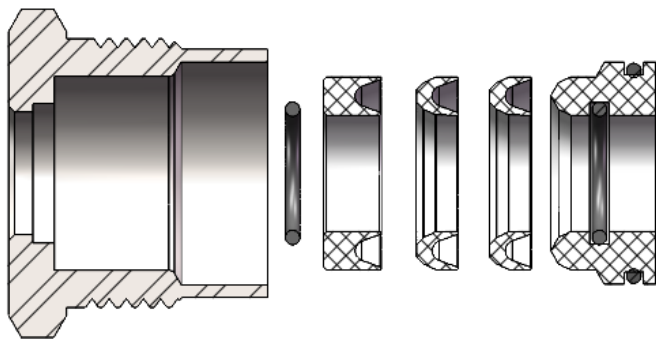


9. Install Stem O-Ring [3b], Female Adapter [3e], (2) V-Packs [3f], Bushing O-Ring (cut) [3h] and Male Adapter Bushing [3g] into Valve Shaft Gland [3a] as shown.

Marshall Excelsior Company

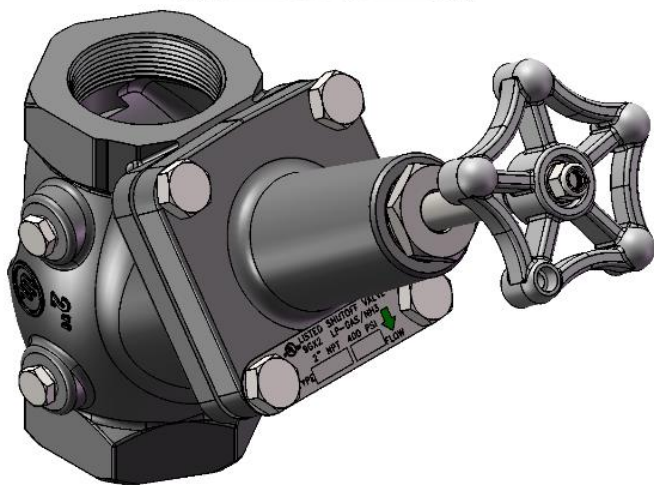
1506 George Brown Drive Marshall, MI 49068
 Phone (269) 789-6700 Fax (269) 781-8340
 www.marshallexcelsior.com

ME815/ME825SRK



10. Apply Loctite #565 or equivalent thread sealant to threads of Gland Seal Assembly [3] and install over Stem Assembly [9] into Bonnet [2]. Wipe away excess lubricant.
11. Install Bonnet Seal [10] into Body [1].
12. Install Bonnet [2] onto Body [1].
13. Install Nameplate [12] onto Bonnet [2] as shown.

15. Install Handwheel [8], Lock Washer [7], and Nylock Nut [6] onto Stem [9a]. Tighten Nylock Nut [6] to 55-65 IN-LBS torque.
16. Connect the valve assembly outlet to a pressure source of at least 150 PSI. Check for leaks at all joints and at stem seal using a suitable leak detector solution such as “Marshall Excelsior” leak detector.
CAUTION: DO NOT USE THE VALVE IF ANY JOINT CONTINUES TO LEAK UNDER PRESSURE.

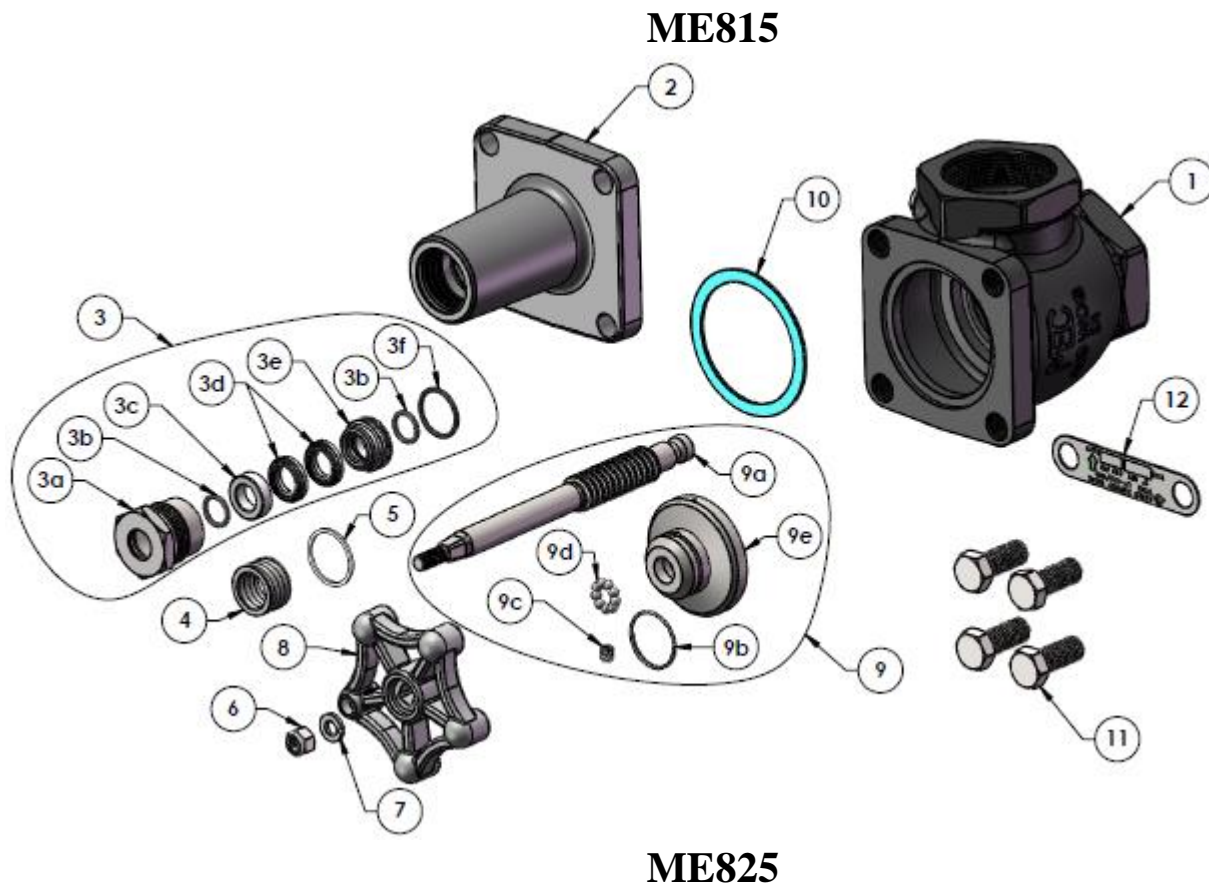


14. Install (4) Hex Screws [11] onto Bonnet [2].

ME815/ME825SRK

C. Component List

1. Body, Globe or Angle
2. Bonnet
3. Gland Seal Assembly
 - 3a. Valve Shaft Gland
 - 3b. Stem O-Ring; Qty: 2
 - 3c. Female Adapter
 - 3d. V-Pack; Qty: 2
 - 3e. Male Adapter Bushing
 - 3f. Bushing O-Ring (cut)
4. Spring
5. Nylon Gland Seal
6. Nylock Nut
7. Lock Washer
8. Handwheel
9. Stem Assembly
 - 9a. Stem
 - 9b. Wire Retaining Ring
 - 9c. Set Screw
 - 9d. Ball Bearing; Qty: 9
 - 9e. Valve Holder Assembly
10. Bonnet Seal
11. Hex Screw; Qty: 4
12. Nameplate



ME815/ME825SRK

