

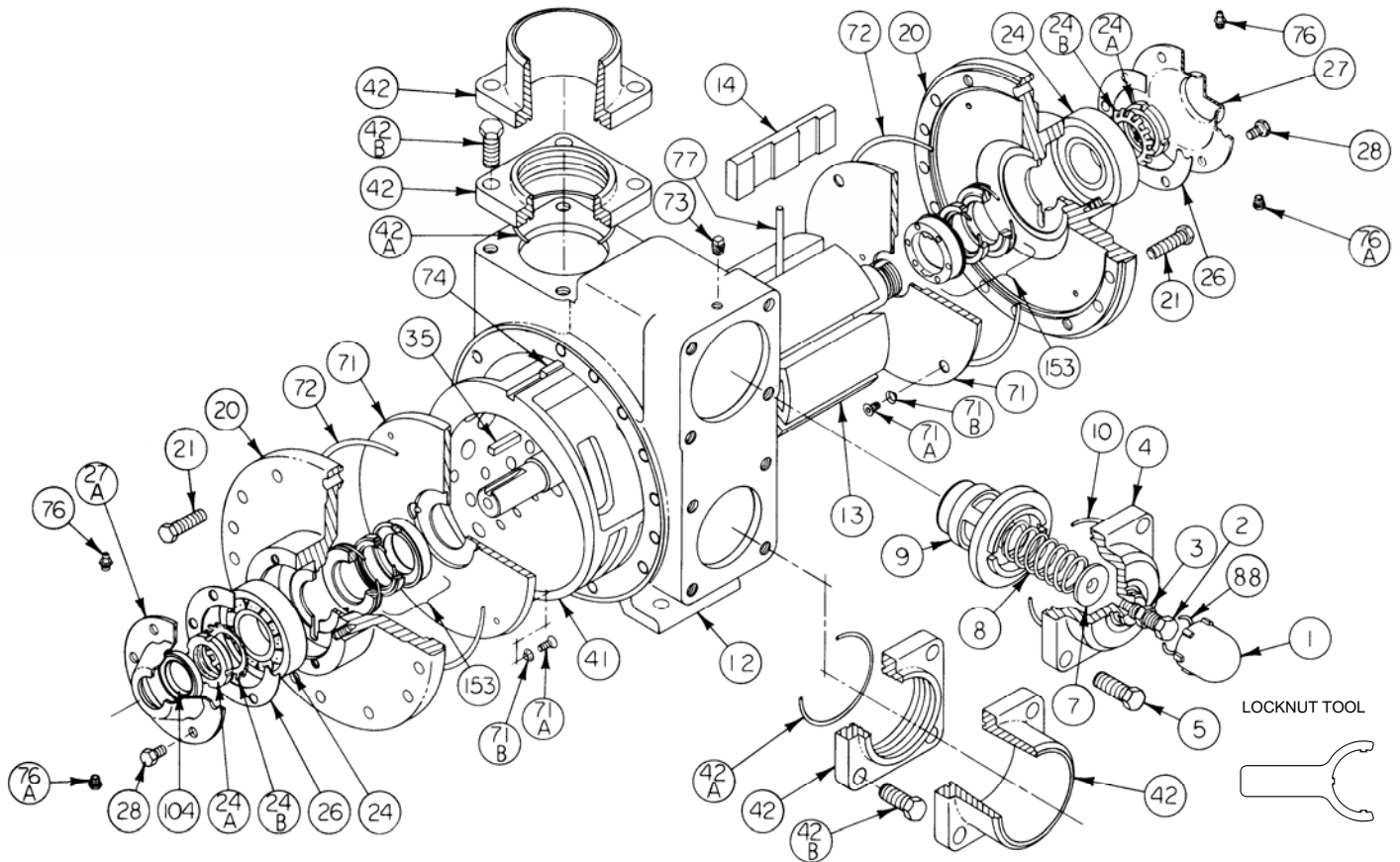
# BLACKMER PARTS LIST

## PUMP MODELS: LGL4B

962017 **PARTS LIST**  
Page 1 of 2 **501-E02**

Keep with Instructions 501-E00 for Installation, Operation and Maintenance

Section 501  
Effective Jun 2011  
Replaces Jan 2010



Ref. No.	Description	Parts Per Pump	Part No.	Ref. No.	Description	Parts Per Pump	Part No.
1	Cap - Relief Valve (R/V)	1	413957	35	Key - Shaft	1	<sup>1</sup> 909183
2	Adjusting Screw - R/V	1	436310	41	Liner	1	182000
3	Locknut - Adjusting Screw	1	432039	42	Flange - 3" NPT	1 - 2	652012
4	Cover - R/V	1	412001		Flange - 3" Weld		652007
5	Capscrew - R/V Cover	4	920663		Flange - 4" Weld		652005
7	Spring Guide - R/V	1	426355	42A	O-Ring - NPT, Weld Flange	2	<sup>1</sup> 701937
8	Spring - R/V	1	<sup>1</sup> 472039	42B	Capscrew - NPT Flange	8	920663
9	Valve - R/V	1	452001		Capscrew - Weld Flange		920640
10	O-Ring - R/V Cover	1	<sup>1</sup> 701946	71	Disc	2	<sup>1</sup> 062039
12	Casing	1	012019	71A	Machine Screw - Disc	8	920015
13	Rotor & Shaft Assy, Single End (Includes Ref. No. 24A & 24B)	1	262023	71B	Lockwasher - Machine Screw	8	909634
14	Vane - Duravane	6	<sup>1</sup> 092019	72	O-Ring - Head	2	<sup>1</sup> 702039
20	Head	2	032041	73	Gage Plug	2	908198
21	Capscrews - Head	28	920532	74	Key - Liner	1	182040
24	Ball Bearing	2	<sup>1</sup> 903172	76	Grease Fitting	2	317815
24A	Locknut - Bearing	2	903541	76A	Grease Relief Fitting	2	701992
24B	Lockwasher - Bearing	2	<sup>1</sup> 903542	77	Push Rod - metal - LGL4B	3	<sup>1</sup> 122005
26	Gasket - Bearing Cover	2	<sup>1</sup> 385125	88	O-Ring - R/V Cap	1	<sup>1</sup> 701926
27	Bearing Cover - Inboard, LGL4B	1	041815	104	Grease Seal - LGL4B	1	<sup>1</sup> 331908
27A	Bearing Cover - Outboard, LGL4B	1	041817		Tool - Locknut		903092
28	Capscrews - Bearing Cover	12	920285		Kit - Maintenance		898922

<sup>1</sup> Included in Maintenance Kit

**MECHANICAL SEAL**

Ref. No.	Part Name	Parts Per Pump	Part No.
153	Mechanical Seal Assembly	2	<sup>1</sup> 332050
153A	Stationary Seat (Hardened Steel)	2	**
153B	Seal Face (Carbon)	2	**
153C	Jacket Assembly	2	**
153D	O-Ring - Stationary (Buna-N)	2	701934
153E	O-Ring - Rotating (Buna-N)	2	711912

<sup>1</sup> Included in Maintenance Kit and Rebuild Kit

\*\* NOTE: Mechanical Seal Ref. No. 153 is only sold as a complete assembly.  
Ref. Nos. 153A, 153B & 153C are not available as separate replacement parts.

