

BLACKMER PARTS LIST

960404

Page 1 of 2

PARTS LIST

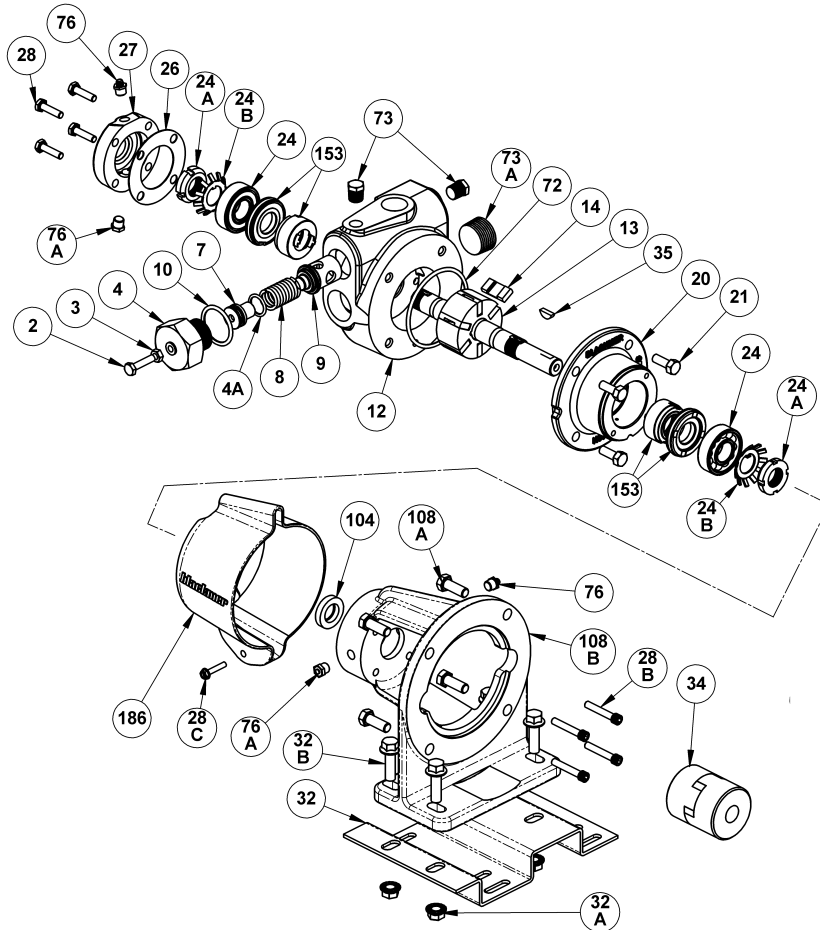
501-F01_sep03

PUMP MODELS: LDF1A, LDF1PA,
 Aug 2007: Discontinued Models, parts availability may be limited

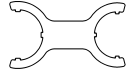
(See Instructions 501-F00 for Installation, Operation and Maintenance)

Section
 Effective
 Replaces

501
 September 2003
 New



LOCKNUT TOOL



Ref. No.	Description	Parts per Pump	Part No.	Ref. No.	Description	Parts per Pump	Part No.
2	Adjusting Screw – Relief Valve (R/V)	1	432901	28C	Guard Screw	1	920026
3	Locknut – Adjusting Screw	1	922811	32	Bent Metal Base	1	901980
4	Cover – R/V	1	412901	32A	Nut	4	923053
4A	O-Ring – Spring Guide	1	¹ 711940	32B	Capscrew	4	920950
7	Spring Guide – R/V	1	422901	34	Coupling Half – Pump	1	906150
8	Spring – R/V	1	472901		Coupling Half – Motor (56C)		906151
9	Valve – R/V	1	452902		Coupling Half – Motor (143-145TC/184C)		906147
10	O-Ring – R/V Cover	1	¹ 701965		Coupling Spider		906155
12	Cylinder – LDF1	1	022914	35	Key – Shaft	1	¹ 909126
	Cylinder – LDF1P		022915	72	O-Ring – Head	1	¹ 711941
13	Rotor & Shaft Assembly (Includes Ref. Nos. 24A & 24B)	1	262907	73	Gage Plug (1/4")	2	908198
14	Vane – Duravane (Std.)	6	¹ 092913	73A	Plug (1"), Alternate Discharge	1	908233
20	Head	1	032905	76	Grease Fitting	2	317815
21	Capscrews – Head	4	920178	76A	Grease Relief Fitting	2	701992
24	Ball Bearing	2	¹ 903405	104	Grease Seal	1	¹ 331934
24A	Locknut – Bearing	2	903531	108A	Capscrews – Bracket	4	920331
24B	Lockwasher – Bearing	2	¹ 903532	108B	Bracket (C-faced footed)	1	833000
26	Gasket – Bearing Cover	1	¹ 383075	186	Guard	1	804120
27	Bearing Cover	1	043071		Tool - Locknut		903090
28	Capscrews – Bearing Cover	4	920080		Kit - Maintenance		898994
28B	Bracket Mounting Screws	4	920101				

¹ Included in Maintenance Kit.

Keep this parts list with Installation, Operation and Maintenance Instructions.

MECHANICAL SEAL

Ref. No.	Part Name	Parts Per Pump	Part No.
153	Mechanical Seal Assembly	2	¹ 332920
153A**	Jacket Assembly – Seal	2	332922
153B**	Stationary Seat (Steel)	2	332901
153D	O-Ring – Stationary Seat (Buna-N)	2	711916
153F**	Seal Face (Carbon)	2	332902
153G	O-ring – Rotating (Buna-N)	2	711939

¹ Included in Maintenance Kit** Ref. Nos. 153A, 153B & 153F are not availal

