

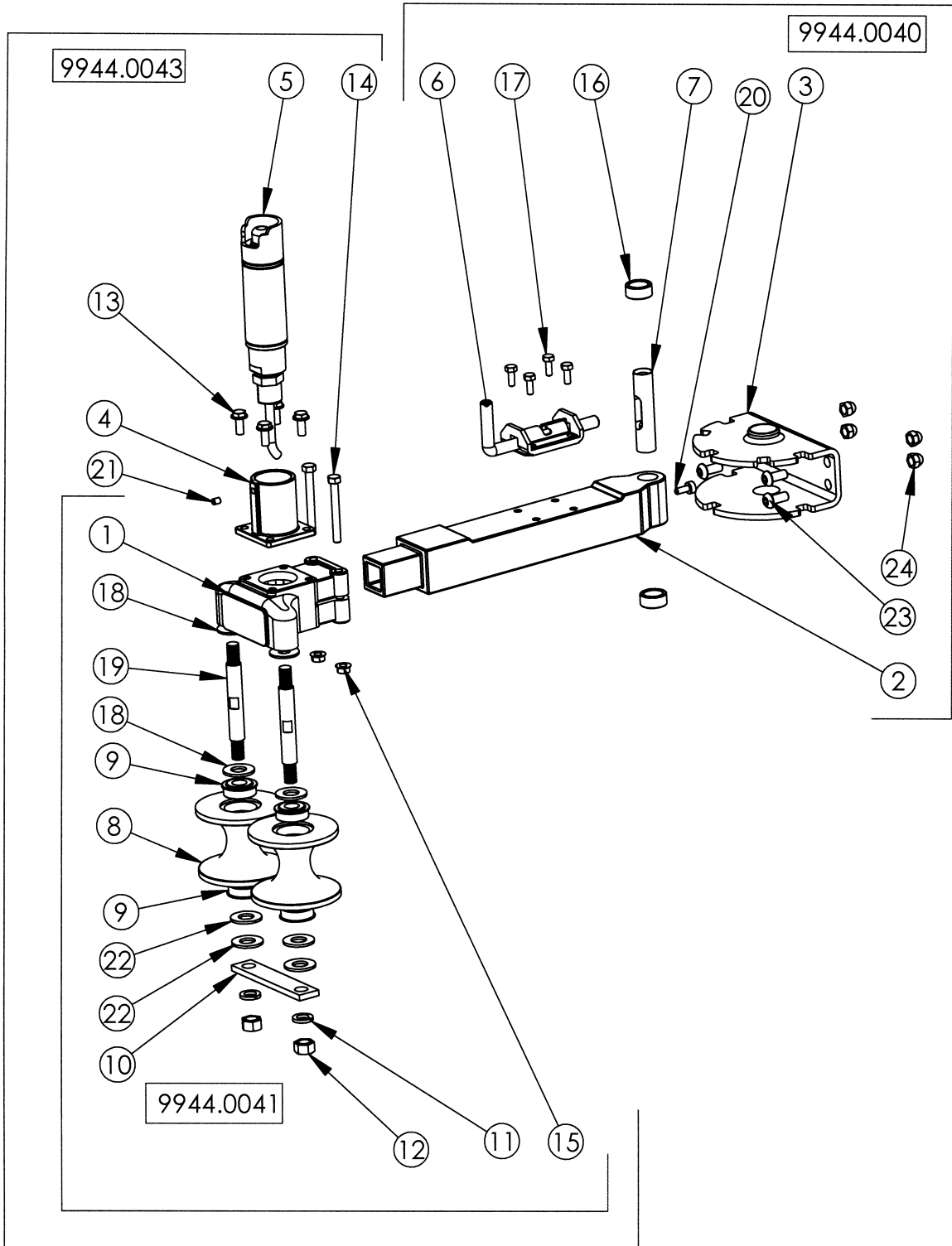


Hannay Reels®

The reel leader.

Hannay Reels, Inc., 553 State Route 143
Westerlo, NY 12193-0159
Telephone 518-797-3791; Toll Free 1-877-GO-REELS
FAX 1-800-REELING (733-5464)
INT'L FAX (518) 797-3259
Website: www.hannay.com
E-mail: reels@hannay.com

ISO 195 PARTS LIST MODEL GM-700



PARTS LIST
ISO-195
HANNAY GUIDEMASTER (model GM-700)

When ordering parts
BE SURE TO SPECIFY COMPLETE MODEL NUMBER and SERIAL NUMBER OF REEL.
USE PART NUMBER!

<u>Item No.</u>	<u>Description</u>	<u>PART NUMBER</u>	<u>Quantity</u>
ISO-195-1	Roller Body Casting w/Mounting Bolts (for GM-700)9945.1001	1
ISO-195-2	Guide Arm Casting (for GM-700)9945.1002	1
ISO-195-3	Mounting Yoke with Bronze Bushings9945.0009	1
ISO-195-4	Switch Mounting Bracket (for GM-700)9917.0207	1
ISO-195-5	EPS-1 Explosion-Proof Switch9917.0200	1
ISO-195-6	Guidemaster Pinlock Assembly, S/S (for GM-700)9945.1003	1
ISO-195-7	SST Pivot Pin (with 1/4" cap screw & lock washer)9945.0024	1
ISO-195-8	GM-609 Roller (with 2 Pressed-in Ball Bearings)9945.0019	2
ISO-195-9	GM-608 Ball Bearing9945.0026	4
ISO-195-10	Guidemaster Bottom Roller Plate (for GM-700)9945.1004	1
ISO-195-11	1/2" Lock Washer9954.0030	2
ISO-195-12	1/2"-13 Hex Nut9954.0036	2
ISO-195-13	1/4"-20 x 3/4" Socket Head Cap Screw9945.0015	4
ISO-195-14	5/16"-24 x 2-1/2" Plated Bolt with Nut9945.0013	2
ISO-195-15	5/16"-24 Hex Nut9945.0027	2
ISO-195-16	Oil-impregnated Bronze Bushing for Yoke9945.0011	2
ISO-195-17	1/4"-20 x 3/4" SST Socket Head Cap Screw9945.0015	4
ISO-195-18	1/2" Flat Washer9954.0008	2
ISO-195-19	Roller Mounting Bolt (threaded) for GM-7009945.1005	2
ISO-195-20	1/4"-20 x 5/8" SST Socket Head Cap Screw and Lock Washer9945.0055	2
ISO-195-21	1/4"-20 X 5/16" Set Screw9958.0010	1
ISO-195-22	5/8" Flat Washer9954.0004	6
ISO-195-23	3/8"-16 x 3/4" Button Socket Head9904-9201	4
ISO-195-24	3/8"-16 Hex Acorn Nut9904.5290	4