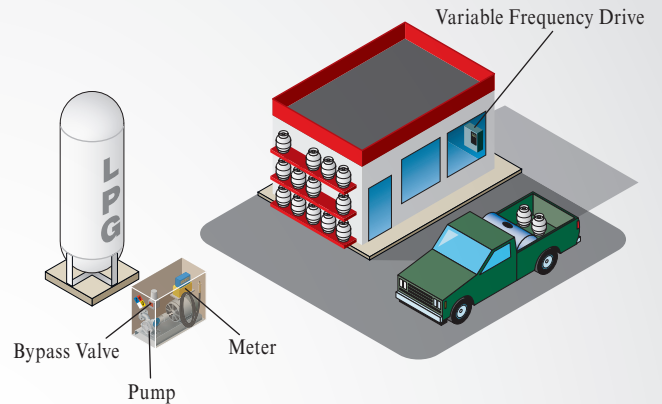
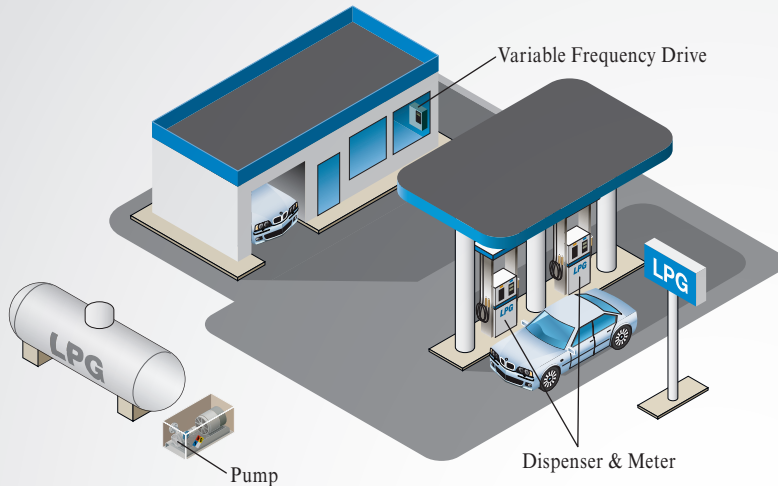


HDP150 Autogas Pump

Ideal for High Differential Pressure (HDP) Applications
Such as Liquid Fuel Injection Vehicles



Suitable for Multiple Dispenser Applications...

In our continuous effort to meet the demands of high pressure fueling systems, the model 150 is designed for high differential pressure applications requiring larger capacities. Whether it is two dual hose dispensers or up to four single hose dispensers, the model 150 is a great choice for multiple hose applications.

Options Available For Single and Three Phase Electrical Sources...

Whether you are using single or three phase electricity, Corken has an autogas package for your application. If you have single phase electricity, you will use our optional variable frequency drive (VFD) package.

If your business uses three phase electricity, you will use our standard autogas package with a typical wiring configuration.

Variable Frequency Drive (VFD) Has Many Features and Benefits...

- Easily converts single phase source to three phase service.
- Slow start-up feature eliminates flow surges.
- Variable motor speed capability maximizes pump performance.
- Includes motor overload protection to minimize potential damage.
- Shipped pre-programmed at 60 Hz with 4 second ramp-up speed.
- Magnetic starter is not required so your installation costs are minimized.
- Standard remote switch available.

Designed for Aboveground and Underground Tank Applications...

Unlike submersible designs, the model 150 is mounted aboveground so there is no need to disturb the piping. It has fewer wear parts than the competition and all parts are easily accessed by simply removing the pump head. These features allow you to quickly service the pump on site and minimize costly downtime thereby making the model 150 autogas pump a cost effective alternative.

Available HDP Packages

Autogas Pump with Electric Motor Bypass Valve Variable Frequency Drive

Standard Package Includes: <ul style="list-style-type: none">• FF/DLF150 autogas pump• Electric motor (10 hp)• Bypass valve• Baseplate (FF150 only)	Optional Variable Frequency Drive (VFD) Package Includes: <ul style="list-style-type: none">• Variable frequency drive (VFD)• FF/DLF150 autogas pump• Electric motor (10 hp)• Bypass valve• Baseplate (FF150 only)
---	---

Solutions beyond products...



Continuous Duty Design...

Built for continuous duty service, the model 150 autogas pump incorporates heavy duty bearings, free floating impeller, a single mechanical seal, ANSI or DIN flange connections, metric fasteners, and a ductile iron case.

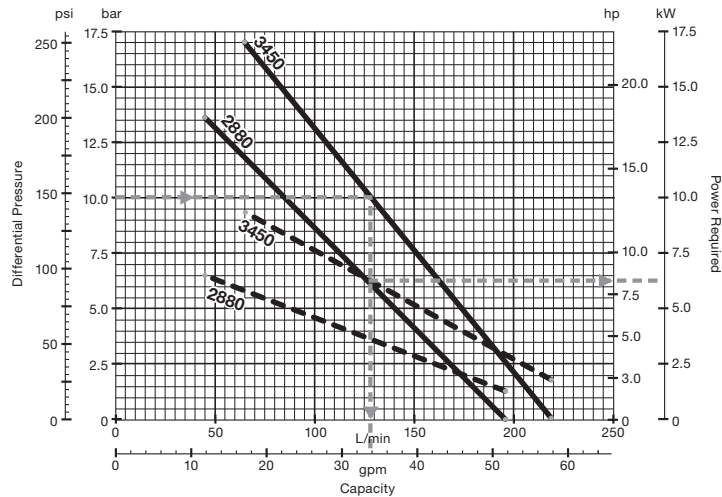
Multiple Mounting Options...

The model 150 autogas pump is available with two mounting options. You may select a frame mount (FF150) for direct or belt drive configurations or a direct mount (DLF150) that bolts to a standard C-Face 50 Hz (2880 RPM) or 60 Hz (3450 RPM) motor.

Operating Specifications

Inlet: 1-1/2" ANSI 300# RF (DIN opt.)
Outlet: 1" ANSI 300# RF (DIN opt.)
RPM: 3450 @ 60 Hz, 2880 @ 50 Hz
Max. working pressure: 400 psig (27.6 bar)
Maximum driver: 20 hp (15 kW)
Max. differential pressure: 200 psig (13.6 bar) @ 50 Hz 250 psig (17.2 bar) @ 60 Hz
Temperature range: -25° to 225°F (-32° to 107°C)
Flow range: 12-58 gpm (45.4 to 219.6 L/min)

Performance Curves



3450 RPM @ 60 Hz

Differential pressure:
10.0 bar
145.0 psi

Flow:
128 L/min
33.8 gpm

Power required:
6.3 kW
8.4 hp

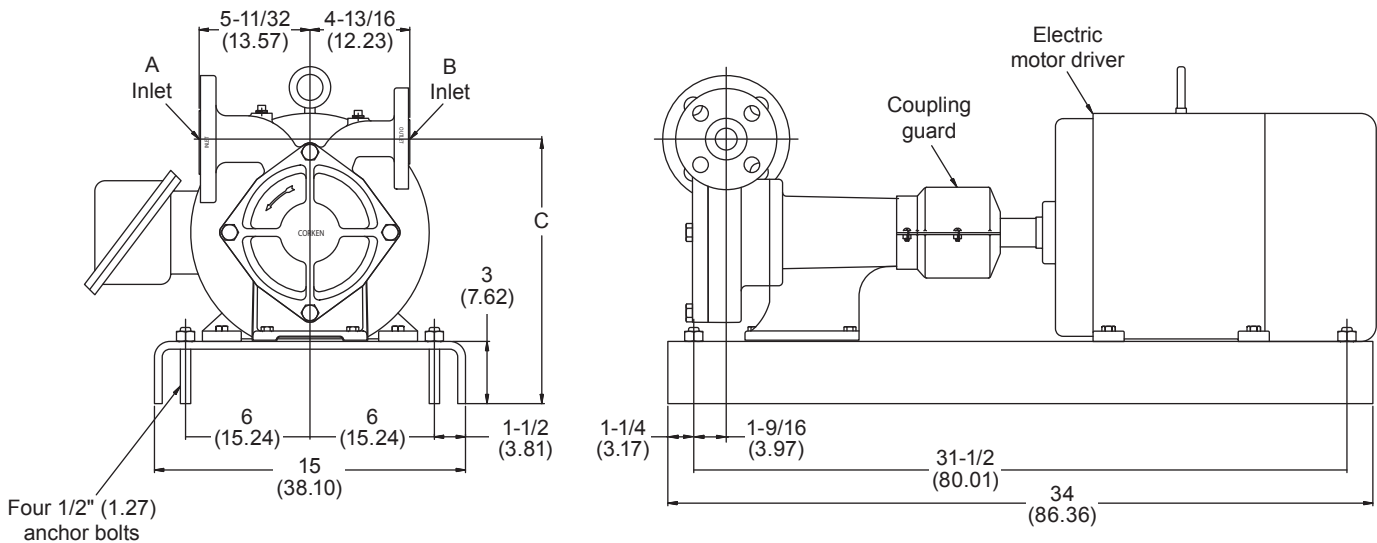
Curves based on LPG¹

Capacity

Power required

¹The performance curves are based on aboveground LPG installations. Performance curves for underground LPG tanks will vary based on the specific installation. Consult factory.

Outline Dimensions for HDPFF150-101 Mounting



All dimensions are in inches (centimeters).

Flange Dimensions		
Model	A (inlet)	B (outlet)
FF150	1-1/2" ANSI 300#	1" ANSI 300#
FD150	DIN 2635, 40 PN, 40 mm	DIN 2635, 40 PN, 25 mm

C Dimensions All Models	
182T-215T Frame	12-3/4" (32.40)
254T-256T Frame	13-3/4" (34.94)

QUALITY
ISO 9001
SYSTEM

Solutions beyond products...
CORKEN
IDEX

ENVIRONMENTAL
ISO 14001
MANAGEMENT
SYSTEM

Corken, Inc. • A Unit of IDEX Corporation
3805 N.W. 36th St., Oklahoma City, OK 73112 U.S.A.
Phone (405) 946-5576 • FAX (405) 948-7343

Visit our website at <http://www.corken.com> • E-mail us at info.corken@idexcorp.com