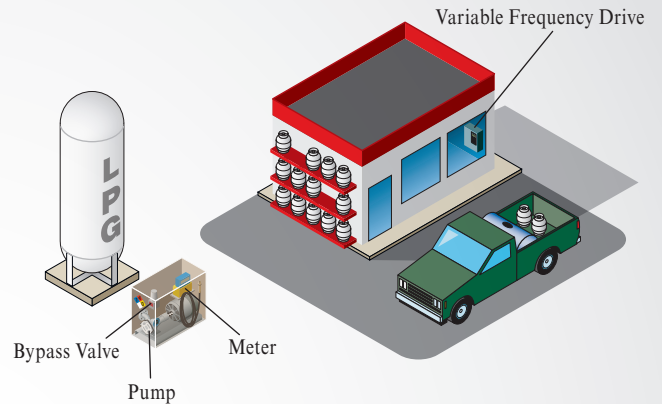
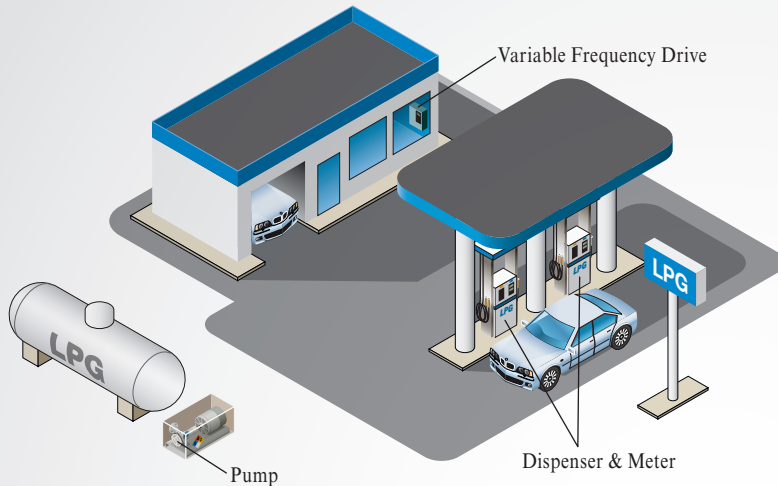


# HDP075 Autogas Pump

Ideal for High Differential Pressure (HDP) Applications  
Such as Liquid Fuel Injection Vehicles



## Suitable for Aboveground and Underground Tank Applications...

In our continuous effort to meet the demands of high pressure fueling systems, the 075 autogas pump is designed for high differential pressure applications with a lower flow rate and horsepower than the model 150. The 075 is mounted above ground and is a great choice for single or dual hose applications.

## Options Available For Single and Three Phase Electrical Sources...

Whether you are using single or three phase electricity, Corken has an autogas package for your application. If you have single phase electricity, you will use our optional variable frequency drive (VFD) package.

If your business uses three phase electricity, you will use our standard autogas package with a typical wiring configuration.

## Variable Frequency Drive (VFD) Has Many Features and Benefits...

- Easily converts single phase source to three phase service.
- Improves motor efficiency and reduces power consumption—draws less amperage than a 5 HP single phase motor.
- Slow start-up feature eliminates flow surges.
- Variable motor speed capability maximizes pump performance.
- Includes motor overload protection to minimize potential damage.
- Shipped pre-programmed at 60 Hz with 4 second ramp-up speed.
- Magnetic starter is not required so your installation costs are minimized.
- Standard remote switch available.

## Serviceability is Simple and Cost Effective...

Unlike submersible designs, the model 075 is mounted aboveground so there is no need to disturb the piping. It has fewer wear parts than the competition and all parts are easily accessed by simply removing the pump head. These features allow you to quickly service the pump on site and minimize costly downtime thereby making the model 075 autogas pump a cost effective alternative.

### Available HDP Packages

Autogas Pump with  
Electric Motor

Bypass  
Valve

Variable  
Frequency  
Drive

#### Standard Package Includes:

- FF/DLF075 autogas pump
- Electric motor (7.5 hp)
- Bypass valve
- Baseplate (FF075 only)

#### Optional Variable Frequency Drive (VFD) Package Includes:

- Variable frequency drive (VFD)
- FF/DLF075 autogas pump
- Electric motor (7.5 hp)
- Bypass valve
- Baseplate (FF075 only)

Solutions beyond products...



## Continuous Duty Design...

Built for continuous duty service, the model 075 autogas pump incorporates heavy duty bearings, free floating impeller, a single mechanical seal, ANSI or DIN flange connections, metric fasteners, and a ductile iron case.

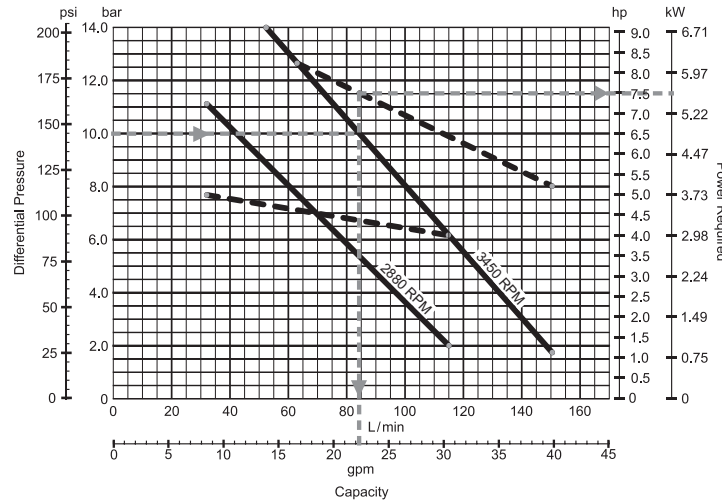
## Multiple Mounting Options...

The model 075 autogas pump is available with two mounting options. You may select a frame mount (FF075) for direct or belt drive configurations or a direct mount (DLF075) that bolts to a standard C-Face 50 Hz (2880 RPM) or 60 Hz (3450 RPM) motor.

### Operating Specifications

Inlet: 1-1/2" ANSI 300# RF (DIN opt.)
Outlet: 1" ANSI 300# RF (DIN opt.)
RPM: 3450 @ 60 Hz, 2880 @ 50 Hz
Max. working pressure: 400 psig (27.6 bar)
Maximum driver: 20 hp (15 kW)
Max. differential pressure: 150 psig (10.3 bar) @ 50 Hz 200 psig (13.6 bar) @ 60 Hz
Temperature range: -25° to 225°F (-32° to 107°C)
Flow range: 10-40 gpm (37.9 to 151.4 L/min)

### Performance Curves



**3450 RPM @ 60 Hz**

**Differential pressure:**  
10.0 bar  
145.0 psi

**Flow:**  
85 L/min  
22.5 gpm

**Power required:**  
5.59 kW  
7.5 hp

---

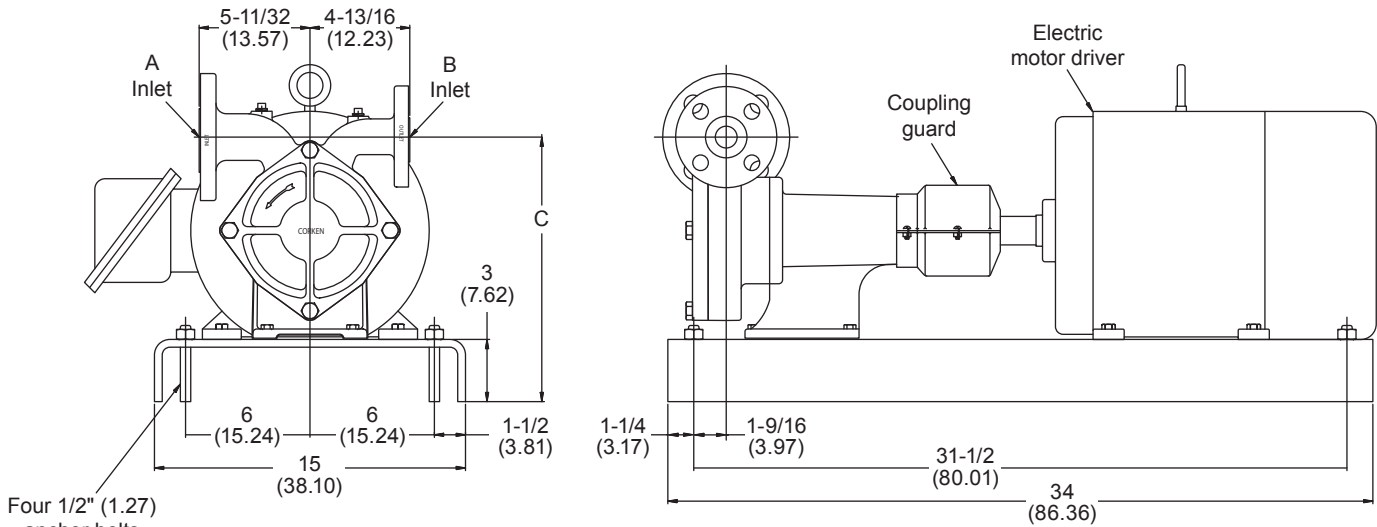
**Curves based on LPG<sup>1</sup>**

Capacity ———

Power required - - -

<sup>1</sup>The performance curves are based on aboveground LPG installations. Performance curves for underground LPG tanks will vary based on the specific installation. Consult factory.

### Outline Dimensions for HDPFF075-101 Mounting



All dimensions are in inches (centimeters).

Flange Dimensions		
Model	A (inlet)	B (outlet)
FF075	1-1/2" ANSI 300#	1" ANSI 300#
FD075	DIN 2635, 40 PN, 40 mm	DIN 2635, 40 PN, 25 mm

C Dimensions All Models	
182T-215T Frame	12-3/4" (32.40)
254T-256T Frame	13-3/4" (34.94)



Corken, Inc. • A Unit of IDEX Corporation  
3805 N.W. 36th St., Oklahoma City, OK 73112 U.S.A.  
Phone (405) 946-5576 • FAX (405) 948-7343

Visit our website at <http://www.corken.com> • E-mail us at [info.corken@idexcorp.com](mailto:info.corken@idexcorp.com)