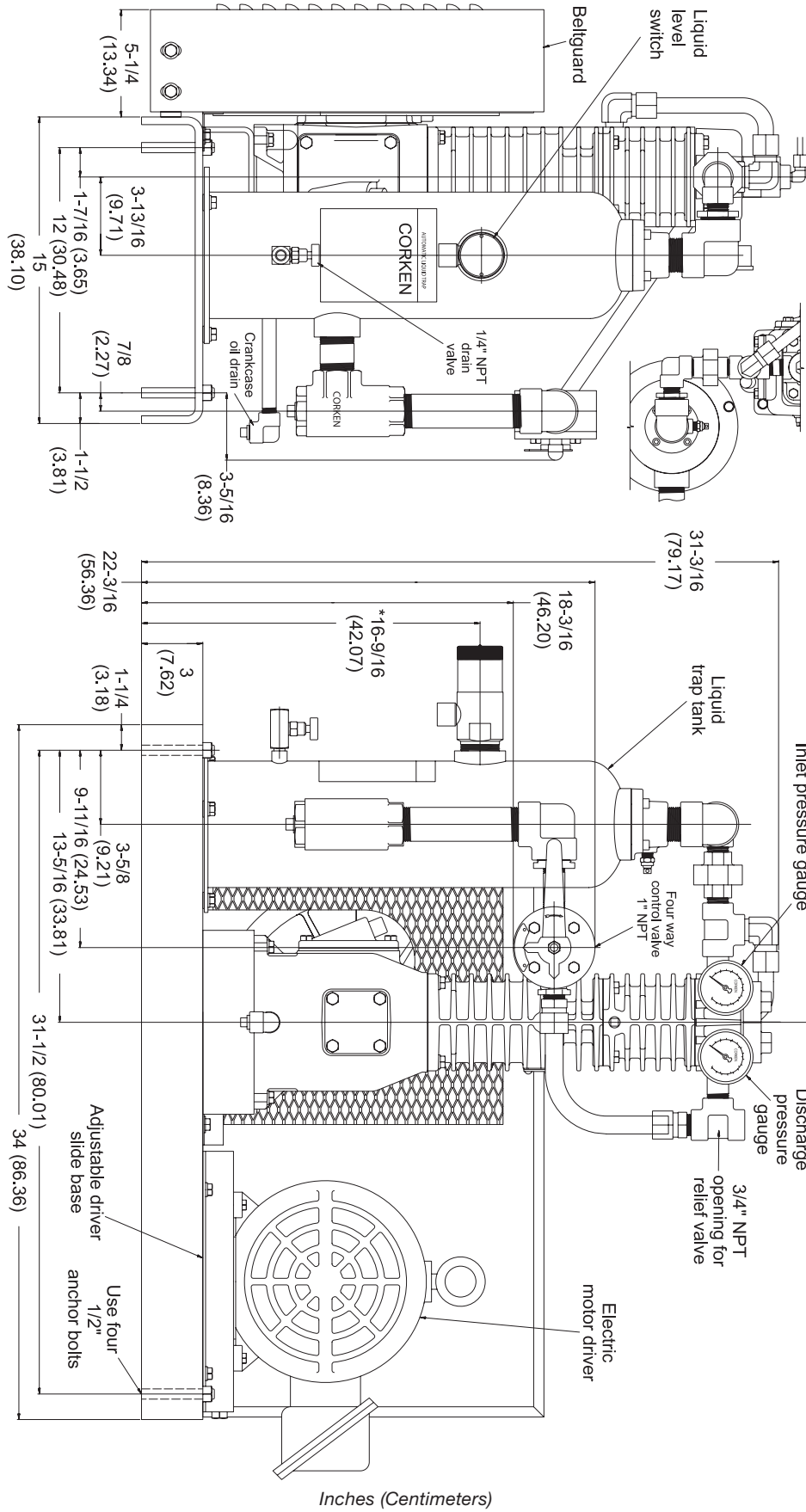


Appendix E— Outline Dimensions

Models 91 with -107 or -107A Mounting (model -107A shown below)

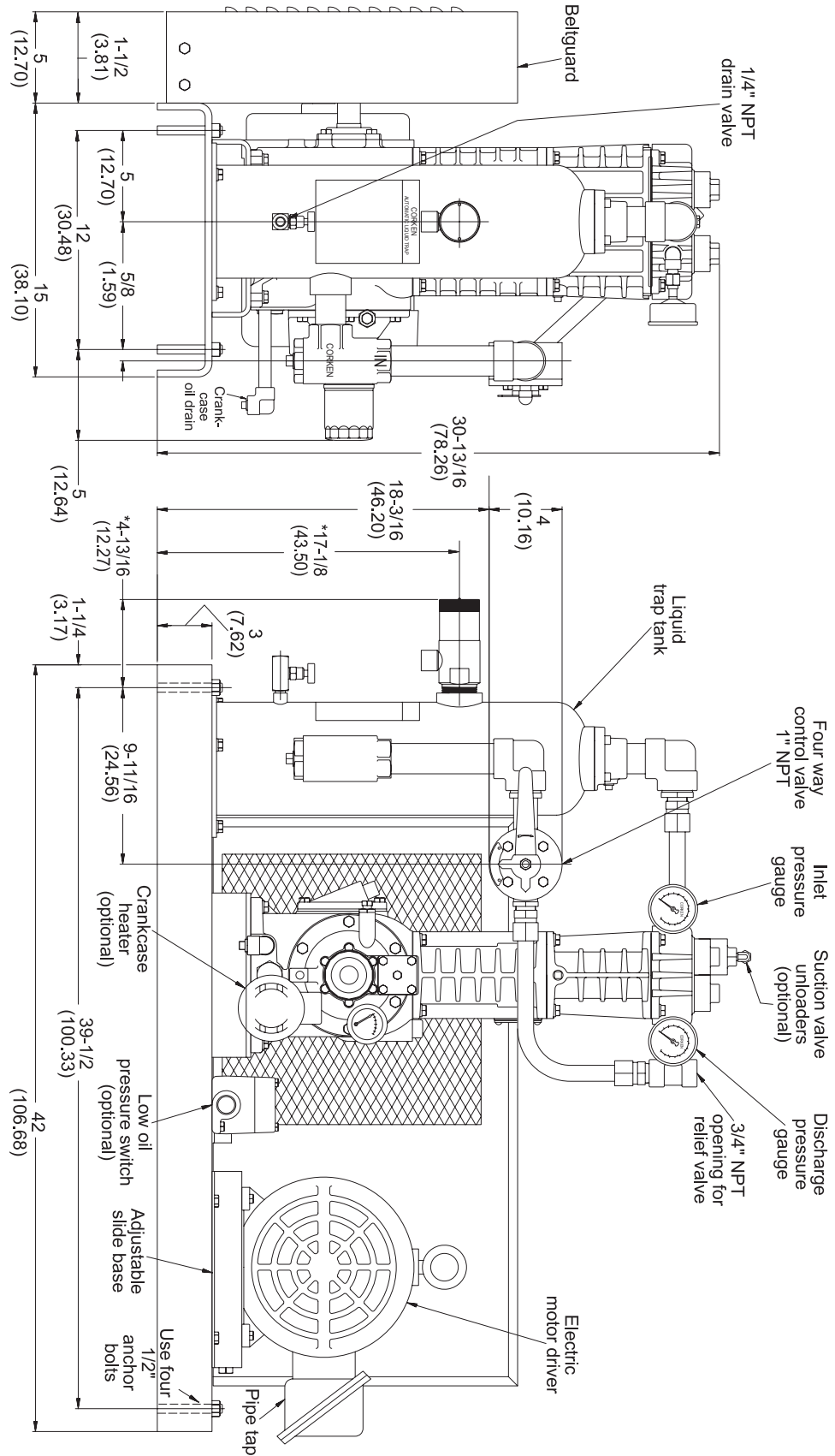


Inches (Centimeters)

* Dimensions apply to -107A mounting only

Appendix E— Outline Dimensions

Model 291 with -107 or -107A Mounting (model -107A shown below)

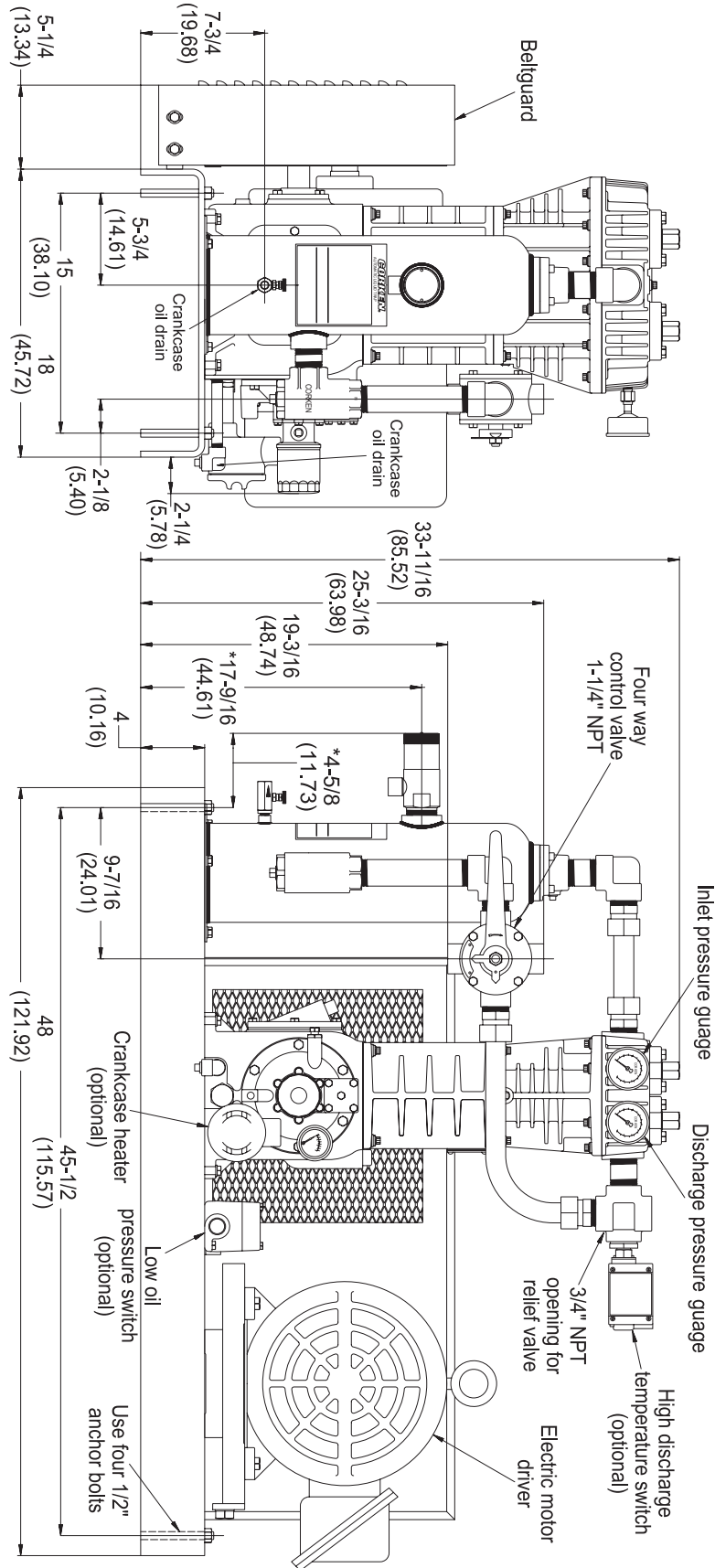


Inches (Centimeters)

* Dimensions apply to -107A mounting only

Appendix E— Outline Dimensions

Model 491 with -107 or -107A Mounting (model -107A shown below)

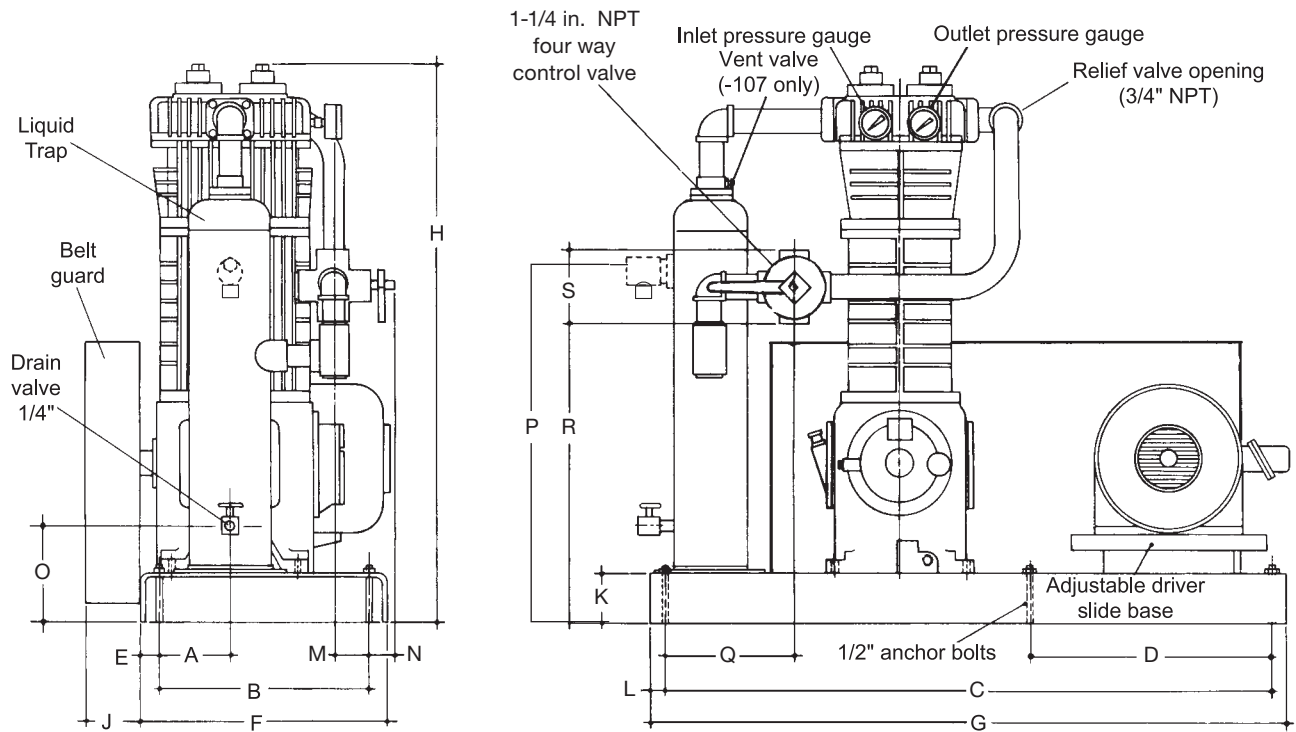


Inches (Centimeters)

* Dimensions apply to -107A mounting only

Appendix E—Outline Dimensions

Model 691 with -107 or -107A Mounting (model -107A shown below)



Inches (Centimeters)

Outline Dimensions—Inches (Centimeters)									
Model	A	B	C	D	E	F	G	H	J
691-107, -107A	8-1/4 (21.0)	17 (43.1)	49-1/2 (126)	19-3/4 (50.1)	1-1/2 (3.8)	20 (50.8)	52 (132)	43-1/4 (110)	5-1/2 (14)

Outline Dimensions—Inches (Centimeters)									
Model	K	L	M	N	O	P	Q	R	S
691-107, -107A	4 (10.1)	1-1/4 (3.2)	1/4 (0.63)	2-11/16* (6.8)*	7-3/4 (19.6)	29 (73.0)	10-1/2 (26.6)	24-1/4 (61.0)	6 (15.0)

* Dimensions apply to -107A mounting only