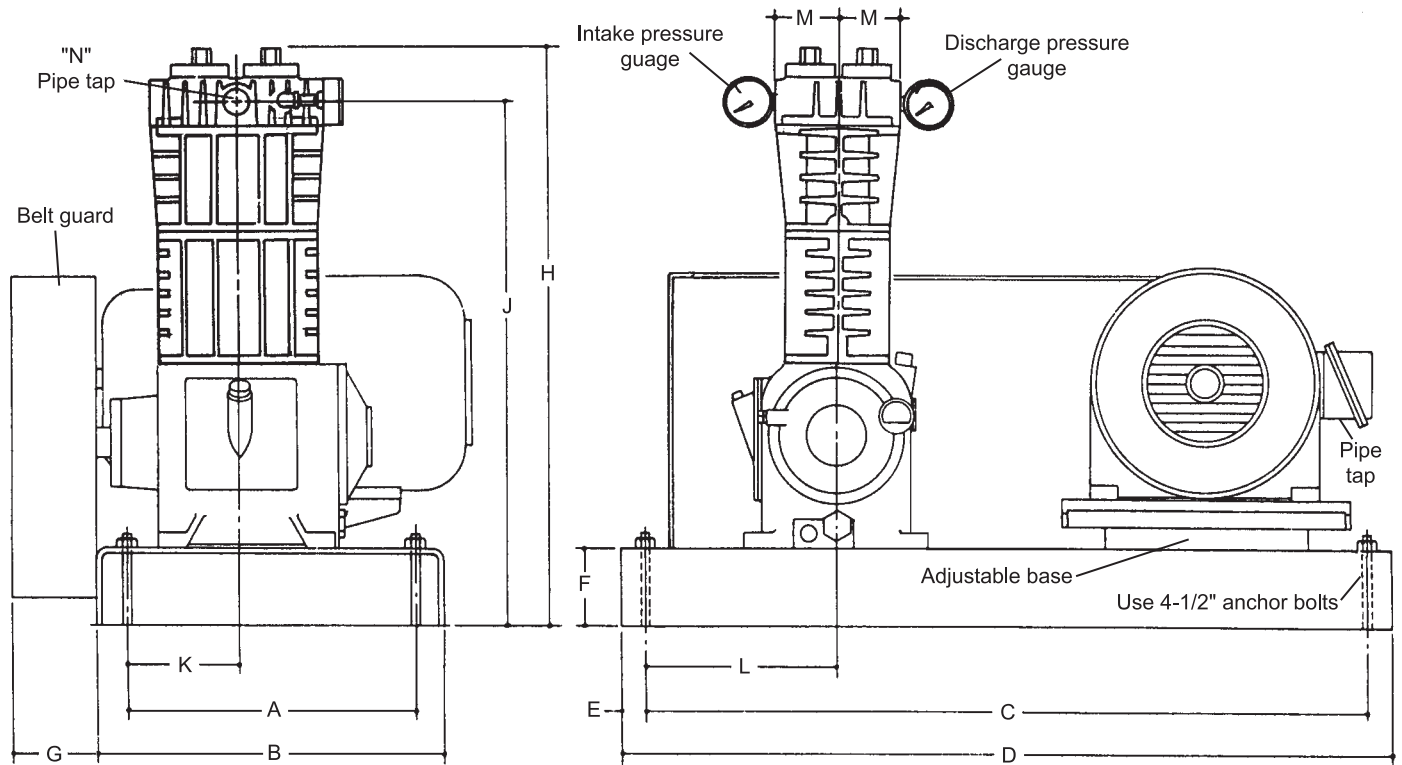


Appendix E—Outline Dimensions

Models 91–691 with 103 Mounting



Outline Dimensions—Inches (Centimeters)							
Model	A	B	C	D	E	F	G
91-103	12 (30.4)	15 (38.1)	27-1/2 (69.8)	30 (76.2)	1-1/4 (3.1)	3 (7.6)	5-1/4 (13.34)
291-103	12 (30.5)	15 (38.1)	31-1/2 (80.0)	34 (86.4)	1-1/4 (3.2)	3 (7.6)	5 (12.7)
491-103	15 (38.1)	18 (45.7)	37-1/2 (95.3)	40 (101.6)	1-1/4 (3.2)	4 (10.2)	5-1/4 (13.3)
691-103	17 (43.2)	20 (50.8)	39-1/2 (100.3)	42 (106.7)	1-1/4 (3.2)	4 (10.2)	5.5 (14.0)

Outline Dimensions—Inches (Centimeters)						
Model	H	J	K	L	M	N
91-103	28-11/16 (72.9)	26-3/8 (67.0)	4-15/16 (12.5)	7.75 (19.7)	2-11/16 (6.8)	3/4 NPT
291-103	28-22/32 (72.9)	26-6/16 (67.0)	4-15/16 (12.5)	7-3/4 (19.7)	2-11/16 (6.8)	3/4 NPT
491-103	33-11/16 (85.6)	30-3/16 (76.7)	5-3/4 (14.6)	10 (25.4)	3-15/16 (10.0)	3/4 NPT
691-103	43-1/8 (109.5)	39-1/8 (99.4)	8.25 (21.0)	9.25 (23.5)	6-3/8 (16.2)	2 NPT