

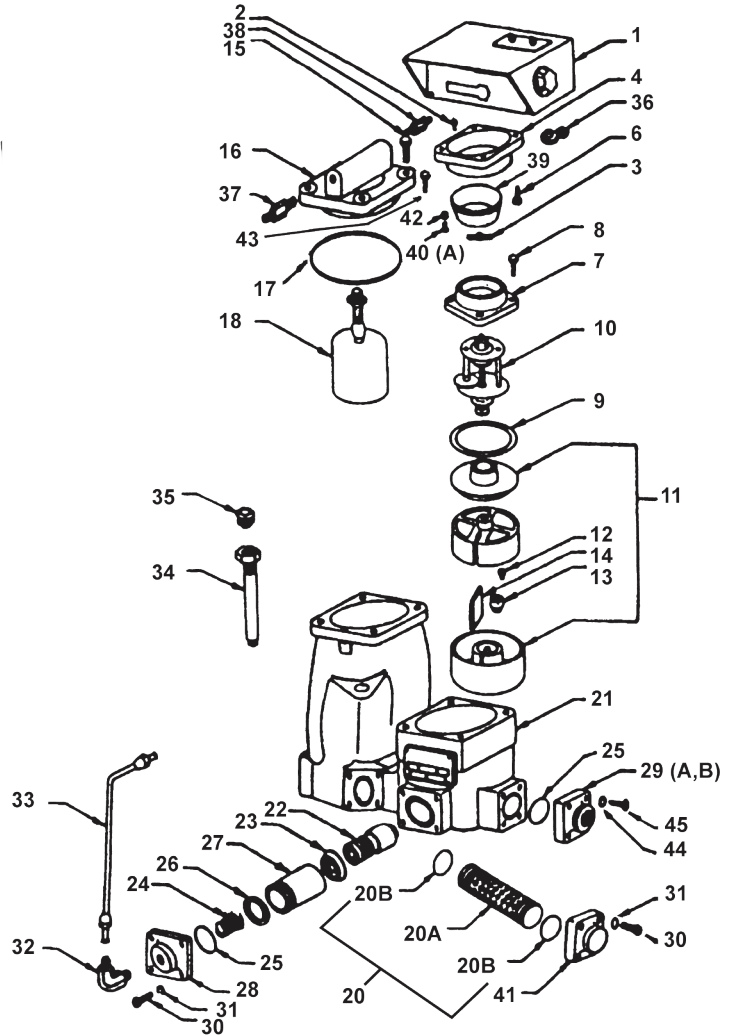


Parts List for Neptune 1" LPG



1" Type 4D-MD with 600 Series Register

Index	Description	Part No.
1	Register Complete, 600 Series, Gallons W/ATC	100498-018
	Register Complete, 600 Series, Gallons Non/ATC	100498-016
	Register Complete, 600 Series Liters W/ATC	100498-015
	Register Complete, 600 Series Liters Non/ATC	100498-019
2	Screw, 10-32 x 3/8 fil hd	733-001
3	Star Conn W/set screw	82976-001
4	Adapter, 600 Series Register	100729-001
6	Bolt, 1/4-28 x 1/2 hex hd	
	drilled	100062-023
	undrilled	100061-023
7	Main Case Cover Assembly	400024-701
8	Cap Screw, 7/16-14 x 1-3/16	
	drilled	40237-005
	undrilled	40237-004
9	Gasket, Main Case	4861-016
10	Gear Train Complete	
	116.87 reduction (600; 10 liter)	80905-013
	43.5 reduction (600; US gal) - Large Spindle	80905-017
11	Measuring Chamber Complete with Piston	101748-001
12	Pin, Seal	42792-000
13	Roller, Control	42086-000
14	Diaphragm	42791-000
15	Cap Screw, 3/8-016 x 1 hex hd	
	drilled	100071-025
	undrilled	100071-024
16	Cover, Vapor Release (See Note 1)	400021-701
17	Gasket, O-Ring	100139-012
18	Vapor Release Float Assembly (See Note 1)	87188-001
20	Strainer Kit, 88mm	101752-701
20A	Strainer, 14 x 88 mesh	101738-001
20B	"O" Ring, 1/8 x 1" Buna	100139-041
21	Main Case Assembly	400027-701
	Pin, Measuring Chamber Locating	100370-022
--	Kit, Valve	100028-001
22	Piston, Differential Valve	601342-001
22B	O-Ring (Not Shown, See Note 3)	100139-044
23	U Cup, Valve	100025-009
24	Spring	100024-001
25	O-Ring, Cover	100139-007
26	O-Ring, Sleeve Sealing	100139-006
27	Sleeve, Valve	100027-003
28	Cover, Differential Valve	400020-702
29A	Flange, Inlet or Outlet, 3/4" NPT	600057-000
28B	Flange, Inlet or Outlet, 1" NPT	600057-001
30	Screw, 5/16 18 x 7/8 hex hd steel	
	drilled	8325-046
	undrilled	8325-044
31	Lockwasher, 5/16	41482-000
--	Tubing Kit, Vapor Release	100017-011
32	Elbow, Male 14-90°	
	(Flared tube fitting)	87195-001
33	Tube assy, Vapor Release	87196-001
34	Thermometer Well	1001906
35	Cover, Thermometer Well	600443-001
36	Change Gears (give dia. and number of teeth)	(See Note 2)
37	Connector, Male 1/4 (flared tube fitting)	100135-002
38	Connector, Male 3/8 Flared	84826-000
39	Register CUP	138-031
40	Screw, 1/4-20 Hex Head	100059-024
40A	Screw, 1/4-20 with Seal Hole	100060-090
41	Strainer Cover Assy	400025-701
42	Sleeve, Screw	100737-001
43	Screw, 10-32 x 3/8 fil hd.	733-001
44	Lockwasher, 5/16 Hi Collar	41482-000
45	Screw 5/16 - 18 x 1 Hex. Soc. Head	8325-044



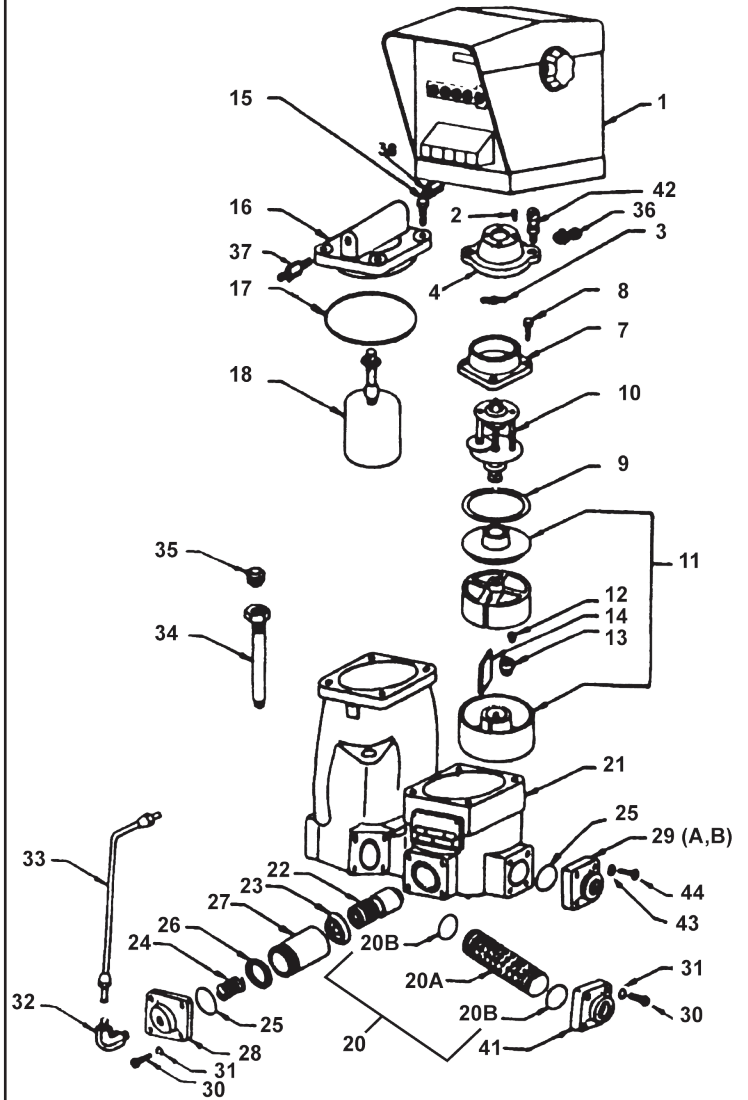
Note 1: Index numbers 16 & 18 can be purchased as one item under cover assembly part number 400026-701.

Note 2: See Form TSG-310

Note 3: Item number 22B goes in new O-Ring groove in part number 601342-001 in meters shipped after March 2013.

1" Type 4D-MD with 800 Series Register

Index	Description	Part No.
1	Register Complete, 800 Series, Gallons W/Printer	880030-000
	Register Complete, 800 Series Liters W/Printer	880130-158
2	Screw, 10-32 x 3/8 fil hd	733-001
3	Sar Conn W/set screw	82976-001
4	Adapter, 800 Series Register	101779-001
7	Main Case Cover Assembly	400024-701
8	Cap Scrw, 7/16-14 x 1-3/16	
	drilled	40237-005
	undrilled	40237-004
9	Gasket, Main Case	4861-016
10	Gear Train Complete	
	116.87 reduction (600; 10 liter)	80905-013
	43.5 reduction (600; US gal) - Large Spindle	80905-017
11	Measuring Chamber Complete with Piston	101748-001
12	Pin, Seal	42792-000
13	Roller, Control	42086-000
14	Diaphragm	42791-000
15	Cap Screw, 7/16-14 x 1 hex hd	
	drilled	100071-025
	undrilled	100071-024
16	Cover, Vapor Release (See Note 1)	400021-701
17	Gasket, O-Ring	100139-012
18	Vapor Release Float Assembly (See Note 1)	87188-001
20	Strainer Kit, 88mm	101752-701
20A	Strainer, 14 x 88 mesh	101738-001
20B	"O" Ring, 1/8 x 1" Buna	100139-041
21	Main Case Assembly	400027-701
	Pin, Measuring Chamber Locating	100370-022
22	Piston, Differential Valve	601342-001
22B	O-Ring (Not Shown, See Note 3)	100139-044
23	U Cup, Valve	100025-009
24	Spring	100024-001
25	O-Ring, Cover	100139-007
26	O-Ring, Sleeve Sealing	100139-006
27	Sleeve, Valve	100027-003
28	Cover, Differential Valve	400020-702
29A	Flange, Inlet or Outlet, 3/4" NPT	600057-000
29B	Flange, Inlet or Outlet, 1" NPT	600057-001
30	Screw, 5/16-18 x 7/8 hex hd steel	
	drilled	8325-046
	undrilled	8325-044
31	Lockwasher, 5/16	41482-000
	Tubing Kit, Vapor Release	100017-011
32	Elbow, Male 1/4-90°	
	(Flared tube fitting)	87195-001
33	Tube Assy, Vapor Release	87196-001
34	Thermometer Well	1001906
35	Cover, Thermometer Well	83732-000
36	Change Gears (give dia. and number of teeth)	(See Note 2)
37	Connector, Male 1/4 (flared tube fitting)	100135-002
38	Connector, Male 3/8 Flared	84826-000
41	Strainer Cover Assy	400025-701
42	Register, Stud	84435-000
43	Lockwasher, 5/16 Hi Collar	41482-000
44	Screw 5/16 - 18 x 1 Hex. Soc. Head	8325-044



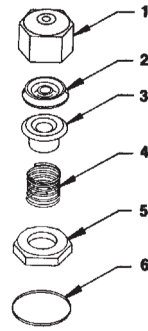
Note 1: Index numbers 16 & 18 can be purchased as one item under cover assembly part number 400026-701.

Note 2: See Form TSG-310.

Note 3: Item number 22B goes in new O-Ring groove in part number 601342-001 in meters shipped after March 2013.

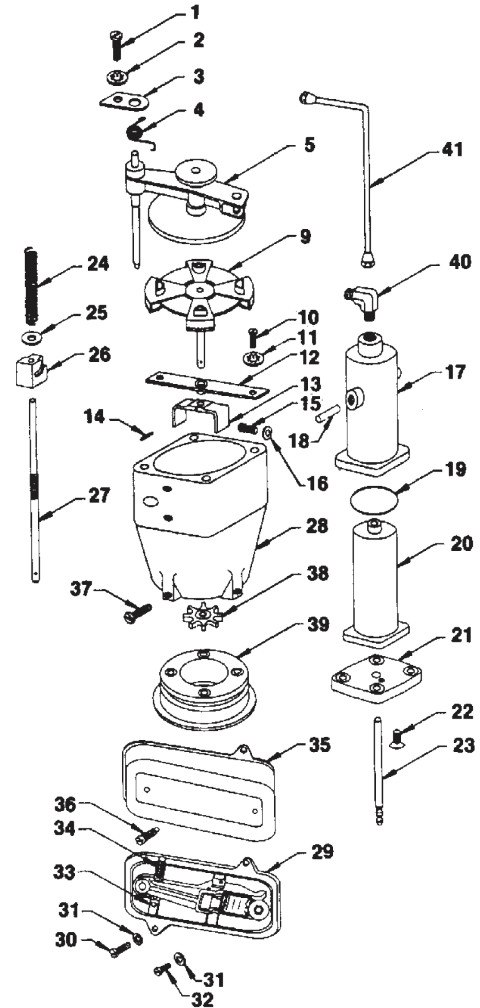
Stuffing Box - 100 and 600 Series

Index	Description	Part No.
1	Stuffing Box Nut with Bushing	83536-000
2	Seal, U-Cup Shaft	100025-002
3	Expander, Seal	83539-000
4	Spring, Stuffing Box	83540-000
5	Nut, Clamp	34-000
6	Gasket, O-Ring, Gear Train	100138-003



ATC

Index	Description	Part No.
1	Screw, 8-32 x 3/8 LG BD-HD	8383-003
2	Washer, Internal Tooth Lock-No. 10	100122-007
3	Plate, Offset Arm Support	101060-001
4	Spring, Offset Spider Arm	8355-506
5	Arm Complete, Offset Spider	84910-002
9	Ratchet & Arm Assembly	101053-001
10	Screw, 10-32 x 3/16 fil hd	88524-001
11	Washer, Internal Tooth Lock, No 10	100122-007
12	Plate Assembly, Drive	101055-001
13	Driving Fork	84192-006
14	Rollpin, 1/16 Dia. x 3/8 Steel	100370-003
15	Screw, 1/4-20 x 1/2 Socket hd	8325-033
16	Washer, 1/4 Lock	41117-000
17	Housing, Thermostat	101048-001
18	Pin, Dowel, 3/16 Dia. x 1/2 Lg.	8349-015
19	Gasket O-Ring	100139-005
20	Thermostat (Bellows)	86646-000
21	Cover, Thermostat	400020-003
22	Screw, 1/4-20 x 5/8 Lg. Socket Flat hd	8325-401
23	Pin, Thermostat	86648-006
24	Spring, Pushrod	8488-001
25	Washer, Spring Retaining	88286-003
26	Swivel Block Assembly	86612-000
27	Push Rod	101059-001
28	Housing Assembly, ATC	101047-001
29	Mounting sPlate and Lever Arm Assembly	86649-002
30	Screw, 10-32 x 5/8 fil hd	41221-002
31	Lockwasher, No. 10 Steel	41211-000
32	Screw, 10-32 x 5/16 Lg. fil hd	000733-001
33	Cotter Pin, 1/16 Dia. x 3/8 Lg. Brass	86973-000
34	Pin, Lever Arm Lock	86661-001
35	Cover, Lever Arm Mounting Plate	86665-000
36	Screw, Cover (10-32 Special)	9287-003
37	Screw, 10-32 x 3/4 Lg. fil hd	41750-000
38	Star Wheel	82976-001
39	Adapter Mounting Ring	101052-001
40	Elbow	8323-001
41	Connector Tube Assembly	101065-002
42	Screw, 10-32 x 3/4 Lg. fil hd, drilled	41750-002



1310 Emerald Road
Greenwood, SC 29646
USA
Phone: 1.800.833.3357
Fax: 1.864.223.0341

