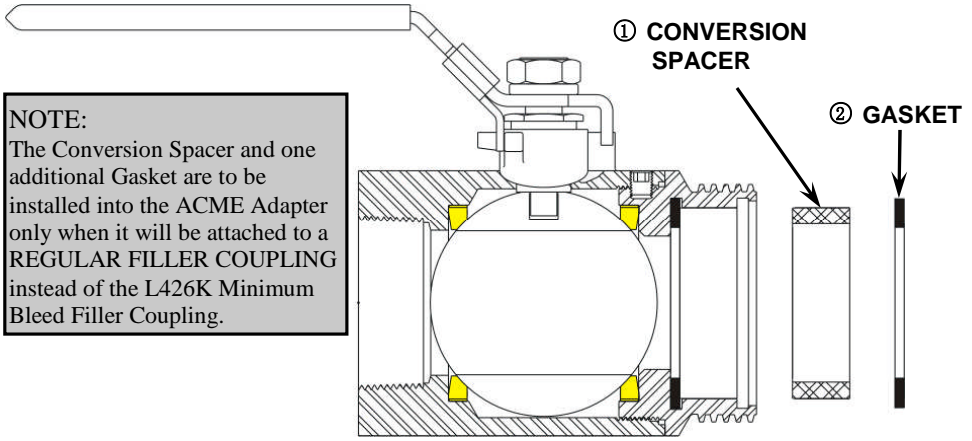


KEEP THIS DOCUMENT WITH THE PRODUCT UNTIL IT REACHES THE END USER.

ITEM	QTY.	PART NO.	DESCRIPTION
1	1	426-5005	CONVERSION SPACER
2	1	1176-2004	CONVERSION GASKET



Installation Instructions

- 1) Place the Conversion Spacer ① into the Ball Valve, all the way against the existing Gasket.
- 2) Place the Conversion Gasket into the groove in the Valve Body. Make sure the Conversion Gasket is smooth and secure.

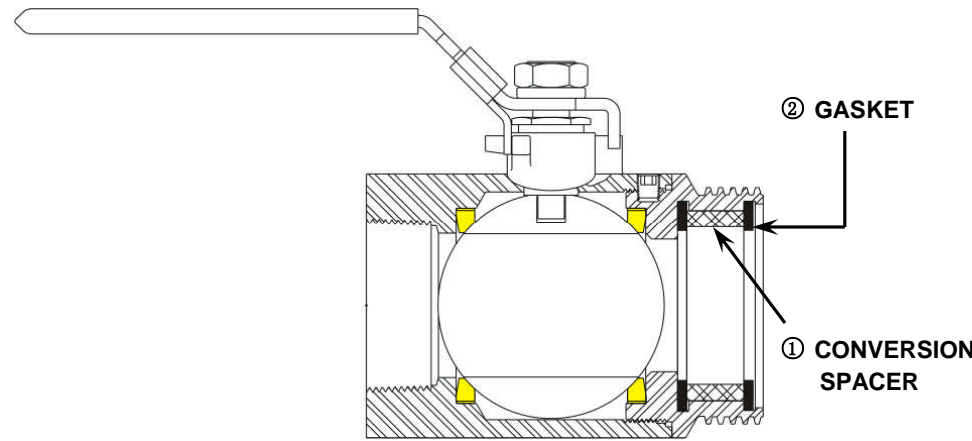
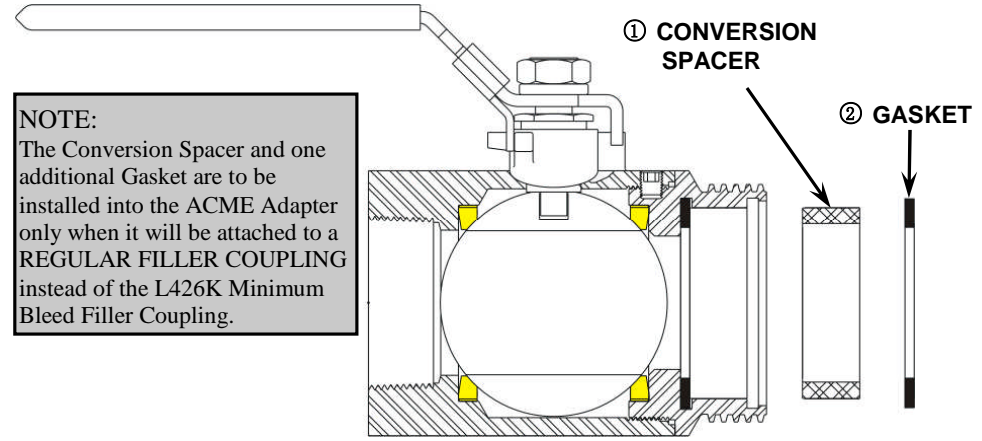


FIGURE 1

KEEP THIS DOCUMENT WITH THE PRODUCT UNTIL IT REACHES THE END USER.

ITEM	QTY.	PART NO.	DESCRIPTION
1	1	426-5005	CONVERSION SPACER
2	1	1176-2004	CONVERSION GASKET



Installation Instructions

- 1) Place the Conversion Spacer ① into the Ball Valve, all the way against the existing Gasket.
- 2) Place the Conversion Gasket into the groove in the Valve Body. Make sure the Conversion Gasket is smooth and secure.

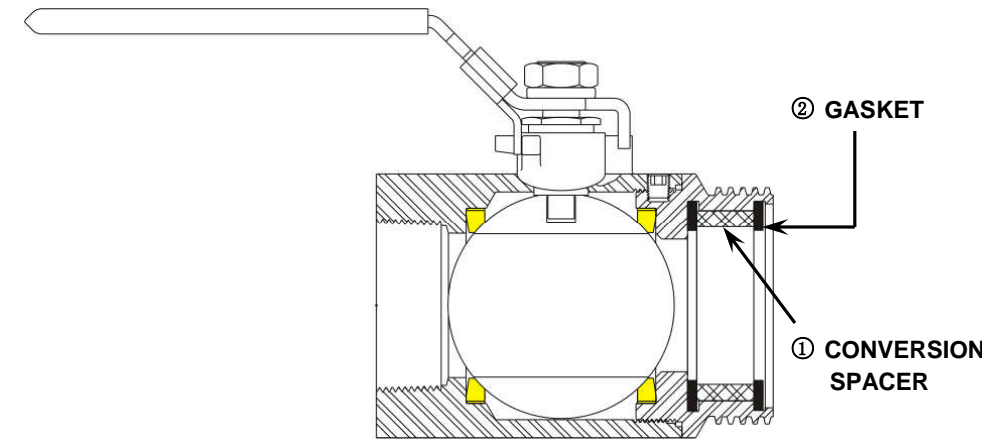


FIGURE 1

