

Discontinued Models
Parts availability may
be limited.

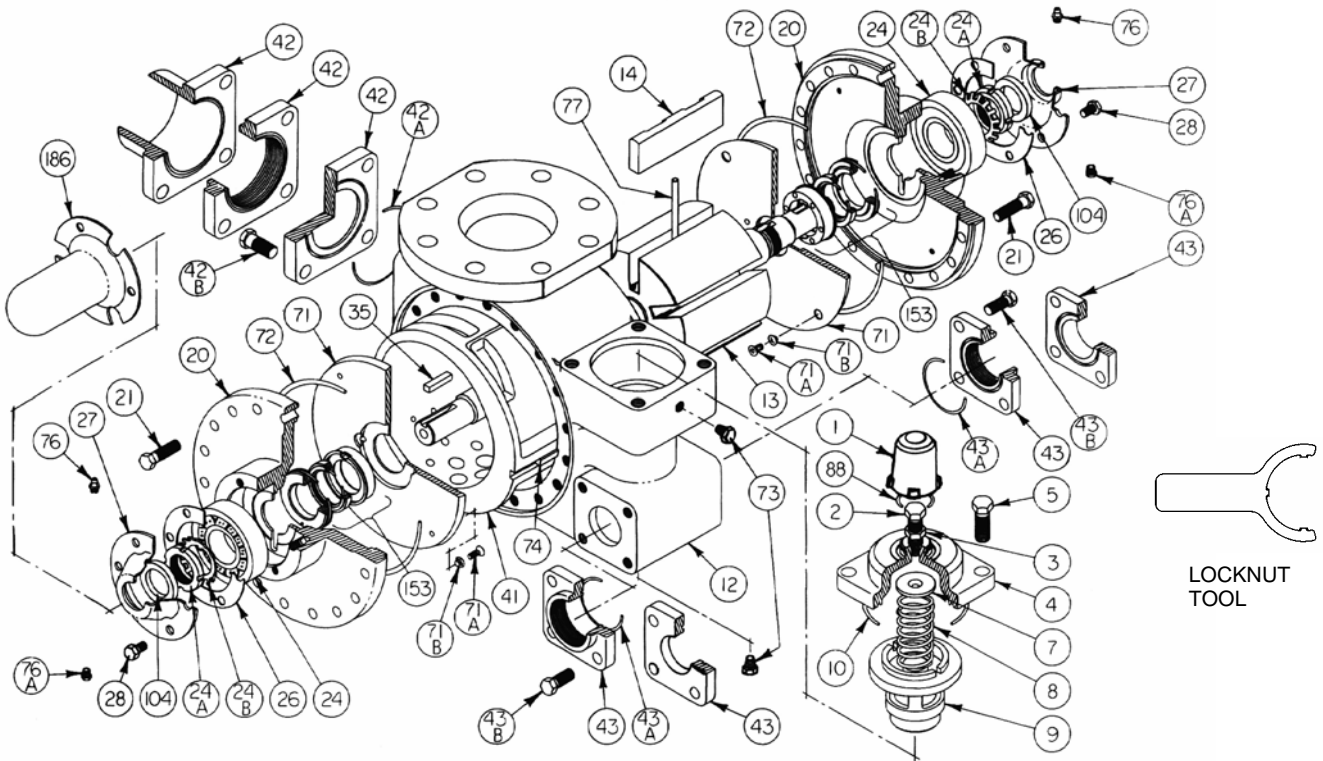
BLACKMER PARTS LIST

PUMP MODEL: TLGLF4A

DISCONTINUED MODEL: TLGLF4

(See Instructions 501-E00 for Installation, Operation and Maintenance)

Section 501
Effective May 2003
Replaces Oct 2002



Ref. No.	Description	Parts Per Pump	TLGLF4A Part No.	TLGLF4 Part No.	Ref. No.	Description	Parts Per Pump	TLGLF4A Part No.	TLGLF4 Part No.
1	Cap - Relief Valve (R/V)	1	413952	413952	42A	O-Ring - Flange	1	701937	701937
2	Adjusting Screw - R/V	1	436310	436307	42B	Capscrew - 3" NPT Flange	4	920663	920663
3	Locknut - Adjusting Screw	1	432039	436355		Capscrew - 3", 4" Weld Flange; Blank Flange		920640	920640
4	Cover - R/V	1	412001	412001	TWIN DISCHARGE PORT OPTIONS				
5	Capscrews - R/V Cover	4	920663	920663	43	Flange - 2" NPT	2	652010	652010
7	Spring Guide - R/V	1	426355	426355		Flange - 2" Weld		652024	652024
8	Spring - R/V	1	472039	472039	43A	O-Ring - 2" Flange 2 ¹ / ₂ " x 2 ³ / ₄ "	2	¹ 701919	701919
9	Valve - R/V	1	452001	452001		O-Ring - 2" Flange 2 ⁵ / ₈ " x 2 ⁷ / ₈ "	2	^{1,3} 702004	702004
10	O-Ring - R/V Cover	1	¹ 701946	701946	43B	Capscrew - Discharge Flange	8	920491	920491
12	Casing	1	012039	012039	71	Disc	2	¹ 062039	062039
13	Rotor & Shaft Asy. (includes Ref. No. 24A & 24B)	1	² 262024	262022	71A	Machine Screw - Disc	8	² 920015	920015
14	Vane - Duravane (Std.)	6	¹ 092019	092019	71B	Lockwasher - Machine Screw	8	² 909634	909634
20	Head	2	032039	032039	72	O-Ring - Head	2	¹ 702039	702039
21	Capscrews - Head	36	920532	920532	73	Gage Plug	2	908198	908198
24	Ball Bearing	2	¹ 903172	903172	74	Key - Liner	1	² 182040	182040
24A	Locknut - Bearing	2	² 903541	903523	76	Grease Fitting	2	317815	317815
24B	Lockwasher - Bearing	2	¹ 903542	903524	76A	Grease Relief Fitting	2	701992	701992
26	Gasket - Bearing Cover	2	¹ 385125	385125	77	Push Rod	3	¹ 122005	122001
27	Bearing Cover	2	041815	041815	88	O-Ring - R/V Cap	1	¹ 701926	701926
28	Capscrews - Bearing Cover	12	920286	920286	104	Grease Seal	2	¹ 331908	331908
35	Key - Shaft	1	¹ 909183	909183	186	Shaft, Protector	1	341801	341801
41	Liner	1	² 182000	182039		Tool - Locknut		903092	903091
AUXILIARY INTAKE OPTIONS						Kit - Maintenance		898922	N/A
42	Flange - 3" NPT	1	652012	652012		Kit - Rebuild		899022	N/A
	Flange - 4" Weld		652005	652005					
	Flange - 3" Weld		652007	652007					
	Flange - Blank		652000	652000					

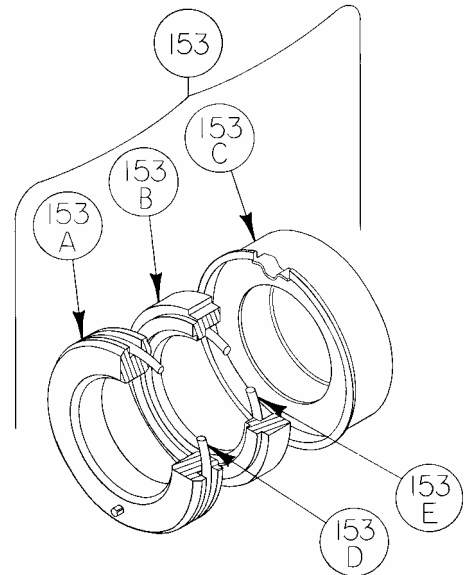
¹ Included in Maintenance Kit and Rebuild Kit
² Included in Rebuild Kit
³ Larger O-Ring introduced October 2002
 Keep this parts list with Installation, Operation and Maintenance Instructions

MECHANICAL SEAL

Ref. No.	Part Name	Parts Per Pump	Part No.
153	Mechanical Seal Assembly	2	¹ 332050
153A	Stationary Seat (Hardened Steel)	2	**
153B	Seal Face (Carbon)	2	**
153C	Jacket Assembly	2	**
153D	O-Ring - Stationary (Buna-N)	2	701934
153E	O-Ring - Rotating (Buna-N)	2	711912

¹ Included in Maintenance Kit and Rebuild Kit

** NOTE: Mechanical Seal Assy. (Ref. 153) is only sold as a complete assembly. Ref. Nos. 153A, 153B & 153C are not available as separate replacement parts.



Part Name	TLGLF4		TLGLF4A	
	Interchangeability status w/TLGLF4A		Interchangeability status w/TLGLF4	
	PART NO.	REF.	PART NO.	REF.
Push Rods	122001	c	¹ 122005	c
Liner	182039	c	² 182000	b
Rotor & Shaft	262022	c	² 262024	a
Bearing Locknut	903523	c	² 903541	c
Bearing Lockwasher	903524	c	¹ 903542	c

¹ Included in Maintenance Kit and Rebuild Kit

² Included in Rebuild Kit

Reference:

a = Interchangeable, but requires new Bearing Locknuts PN 903541 and Bearing Lockwasher PN 903542.

These are included when ordering Rotor & Shaft PN 262024.

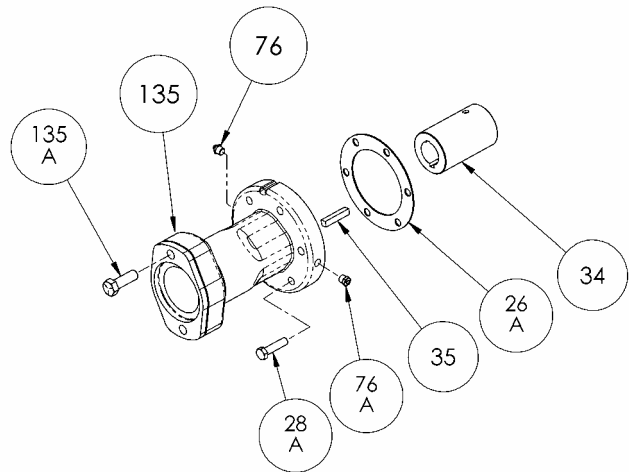
b = Interchangeable but requires new push rods PN 122005.

c = Not Interchangeable

OPTIONAL HYDRAULIC MOTOR ADAPTER PARTS

Ref. No.	Part Name	Parts Per Pump	Part No.
See Below	Hydraulic Motor Adapter Kit *	See Below	892037
26A	Gasket – Hydraulic Motor Adapter	1	381817
28A	Capscrew – Hydraulic Motor Adapter / Head	6	920369
34	Coupling w/ Setscrew – 1.25" straight key hyd. motor shaft	1	906970
35	Key – Coupling	1	909184
76	Grease Fitting	1	317815
76A	Grease Relief Fitting	1	701992
135	Hydraulic Motor Adapter – SAE A Flange	1	041829
135A	Capscrew – Adapter / Motor	2	920510

* Hydraulic Motor Adapter Kits shipped prior to Spring 2002 were of a two piece design – refer to page 206-C00.



1809 Century Avenue, Grand Rapids, Michigan 49503-1530, U.S.A.
 Telephone: (616) 241-1611 / Fax: (616) 241-3752
 E-Mail: blackmer@blackmer.com / Internet: www.blackmer.com