

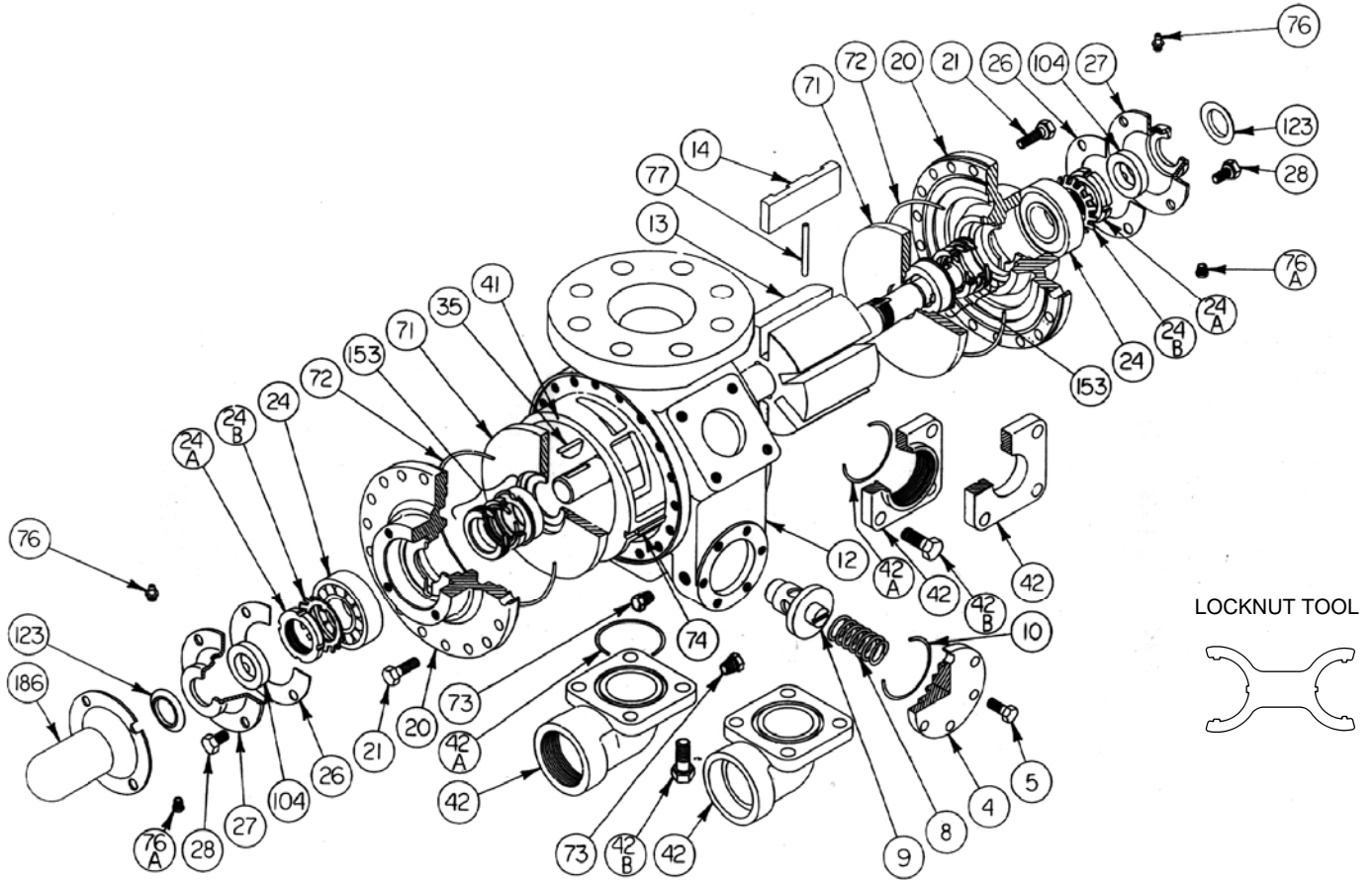
# BLACKMER PARTS LIST

## PUMP MODEL: TLGLF3C

960426 **PARTS LIST**  
Page 1 of 2 **501-D01**

Section 501  
Effective Mar 2014  
Replaces Jun 2011

Keep this parts list with Installation, Operation and Maintenance Instructions 501-D00



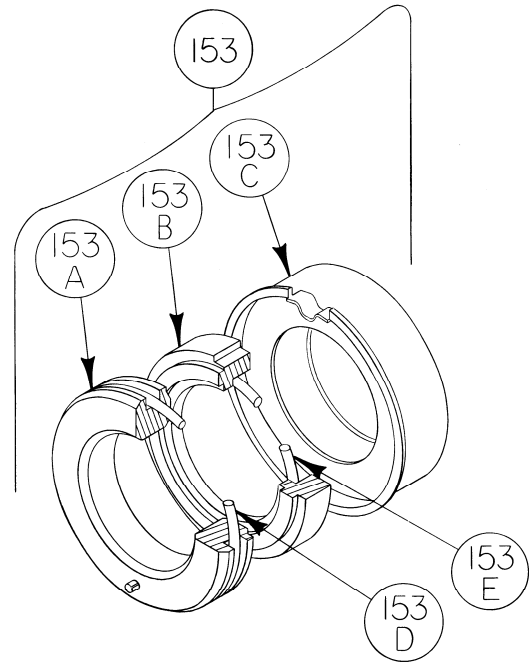
Ref. No.	Description	Parts Per Pump	Part No.	Ref. No.	Description	Parts Per Pump	Part No.
4	Cover - Relief Valve (R/V)	1	415108	42A	O-Ring - Flange 2 5/8" x 2 7/8" (current)	2	<sup>1,3</sup> 702004
5	Capscrew - R/V Cover	6	920331		O-Ring - Flange 2 1/2" x 2 3/4" (older pumps)	2	<sup>1</sup> 701919
8	Spring - R/V	1	<sup>1</sup> 471428	42B	Capscrew - Flanges	8	920491
9	Valve - R/V	1	<sup>4</sup> 451460	71	Disc	2	<sup>1</sup> 065121
10	O-Ring - R/V Cover	1	<sup>1</sup> 701919	72	O-Ring - Head	2	<sup>1</sup> 711923
12	Casing	1	015128	73	Gage Plug	2	908198
13	Rotor & Shaft Assembly <sup>5</sup>	1	<sup>2</sup> 265147	74	Key - Liner	1	<sup>2</sup> 185193
14	Vane - Duravane	6	<sup>1</sup> 095132	76	Grease Fitting	2	317815
20	Head	2	035132	76A	Grease Relief Fitting	2	701992
21	Capscrews - Head	36	920351	77	Push Rod	3	<sup>1</sup> 121607
24	Ball Bearing	2	<sup>1</sup> 903156	104	Grease Seal	2	<sup>1</sup> 331918
24A	Locknut - Bearing	2	<sup>2</sup> 903521	123	Dirt Shield	2	<sup>1</sup> 701480
24B	Lockwasher - Bearing	2	<sup>1</sup> 903522	186	Shaft Protector	1	341601
26	Gasket - Bearing Cover	2	<sup>1</sup> 383940	—	Tool - Locknut	—	903091
27	Bearing Cover	2	041431	—	Kit - Maintenance	—	898980
28	Capscrews - Bearing Cover	8	920285	—	Kit - Maintenance with R/V	—	899225
35	Key - Shaft	1	<sup>1</sup> 909130	—	Kit - Rebuild	—	899080
41	Liner	1	<sup>2</sup> 185101	—	Kit - Rebuild with R/V	—	899125
42	Flange - 2" NPT	1-2	652010	<sup>1</sup> Included in Maintenance Kit and Rebuild Kit			
	Flange - 2" Slip-on Weld		652024	<sup>2</sup> Included in Rebuild Kit			
	Flanged Elbow - 2" NPT		655100	<sup>3</sup> Larger O-Ring introduced October 2002			
	Flanged El - 2" Socket Weld		655109	<sup>4</sup> Additional parts Included in Kits with R/V			
	Blank Flange for Auxiliary Inlet		652036	<sup>5</sup> Includes Ref. No. 24A & 24B			

**MECHANICAL SEAL – NH<sub>3</sub> OR DUAL SERVICE – SNCN (ID Code = QA)**

Ref. No.	Part Name	Parts Per Pump	Part No.
153	Mechanical Seal Assembly	2	<sup>1</sup> 334439
153A	Stationary Seat (Steel)	2	**
153B	Seal Face (Carbon)	2	**
153C	Jacket Assembly	2	**
153D	O-Ring - Stationary (Buna-N)	2	711924
153E	O-Ring - Rotating (Buna-N)	2	711918

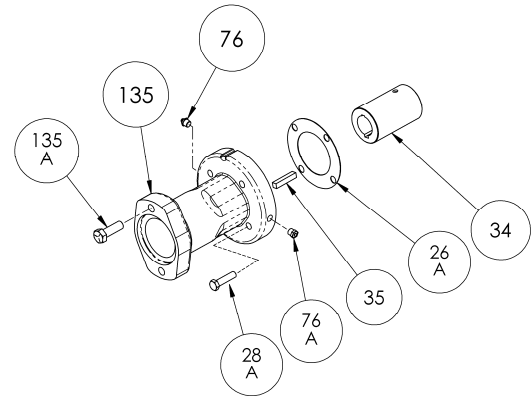
<sup>1</sup> Included in Maintenance Kit and Rebuild Kit

\*\* NOTE: Mechanical Seal Ref. No. 153 is only sold as a complete assembly. Ref. Nos. 153A, 153B & 153C are not available as separate replacement parts.



**OPTIONAL HYDRAULIC MOTOR ADAPTER PARTS**

REF. NO.	PART NAME	PARTS PER PUMP	PART NO. 1-1/4" Hyd Motor Shaft	PART NO. 1" Hyd Motor Shaft .
See Below	<b>Hydraulic Motor Adapter Kit *</b>	See Below	891458	891205
26A	Gasket – Hydraulic Motor Adapter	1	383940	383940
28A	Capscrew – Hydraulic Motor Adapter / Head	4	920369	920369
34	Coupling w/ Setscrew – straight key hyd. motor shaft	1	906967	906966
35	Key – Coupling	1	909184	N/A
76	Grease Fitting	1	317815	317815
76A	Grease Relief Fitting	1	701992	701992
135	Hydraulic Motor Adapter – SAE A Flange	1	041828	041827
135A	Capscrew – Adapter / Motor	2	920510	920510



\* Hydraulic Motor Adapter Kits shipped prior to Spring 2002 were a two two piece design – refer to page 206-C00.



1809 Century Avenue, Grand Rapids, Michigan 49503-1530, U.S.A.  
 Telephone: (616) 241-1611 / Fax: (616) 241-3752  
 E-Mail: blackmer@blackmer.com / Internet: www.blackmer.com