

OPERATING INSTRUCTIONS AND OWNER'S MANUAL**MR. HEATER**

READ INSTRUCTIONS CAREFULLY: Read and follow all instructions. Place instructions in a safe place for future reference. Do not allow anyone who has not read these instructions to assemble, light, adjust or operate the heater.

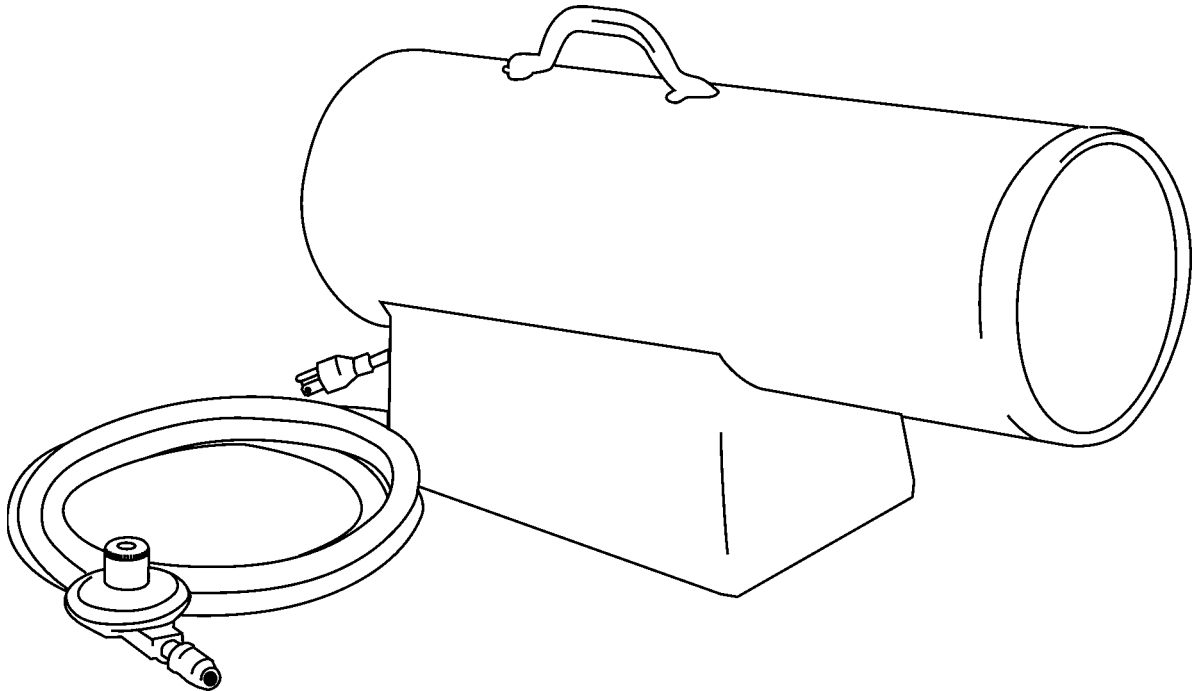
HEATSTAR

MODEL

MH400FAVT

MODEL

HS400FAVT

**Model # 400FAVT****FORCED-AIR PROPANE
CONSTRUCTION HEATER**

WARNING: If the information in this manual is not followed exactly, a fire or explosion may result causing property damage, personal injury or loss of life.

- Do not store or use gasoline or other flammable vapors and liquids in the vicinity of this or any other appliance.
- An LP cylinder not connected for use shall not be stored in the vicinity of this or any other appliance.
- WHAT TO DO IF YOU SMELL GAS
 - Do not try to light appliance.
 - Extinguish any open flame.
 - Shut off gas to appliance.
- Service must be performed by a qualified service agency.

This is an unvented gas-fired portable heater. It uses air (oxygen) from the area in which it is used. Adequate combustion and ventilation air must be provided. Refer to page 3.

WARNING:

⚠ YOUR SAFETY IS IMPORTANT TO YOU AND TO OTHERS, SO PLEASE READ THESE INSTRUCTIONS BEFORE YOU OPERATE THIS HEATER.

GENERAL HAZARD WARNING:

- ⚠ FAILURE TO COMPLY WITH THE PRECAUTIONS AND INSTRUCTIONS PROVIDED WITH THIS HEATER, CAN RESULT IN DEATH, SERIOUS BODILY INJURY AND PROPERTY LOSS OR DAMAGE FROM HAZARDS OF FIRE, EXPLOSION, BURN, ASPHYXIATION, CARBON MONOXIDE POISONING, AND/OR ELECTRICAL SHOCK.
- ⚠ ONLY PERSONS WHO CAN UNDERSTAND AND FOLLOW THE INSTRUCTIONS SHOULD USE OR SERVICE THIS HEATER.
- ⚠ IF YOU NEED ASSISTANCE OR HEATER INFORMATION SUCH AS AN INSTRUCTIONS MANUAL, LABELS, ETC. CONTACT THE MANUFACTURER.

WARNING:

⚠ NOT FOR HOME OR RECREATIONAL VEHICLE USE

WARNING:

⚠ FIRE, BURN, INHALATION, AND EXPLOSION HAZARD. KEEP SOLID COMBUSTIBLES, SUCH AS BUILDING MATERIALS, PAPER OR CARDBOARD, A SAFE DISTANCE AWAY FROM THE HEATER AS RECOMMENDED BY THE INSTRUCTIONS NEVER USE THE HEATER IN SPACES WHICH DO OR MAY CONTAIN VOLATILE OR AIRBORNE COMBUSTIBLES, OR PRODUCTS SUCH AS GASOLINE, SOLVENTS, PAINT THINNER, DUST PARTICLES OR UNKNOWN CHEMICALS.

WARNING:

⚠ **The State of California requires the following warning:**
COMBUSTION BY-PRODUCTS PRODUCED WHEN USING THIS PRODUCT CONTAIN CARBON MONOXIDE, A CHEMICAL KNOWN TO THE STATE OF CALIFORNIA TO CAUSE CANCER AND BIRTH DEFECTS (OR OTHER REPRODUCTIVE HARM).

CONTENTS

Specifications	2
Operating Precautions	3
Safety Precautions	3
Odor Fade Warning	4
Operating Instructions	5
Storage & Service	5
Wiring Diagram	6
Parts List	7
Exploded View Drawing	7

SPECIFICATIONS

MODEL NO.	400FAVT	
GAS TYPE	Propane	
BTU RATING	210,000-400,000 BTU/hr (61.5 – 117 kW)	
GAS SUPPLY PRESSURE TO REGULATOR		
Maximum: Bottle Pressure , Minimum: 20 psig (0.14 MPa)		
REGULATOR OUT	20 psig (0.14 MPa)	
ELECTRICAL INPUT	115V, 60 Hz, 1Ø, 5.5a	
IGNITION	Direct Spark, interrupted type	
PRIMARY FLAME CONTROL	SolidState, 10-15 sec. timing	
HIGH TEMPERATURE CONTROL		240°F (116°C)
Minimum Ambient Temp Rating:		0°F (-17.8°C)
FUEL CONSUMPTION	9.3- 18.5 lbs/hr (4.2 – 8.4 kg/hr)	
FUEL ORIFICE PORT NO.:	1	
FUEL ORIFICE PORT SIZE:	2.35 MM	
HEATED AIR OUTPUT:	1400 CFM (39.6 CU-M/M)	

OPERATING PRECAUTIONS

This is a propane, direct-fired, forced air heater. Its intended use is primarily temporary heating of buildings under construction, alteration or repair.

Propane is heavier than air. If propane leaks from a connection or fitting, it sinks to the floor, collecting there with the surrounding air & forming a potentially explosive mixture. Obviously, propane leaks should be avoided, so set up the propane supply with utmost care. Read enclosed Odor Fade and Propane Sheet for additional information about detecting propane leaks. Leak check new connections or reconnections with a soap and water solution and follow all connection instructions herein. Also, ask your propane dealer for advice on the propane application and supply installation and ask him to check it if there are any questions.

This heater was designed and certified for use as a construction heater in accordance with ANSI Standard Z83.7/CGA 2.14-2000. Check with your local fire safety authority if you have any questions about your applications. Other standards govern the use of fuel gases and heat producing products in specific applications. Your local authority can advise you about these.

Direct-Fired means that all of the combustion products enter the heated space. Even though this heater operates very close to 100 percent combustion efficiency, it still produces small amounts of carbon monoxide. Carbon monoxide (called CO) is toxic. We can tolerate small amounts but not a lot. CO can build up in a heated space and failure to provide adequate ventilation could result in death.

The symptoms of inadequate ventilation are:

- headache
- dizziness
- burning eyes and nose
- nausea
- dry mouth or sore throat

So, be sure to follow advice about ventilation in these operating instructions.

Forced Air means that a blower or fan pushes the air through the heater. Proper combustion depends upon this air flow; therefore, the heater must not be revised, modified or operated with parts removed or missing. Likewise, safety systems must not be circumvented or modified in order to operate the heater.

When the heater is to be operated in the presence of other people the user is responsible for properly acquainting those present with the safety precautions and instructions, and of the hazards involved.

Figure 1

VENTILATION: Minimum openings required

Heater	Opening near floor	Opening near ceiling
Forced air (400 FAVT)	3.5 ft ²	3.5 ft ²

SAFETY PRECAUTIONS

1. Check the heater thoroughly for damage. DO NOT operate a damaged heater.
2. DO NOT modify the heater or operate a heater which has been modified from its original condition.
3. Use only propane gas.
4. Use only VAPOR WITHDRAWAL propane supply. If there is any question about vapor withdrawal, ask your propane dealer.
5. Mount the propane cylinders vertically (shutoff valve up). Secure them from falling or being knocked over and protect them from damage.
6. Locate propane containers at least (USA) 7 ft. (2.13m), (Canada) 10 ft. (3m) from the heater and **do not** direct exhaust toward containers.
7. **IMPORTANT** Use only the hose and regulator assembly provided with the heater. Match the color stripe on the hangtag attached to the hose assembly with the color on the label located near the propane inlet fitting on the heater. Inspect hose assembly before each use of the heater. If there is excessive abrasion or wear, or hose is cut, replace with hose assembly listed on parts list before using heater.
8. For indoor use only. Area must be well ventilated. **Figure 1** (also see "Operating Precautions").
9. If at any time gas odor is detected, IMMEDIATELY DISCONTINUE operation until the source of gas has been located and corrected. Read enclosed Odor fade and Propane Sheet for additional information about detecting propane leaks.
10. Install the heater such that it is not directly exposed to water spray, rain and/or dripping water.
11. Maintain minimum clearance from normal combustible material (like paper). **Figure 2**
12. Due to the high surface and exhaust temperatures, adults and children must observe clearances to avoid burns or clothing ignition.
13. Operate only on a stable, level surface.
14. Do not use with ductwork. Do not restrict inlet or exit.
15. Use only the electrical power specified. The electrical connection and grounding must comply with National Electrical Code - ANSI/NFPA 70 (USA) and CSA C22.1 Canadian Electrical Code, Part 1 (Canada).
16. Use only a properly grounded 3-prong receptacle or extension cord.
17. Do not move, handle or service while hot or burning.
18. Use only in accordance with local codes or, in the absence of local codes, with the Standard for the Storage and Handling of Liquefied Petroleum Gases ANSI/NFPA 58 and CSA B149.1, Natural Gas and Propane Installation Code.

Figure 2

MINIMUM CLEARANCE: From normal combustible material

Clearance	Forced Air 400FAVT
From floor	0 ft
From outlet	8 ft
From sides	2 ft
From top	3 ft
Locate 10 ft. from canvas or plastic tarpaulins or similar coverings and secure them to prevent flapping or movement due to wind action.	

ODOR FADE WARNING

WARNING

Asphyxiation Hazard

- Do not use this heater for heating human living quarters.
- Do not use in unventilated areas.
- The flow of combustion and ventilation air must not be obstructed.
- Proper ventilation air must be provided to support the combustion air requirements of the heater being used.
- Refer to the specification section of the heater's manual, heater dataplate, or contact the Factory to determine combustion air ventilation requirements of the heater.
- Lack of proper ventilation air will lead to improper combustion.
- Improper combustion can lead to carbon monoxide poisoning leading to serious injury or death. Symptom of carbon monoxide poisoning can include headaches dizziness and difficulty in breathing.

FUEL GAS ODOR

LP gas and natural gas have man-made odorants added specifically for detection of fuel gas leaks.

If a gas leak occurs you should be able to smell the fuel gas. Since Propane (LP) is heavier than air you should smell for the gas odor low to the floor. ANY GAS ODOR IS YOUR SIGNAL TO GO INTO IMMEDIATE ACTION!

- Do not take any action that could ignite the fuel gas. Do not operate any electrical switches. Do not pull any power supply or extension cords. Do not light matches or any other source of flame. Do not use your telephone.
- Get everyone out of the building and away from the area immediately.
- Close all propane (LP) gas tank or cylinder fuel supply valves, or the main fuel supply valve located at the meter if you use natural gas.
- Propane (LP) gas is heavier than air and may settle in low areas. When you have reason to suspect a propane leak, keep out of all low areas.
- Use your neighbor's phone and call your fuel gas supplier and your fire department. Do not re-enter the building or area.
- Stay out of the building and away from the area until declared safe by the firefighters and your fuel gas supplier.
- FINALLY, let the fuel gas service person and the firefighters check for escaped gas. Have them air out the building and area before you return. Properly trained service people must repair any leaks, check for further leakages, and then relight the appliance for you.

ODOR FADING - NO ODOR DETECTED

- Some people cannot smell well. Some people cannot smell the odor of the man-made chemical added to propane (LP) or natural gas. You must determine if you can smell the odorant in these fuel gases.
- Learn to recognize the odor of propane (LP) gas and natural gas. Local propane (LP) gas dealers will be more than happy to give you a scratch and sniff pamphlet. Use it to become familiar with the fuel gas odor.

- Smoking can decrease your ability to smell. Being around an odor for a period of time can affect your sensitivity to that particular odor. Odors present in animal confinement buildings can mask fuel gas odor.
- The odorant in propane (LP) gas and natural gas is colorless and the intensity of its odor can fade under some circumstances.
- If there is an underground leak, the movement of gas through the soil can filter the odorant.
- Propane (LP) gas odor may differ in intensity at different levels. Since Propane (LP) gas is heavier than air, there may be more odor at lower levels.
- Always be sensitive to the slightest gas odor. **If you continue to detect any gas odor, no matter how small, treat it as a serious leak. Immediately go into action as discussed previously.**

ATTENTION - CRITICAL POINTS TO REMEMBER!

- Propane (LP) gas has a distinctive odor. Learn to recognize these odors. (Reference Fuel Gas Odor and Odor Fading sections above)
- Even If you are not properly trained in the service and repair of the heater, ALWAYS be consciously aware of the odors of propane (LP) gas and natural gas.
- If you have not been properly trained in repair and service of propane (LP) gas then do not attempt to light heater, perform service or repairs, or make any adjustments to the heater or the propane (LP) gas fuel system.
- A periodic sniff test around the heater or at the heater's joints; i.e. hose, connections, etc., is a good safety practice under any conditions. If you smell even a small amount of gas, CONTACT YOUR FUEL GAS SUPPLIER IMMEDIATELY. DO NOT WAIT!

OPERATING INSTRUCTIONS

PREPARING FOR OPERATION

1. Check the heater for possible shipping damage. If any is found, *immediately* notify the factory.
2. Follow all of the "Precautions".
3. Connect the POL fitting of hose and regulator assembly to the propane cylinder by rotating the POL nut counterclockwise into the propane cylinder's valve outlet and securely tighten with a wrench.
4. Connect the hose to the heater by rotating the hose fitting clockwise.
5. Securely tighten all gas connections.
6. Open the cylinder's gas valve and check all gas connections with a soap and water solution. **DO NOT USE A FLAME.**
7. Connect power cord to well-grounded 115V, 60 Hz, 1Ø source of power.
8. When using an extension cord, make certain that it is a 3-wire (grounded) cord of proper wire size.

START

1. Slowly open the main valve at propane cylinder to prevent excess flow check valve from closing.
2. Set thermostat to full on. Heater will ignite automatically.
3. Adjust ball valve on control panel to desired burn rate.
4. Set thermostat to desired temperature. Heater will turn off and on automatically as the temperature varies in the heater area.

STOP

1. Securely close valve on the propane cylinder.
2. Continue to operate heater until all fuel in the hose has burned.
3. Turn the heater thermostat to "off". For extended shut down or in areas where the temperature is below 0°F, unplug the heater.

RESTART AFTER SAFETY SHUTDOWN

1. Securely close valve at propane cylinder. Unplug heater.
2. Wait 5 minutes.
3. Restart following "Start" procedure.

MAINTENANCE AND STORAGE

1. The heater should be inspected before each use, and at least annually by a qualified person.
2. Before each use, check the soft "O" ring seat at the bullnose of the POL fitting. If the "O" ring is cut, scuffed, or otherwise damaged, replace it with part number 73786.
3. Turn off the gas at the LP-gas supply cylinder(s) when the heater is not in use.
4. When the heater is to be stored indoors, the connection between the LP-gas supply cylinder(s) and the heater must be disconnected and the cylinder(s) removed from the heater and stored out of doors and in accordance with Chapter 5 of the standard for *Storage and Handling of Liquefied Petroleum Gases* ANSI/NFPA 58 and CSA B149.1, *Natural Gas and Propane Installation Code*.

SERVICING

A hazardous condition may result if a heater is used that has been modified or is not functioning properly.

When the heater is working properly:

- The flame is contained within the heater.
- The flame is essentially blue with perhaps some yellow tipping.
- There is no strong disagreeable odor, eye burning or other physical discomfort.
- There is no smoke or soot internal or external to the heater.
- There are no unplanned or unexplained shut downs of the heater.

The parts lists and wiring diagram show the heater as it was constructed. Do not use a heater which is different from that shown. In this regard, use only the hose, regulator and cylinder connection fitting (called a POL fitting) supplied with the heater. **IMPORTANT** Match the color stripe on the hangtag attached to the hose assembly with the color on the label located near the propane inlet fitting on the heater. Do not use alternates. For this heater, the regulator must be set as shown in "specifications". If there is any uncertainty about the regulator setting, have it checked.

A heater which is *not* working right must be repaired, but *only* by a trained, experienced service person.

In-warranty products will be repaired with no charge for either parts or labor. Please include a brief statement indicating date, place of purchase, the nature of the problem and proof of purchase.

Out-of-warranty products will be repaired with a charge for parts and labor.

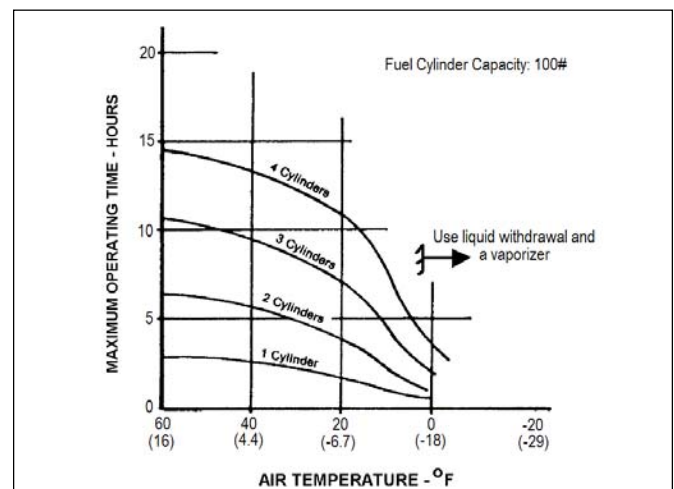
SIZE AND CAPACITY OF PROPANE CYLINDERS

The charts below show the approximate size of the cylinder required for these heaters. To use the chart:

1. Select the lowest air temperature expected (at the bottom of the chart).
2. Move straight up to time of operation desired (left side of the chart).
3. Read the cylinder size required.

All heaters should have:

Full cylinders with good air circulation and no frost on cylinders



HOW MUCH HEAT DO I REQUIRE?

For economy, it is important to match input heat to that required. But heat requirements often vary. For example, it usually takes a lot more heat to get things warm than it does to keep them that way. Likewise, outside air temperature usually changes during the day so you may need more heat at night than you do in the daytime. An approximation of the heat required can be found by using the chart below.

BTU'S PER HOUR REQUIRED				
Cubic feet of space to be heated	Temperature Rise Required (°F)*			
	20°	30°	40°	50°
5,000	14,000	20,000	27,999	34,000
7,000	19,000	28,000	38,000	47,000
10,000	27,000	40,000	54,000	67,000
15,000	40,000	60,000	80,000	100,000
20,000	54,000	80,000	107,000	133,000
30,000	80,000	120,000	160,000	200,000
50,000	133,000	200,000	266,000	333,000

WARNING: When using a thermostat controlled heater, its exit area should be protected from personnel and warnings posted of sudden startup.

Recommended Minimum Gauge for Cord Extensions

Wire Gauge Chart A.W.G.				
Name Plate 120V Amps.	Cord Length in Feet			
	25	50	100	150
5-6	18	16	14	12
6-8	18	16	12	10
8-12	18	14	12	10
10-12	16	14	10	8
12-14	16	12	10	8

400FAVT - WIRING CHART

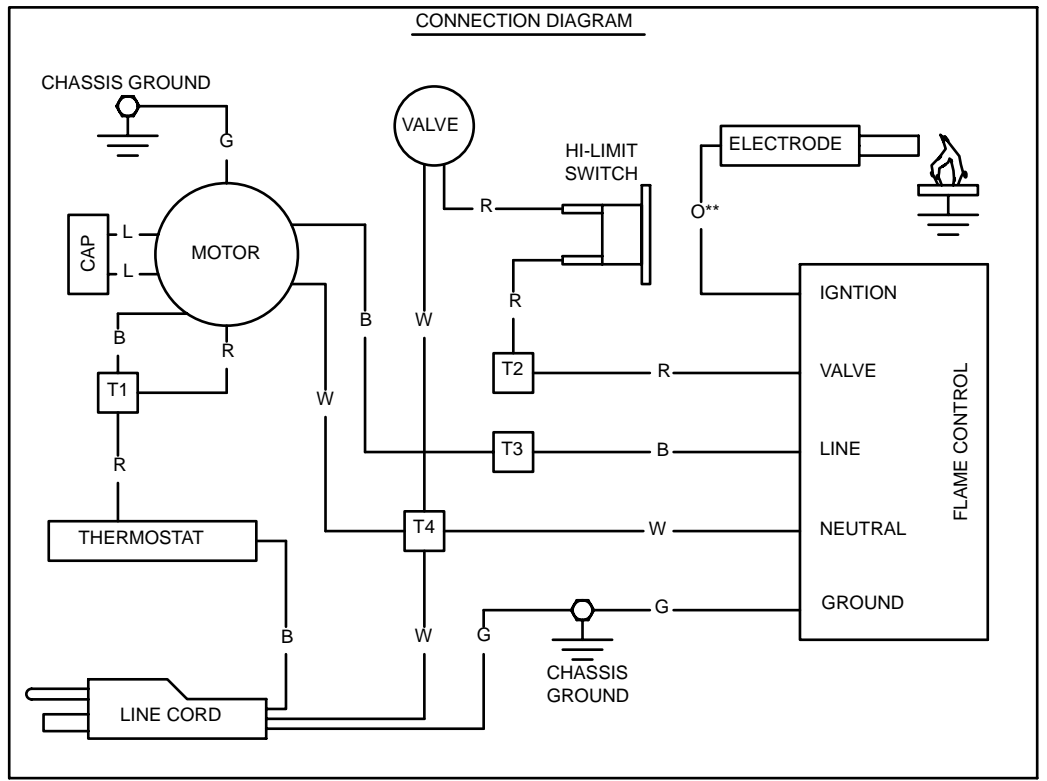
PART NO.	COLOR	LENGTH	FROM	TO
1100	White	7"	Valve	Terminal connection
1040	Black	6"	On/Off Switch	Terminal connection
1226	Red-(Hi-Temp)	16 1/2"	High Limit Switch	Valve
1226	Red-(Hi-Temp)	16 1/2"	High Limit Switch	Terminal connection
1070	Orange	11"	Flame Control (Ignition)	Spark Plug
1959	Green	7"	Flame Control (Harness)	Ground
1959	Red	7"	Flame Control (Harness)	Terminal connection
1959	White	6"	Flame Control (Harness)	Terminal connection
1959	Black	6"	Flame Control (Harness)	Terminal connection

Model #400FAVT WIRING DIAGRAM

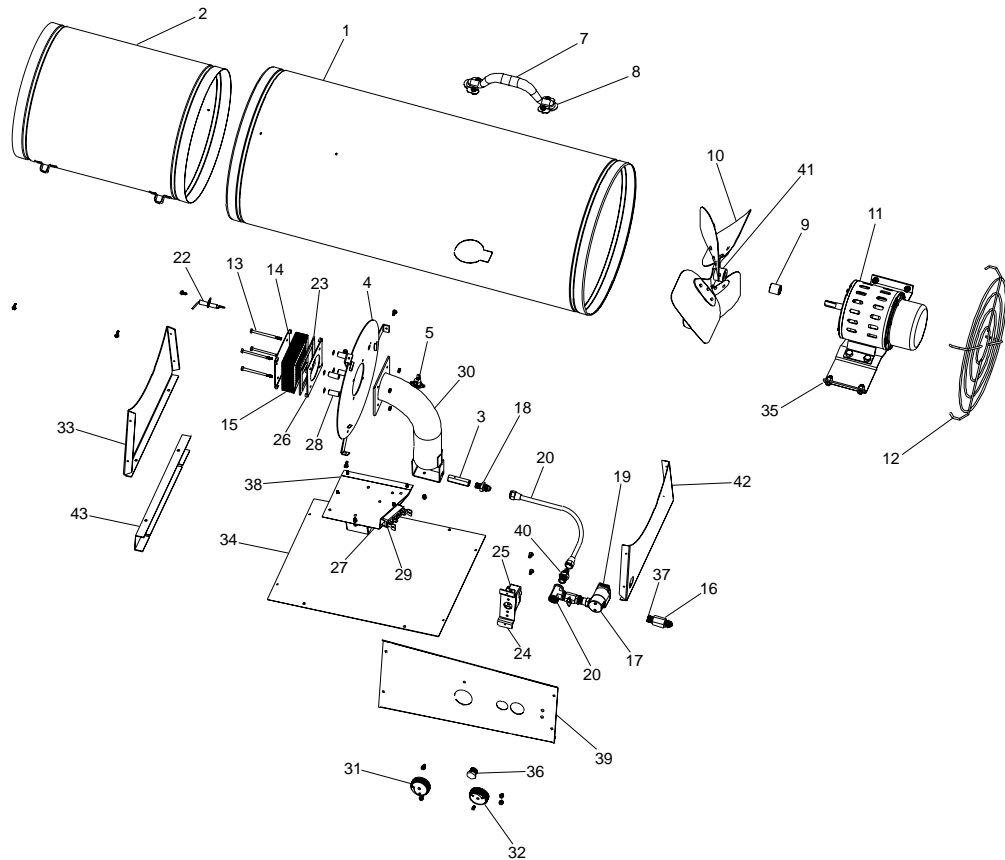
COLOR CODE / LEGEND

B BLACK
L BLUE
G GREEN
O ORANGE
R RED
W WHITE
T_ TERMINAL CONNECTION

If any original wiring as supplied by the heater must be replaced, it must be replaced with type AWG 105° C wire or its equivalent except as indicated (*type SF2-200, **SGI 250° C).



Model #400FAVT PARTS LIST



Item	Part No.	Description	Qty.	Item	Part No.	Description	Qty.
1	20100	Outer Shell	1	33	20158	Control Box, Exit Panel	1
2	20102	Middle Cylinder	1	34	20160	Control Box, Base Panel	1
3	20104	Orifice (2.35 mm port)	1	35	20162	Motor Mounting	1
4	20106	Flame Holder Assembly	1	36	20164	Fitting, Plug 1/4 MPT	1
5	26168	High Limit Switch	1	37	20166	Inlet Filter Screen	1
6	20108	Orifice Screw, Type F	1	38	20168	Control Mounting Bracket	1
7	27095	Handle	1	39	20170	Control Box, CTRL Panel	
8	27094	Handle Mounting Clips	2	40	20172	Male Fitting Conn. 1/4 MPT x 1/4 SAE FLR	1
9	20110	Fan Spacer, Nylon	2	41	20174	Set Screw, Nyloc	2
10	20112	Fan	1	42	20176	Control Box, Inlet Panel	1
11	20114	Motor Assembly	1	*	26225	Snap Bushing, 5/8	1
12	20116	Grille, Inlet	1	*	20178	Control Box, Right Panel	1
13	20118	Machine Screw, Burner SS	4	*	26223	Bushing Strain Relief	1
14	20120	Burner, Outer Plate	1	*	21036	Power Cord Assembly	1
15	20122	Burner, Ceramic Grids	4	*	26070	Loop Clamp, 5/16	1
16	20124	Male Fitting Conn. 1/4 MPT x 1/4 SAE FLR	1	*	21008	Hose Assembly	1
17	20126	Solenoid Valve, Goyen	1	*	20180	Regulator, 20 psig	1
18	20128	Male Fitting Conn. 1/8 MPT x 1/4 SAE FLR, LG.	1	43	20184	Bracket, lift	1
19	20130	Burn Rate Adjustment Valve	1	*	26433	POL Excess Flow Valve	1
20	20132	Fitting, TEE 1/4 NPT, Female	1	*	72427	Label, Safety Precautions	1
21	20134	Fuel Tube Assembly	1	*	28755	Label, General Hazard Warning	1
22	20136	Electrode, Flame Sensor	1	*	72429	Label, Model	1
23	20138	Burner, Fiber-Frax Gasket	1	*	28731	Label, Operating Instructions	1
24	20140	Thermostat Mounting Bracket	1	*	26410	Label, Thermostat Warning	1
25	20142	Thermostat Assembly	1	*	72432	Label, Warning Massachusetts	1
26	20144	Burner, Inner Plate	1	*	26374	Label, Warning Electrical	1
27	20146	Flame Control, Potted	1	*	72434	Label, Wiring Schematic	1
28	20148	Burner, SS Spacer	4	*	72435	Label, Hang Tag	1
29	20150	Terminal Board	1	*	72436	Label, BTU 400,000	1
30	20152	Burner, Mixing Tube	1	*	72426	Manual, Operating Instructions	1
31	20154	Knob, Thermostat	1				
32	20156	Knob, Burn Rate Adjustment	1				

OPERATING INSTRUCTIONS AND OWNER'S MANUAL

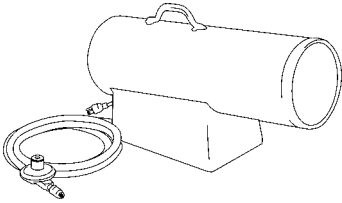
MR. HEATER

READ INSTRUCTIONS CAREFULLY: Read and follow all instructions. Place instructions in a safe place for future reference. Do not allow anyone who has not read these instructions to assemble, light, adjust or operate the heater.

HEATSTAR

MODEL MH400FAVT

MODEL HS400FAVT



WARNING:

USE ONLY MANUFACTURER'S REPLACEMENT PARTS. USE OF ANY OTHER PARTS COULD CAUSE INJURY OR DEATH. REPLACEMENT PARTS ARE ONLY AVAILABLE DIRECT FROM THE FACTORY AND MUST BE INSTALLED BY A QUALIFIED SERVICE AGENCY.

PARTS ORDERING INFORMATION:

PURCHASING: Accessories may be purchased at any Mr. Heater/HeatStar local dealer or direct from the factory

FOR INFORMATION REGARDING SERVICE

Please call Toll-Free 800-251-0001 • www.enerco-mrheater.com

Our office hours are 8:30 AM – 5:00 PM, EST, Monday through Friday.

Email to: techservice@enerco-mrheater.com

Please include the model number, date of purchase, and description of problem in all communication.

LIMITED WARRANTY

The company warrants this product to be free from imperfections in material or workmanship, under normal and proper use in accordance with instructions of The Company, for a period of one year from the date of delivery to the buyer. The Company, at its option, will repair or replace products returned by the buyer to the factory, transportation prepaid within said one year period and found by the Company to have imperfections in material or workmanship.

If a part is damaged or missing, call our Technical Support Department at 800-251-0001.

Address any Warranty Claims to the Service Department, Enerco Group, Inc., 4560 W. 160th St., Cleveland, Ohio 44135. Include your name, address and telephone number and include details concerning the claim. Also, supply us with the purchase date and the name and address of the dealer from whom you purchased our product.

The foregoing is the full extent of the responsibility of the Company. There are no other warranties, express or implied. Specifically there is no warranty of fitness for a particular purpose and there is no warranty of merchantability. In no event shall the Company be liable for delay caused by imperfections, for consequential damages, or for any charges of the expense of any nature incurred without its written consent. The cost of repair or replacement shall be the exclusive remedy for any breach of warranty. There is no warranty against infringement of the like and no implied warranty arising from course of dealing or usage of trade. This warranty will not apply to any product which has been repaired or altered outside of the factory in any respect which in our judgment affects its condition or operation.

Some states do not allow the exclusion or limitation of incidental or consequential damages, so the above limitation or exclusion may not apply to you. This Warranty gives you specific legal rights, and you may have other rights which vary from state to state.

Enerco Group, Inc., reserves the right to make changes at any time, without notice or obligation, in colors, specifications, accessories, materials and models.



ANSI Z83.7/CGA 2.14-2000

ENERCO GROUP, INC., 4560 W. 160TH ST., CLEVELAND, OHIO 44135 • 216-881-5500

Mr. Heater is a registered trademarks of Enerco Group, Inc.

© 2004, Enerco Group, Inc. All rights reserved

GUIDE D'UTILISATION ET INSTRUCTIONS DE FONCTIONNEMENT

MR. HEATER

MH400FAVT

MODÈLE

LISEZ SOIGNEUSEMENT LES INSTRUCTIONS : Lisez et observez toutes les instructions. Conservez les instructions en sécurité pour vous y référer ultérieurement. Interdisez à quiconque n'ayant pas lu les présentes instructions d'assembler, d'allumer, de régler ou de faire fonctionner cet appareil de chauffage.

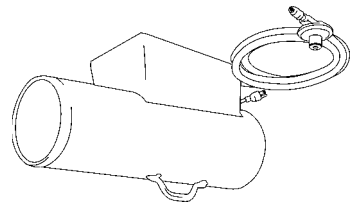
HS400FAVT

MODÈLE

HEATSTAR

AVERTISSEMENT :

N'UTILISEZ QUE LES PIÈCES DE REMPLACEMENT DU FABRICANT. L'UTILISATION D'AUTRES PIÈCES RISQUE DE CAUSER DES BLESSURES ET LA MORT. LES PIÈCES DE REMPLACEMENT NE SONT OFFERTES QUE PAR LE FABRICANT ET DOIVENT ÊTRE INSTALLÉES PAR UNE ENTREPRISE SPÉCIALISÉE.



INFORMATIONS SUR LA COMMANDE DE PIÈCES :

ACHAT : On peut se procurer les accessoires par l'entremise de tous les détaillants locaux Mr. Heater/Heatstar ou directement du fabricant

POUR OBTENIR DES INFORMATIONS SUR LE SERVICE

Appellez sans frais au 800-251-0001 • www.enerco-mrheater.com

Nos heures d'ouverture sont de 8 h 30 à 17 h HE, du lundi au vendredi.

Adressez vos courriels à : techservice@enerco-mrheater.com

Veillez indiquer le numéro du modèle, la date d'achat et la description du problème dans toutes vos communications avec nous.

GARANTIE LIMITEE

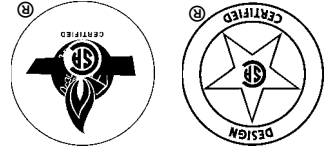
L'entreprise garantit ce produit contre tout défaut de matériel ou de main-d'œuvre, dans des conditions d'utilisation normale et adéquate, conformément aux instructions de l'entreprise, pour une période de un an à compter de la date de livraison à l'acheteur. L'entreprise réparera ou remplacera, à sa discrétion, les produits retournés port payé par l'acheteur au fabricant dans la période de un an et jugés par l'entreprise comme présentant des défauts de matériel ou de main-d'œuvre. Si une pièce est endommagée ou manquante, téléphonez à notre service de soutien technique au 800-251-0001.

Adressez toute réclamation relative à la garantie à Service Department, Enerco Group, Inc., 4560 W. 160th St., Cleveland, Ohio 44135 États-Unis. Indiquez vos nom, adresse et numéro de téléphone ainsi que les détails de la réclamation. Indiquez-nous également la date d'achat et le nom et l'adresse du détaillant de qui vous avez acheté le produit.

Ce qui est énoncé ci-dessus constitue la responsabilité totale de l'entreprise. Il n'existe aucune autre garantie, expresse ou tacite. Plus précisément, il n'y a aucune garantie concernant l'adéquation à une utilisation particulière ni aucune garantie concernant la qualité marchande. En aucun cas, l'entreprise ne sera tenue responsable des retards causés par des défauts, ni des dommages indirects, ni des dépenses encourues sans son consentement écrit, quelle que soit leur nature. Le coût de la réparation ou du remplacement sera le seul recours possible en cas de violation de garantie. Il n'y a aucune garantie contre une transgression de ce genre ni aucune garantie tacite décollant des usages du commerce ou de la façon habituelle d'échanger. La présente garantie ne s'applique à aucun produit qui a été réparé ou modifié par d'autres que le fabricant si cela influe de quelque façon que ce soit sur la condition de l'appareil ou son fonctionnement, selon notre jugement.

Certains États ou provinces ne permettent pas d'exclure ou de limiter les dommages indirects ou subéquents. Par conséquent, les limitations ou exclusions ci-dessus mentionnées ne vous concernent peut-être pas. La présente garantie vous accorde des droits juridiques précis, mais vous pourriez avoir d'autres droits qui varient selon la province ou l'État.

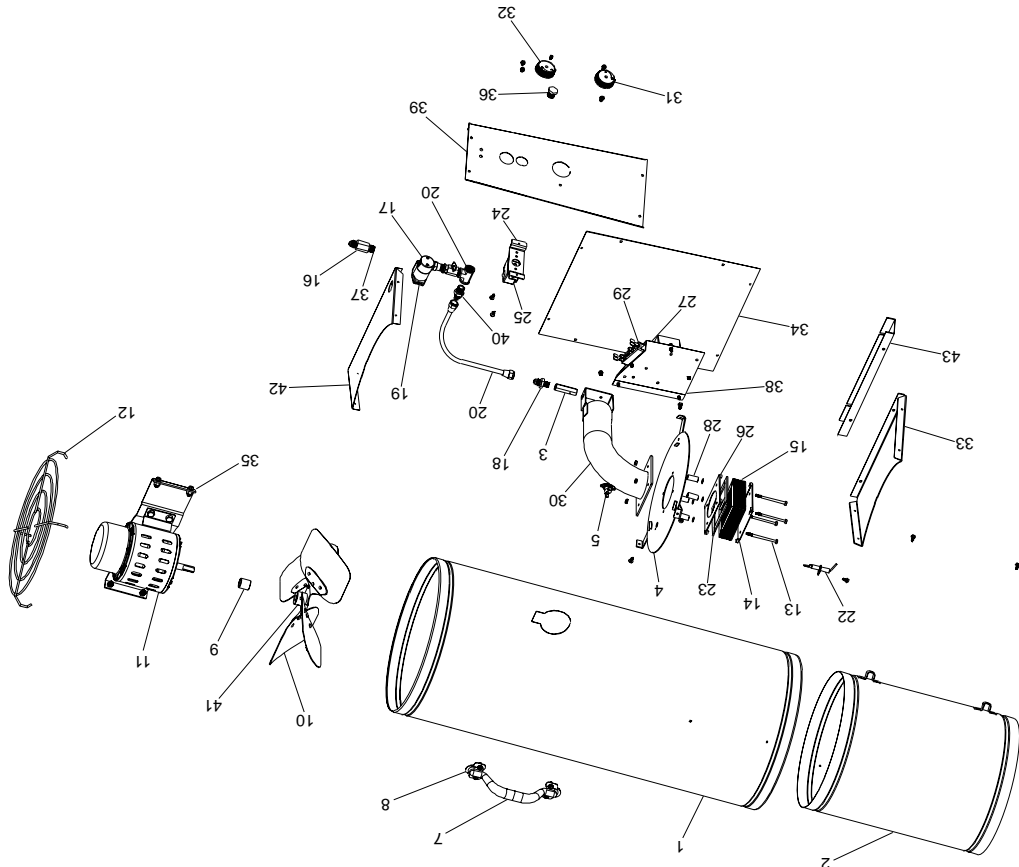
Enerco Group, Inc., se réserve le droit d'effectuer des modifications en tout temps, sans préavis ni obligation, aux couleurs, aux spécifications, aux accessoires, aux matériaux et aux modèles.



ANSI Z83.7/CGA 2, 14-2000

ENERCO GROUP, INC., 4560 W. 160TH ST., CLEVELAND, OHIO 44135 USA • (216) 881-5500
Mr. Heater est une marque de commerce déposée d'Enerco Group Inc.
© 2004, Enerco Group, Inc. Tous droits réservés

Qté	Description	Qté	Description	N° pièce	Description
1	Boîtier extérieur	1	Boîtier de commande, Panneau de sortie	20158	33
2	Bonbonne centrale	1	Boîtier de commande, Panneau de base	20160	34
3	Orifice (2,35 mm)	1	Montage du moteur	20162	35
4	Stabilisateur de flamme	1	Raccord, Bougie d'allumage 1/8 filetage gaz	20164	36
5	Interrupteur commande max.	1	Écran filtre d'entrée	20166	37
6	Vis de l'orifice, Type F	1	Support montage commande	20168	38
7	Poignée	1	Boîtier de commande Panneau CTRL	20170	39
8	Clips de montage de la poignée	2	Raccord de connexion mâle 1/8 filetage gaz x 1/8 SAE FLR	20172	40
9	Espaceur ventilateur, Nylon	2	Vis de réglage, Nylon	20174	41
10	Ventilateur	1			
11	Moteur	1	Boîtier de commande, Panneau d'entrée	20176	42
12	Grille, Entrée	1	Bague pression, 5/8	26225	*
13	Vis mécanique, Brûleur SS	4	Boîtier de commande, Panneau droite	20178	*
14	Brûleur, Plaque extérieure	1	Réducteur de tension de la bague	26223	*
15	Brûleur, Grilles céramique	4	Cordon d'alimentation	21036	*
16	Raccord de connexion mâle 1/8 filetage gaz x 1/8 SAE FLR	1	Support de collier, 5/16	26070	*
17	Electrobrûleur, Goyen	1	Tuyau	21008	*
18	Raccord de connexion mâle 1/8 filetage gaz x 1/8 SAE FLR, LG.	1			
19	Souape de réglage du taux de combustion	1	Clapet limiteur de débit POL	26433	*
20	Raccord, Filetage NPT 1/8 en T, femelle	1	Étiquette, Précautions liées à la sécurité	72427	*
21	Canalisation du combustible	1	Étiquette, Avertissement général de danger	28755	*
22	Électrode, Détecteur de flamme	1	Étiquette, Modèle	72429	*
23	Brûleur, Joint fibrefrax	1	Étiquette, Instructions de fonctionnement	28731	*
24	Support de montage du thermostat	1	Étiquette, Avertissement relatif au thermostat	26410	*
25	Thermostat	1	Massachussets		
26	Brûleur, Plaque intérieure	1	Étiquette, Avertissement relatif à l'électricité	26374	*
27	Commande de la flamme, encapsulée	1	Étiquette, Schéma de câblage	72434	*
28	Brûleur, Espaceur SS	4	Étiquette, Étiquette	72435	*
29	Panneau de raccordement	1	Étiquette, BTU 400 000	72436	*
30	Brûleur, Tube de mélange	1	Manuel, Instructions de fonctionnement	72426	*
31	Bouton, thermostat	1			
32	Bouton, réglage du taux de combustion	1			



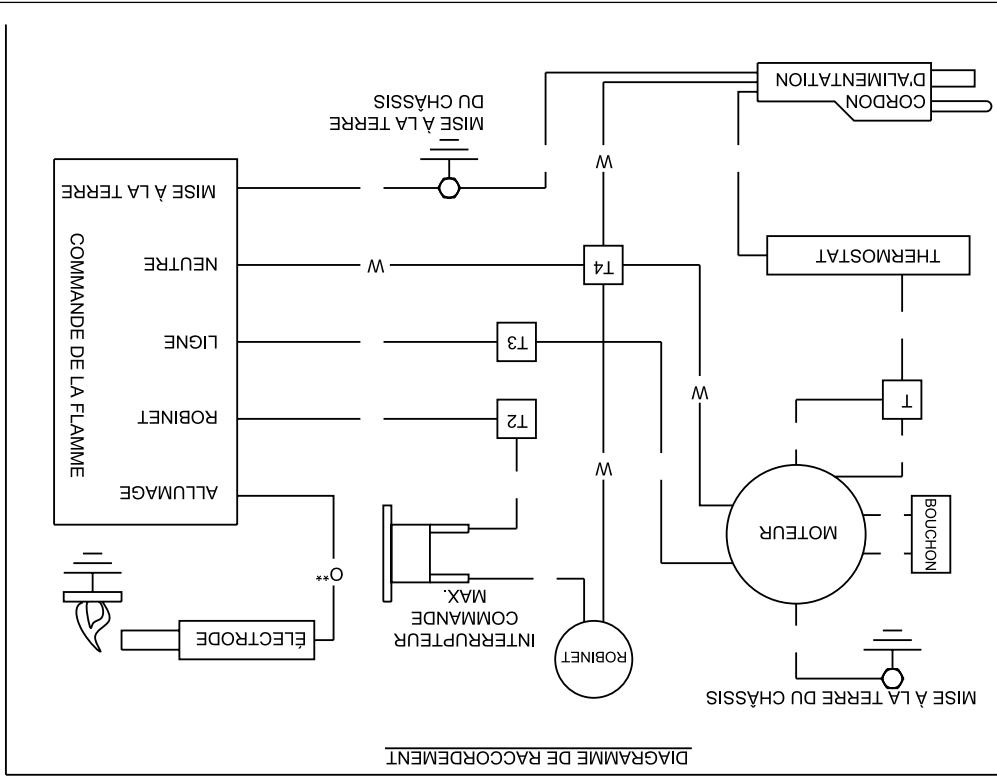
Modèle n° 400FAVT LISTE DES PIÈCES

Modèle n° 400FAVT

SCHEMA DE CÂBLAGE

CODE DE COULEUR /
LÉGENDE
B NOIR
L BLEU
G VERT
O ORANGE
R ROUGE
W BLANC
T RACCORDEMENT

Si du câblage d'origine fourni avec l'appareil de chauffage doit être remplacé, il faut utiliser du câblage de type AWG 105 °C ou un équivalent, à moins d'indication contraire (*type SF2-200, **SGI 250 °C).



Calibre minimum recommandé pour rallonges

Plaque d'identification	Tableau de calibre de câble AWG		
	120 V A	25	50
Longueur de la rallonge en pieds	150	100	150
5-6	18	16	14
6-8	18	16	12
8-12	18	14	12
10-12	16	14	10
12-14	16	12	10

N° PIÈCE	COULEUR	LONGUEUR	DE	400FAVT - SCHEMA DE CÂBLAGE	
				À	RACCORDEMENT
1100	Blanc	7 po	Valve	Raccordement	Valve
1040	Noir	6 po	Interrupteur	Raccordement	Interrupteur
1226	Rouge (Haute température)	16,5 po	Interrupteur commande max.	Raccordement	Interrupteur commande max.
1226	Rouge (Haute température)	16,5 po	Interrupteur commande max.	Raccordement	Interrupteur commande max.
1070	Orange	11 po	Commande de la flamme (Allumage)	Bougie	Commande de la flamme (Allumage)
1959	Vert	7 po	Commande de la flamme (Faisceau)	Mise à la terre	Commande de la flamme (Faisceau)
1959	Rouge	7 po	Commande de la flamme (Faisceau)	Raccordement	Commande de la flamme (Faisceau)
1959	Blanc	6 po	Commande de la flamme (Faisceau)	Raccordement	Commande de la flamme (Faisceau)
1959	Noir	6 po	Commande de la flamme (Faisceau)	Raccordement	Commande de la flamme (Faisceau)

DE QUELLE QUANTITÉ DE CHALEUR AI-JE BESOIN ?

Pour des raisons d'économie, il est important que le rendement corresponde aux besoins. Mais les besoins en matière de chaleur varient souvent. Par exemple, beaucoup de chaleur est habituellement requise pour réchauffer des objets que pour les conserver au chaud. Dans le même ordre d'idée, la température de l'air extérieur augmente habituellement durant la journée; la demande en chaleur est donc plus grande durant la nuit que durant la journée. Une approximation de la chaleur requise peut être établie à l'aide du tableau ci-dessous.

Volume de l'espace à chauffer	BTU PAR HEURE REQUIS			
	20 °F (-6,7 °C)	30 °F (-1,1 °C)	40 °F (4,4 °C)	50 °F (10 °C)
Élévation de température requise en °F (°C) *	14 000	20 000	27 999	34 000
5 000	19 000	28 000	38 000	47 000
7 000	27 000	40 000	54 000	67 000
10 000	40 000	60 000	80 000	100 000
15 000	54 000	80 000	107 000	133 000
20 000	80 000	120 000	160 000	200 000
30 000	133 000	200 000	266 000	333 000
50 000	200 000	300 000	400 000	500 000

AVERTISSEMENT : Lors de l'utilisation d'un appareil de chauffage contrôlé par thermostat, sa zone d'échappement doit être protégée à l'intention du personnel.

INSTRUCTIONS DE FONCTIONNEMENT

AVANT LE FONCTIONNEMENT

- Vérifiez soigneusement tout dommage qu'aurait pu subir l'appareil de chauffage pendant l'expédition. Si vous en découvrez, avertissez *immédiatement* le fabricant. Respectez toutes les « Précautions ».
- Branchez le raccord POL (fillet à gauche) du tuyau et du régulateur en tournant l'écran POL en sens anti-horaire dans la sortie du robinet de la bonne gaz propane, puis serrez-le avec une clé.
- Raccordez le tuyau à l'appareil de chauffage en tournant le raccord en sens horaire.
- Serrez fermement toutes les connexions de gaz.
- Ouvrez le robinet de gaz de la bonne et vérifiez toutes les connexions au moyen d'un mélange d'eau et de savon.
- N'UTILISEZ PAS DE FLAMME.
- Raccordez le cordon d'alimentation à une source d'alimentation électrique de 115 V, 60 Hz, 1 Ø, mise à la terre correctement.
- Lorsque vous utilisez une rallonge électrique, assurez-vous que celle-ci comporte trois fils (mis à la terre) de dimension appropriée.

DÉMARRAGE

- Ouvrez lentement le robinet principal de la bonne gaz propane afin de prévenir la fermeture du clapet limiteur de débit.
- Régalez le thermostat en position maximale. L'appareil s'allumera automatiquement.
- Régalez le clapet à bille sur le panneau de commande au taux de combustion désiré.
- Régalez le thermostat à la température désirée. L'appareil de chauffage se mettra en fonction et s'arrêtera automatiquement selon les variations de température dans la zone chauffée.

ARRÊT

- Fermez le robinet sur la bonne gaz propane.
- Laissez l'appareil fonctionner jusqu'à ce que tout le gaz dans le tuyau ait brûlé.
- Tournez le thermostat de l'appareil de chauffage en position « off » (arrêt). Pour les arrêts prolongés ou dans les régions où la température est inférieure à -17,8 °C (0 °F), débranchez le cordon d'alimentation de l'appareil de chauffage.

REDÉMARRAGE APRÈS UN ARRÊT D'URGENCE

- Fermez complètement le robinet sur la bonne gaz propane.
- Attendez cinq minutes.
- Recommencez la procédure « DÉMARRAGE ».

ENTRETIEN ET ENTREPOSAGE

- L'appareil de chauffage doit être vérifié avant chaque utilisation et au moins une fois par année par un technicien qualifié.
- Avant chaque utilisation, vérifiez l'assise du joint torique souple à la partie arrondi du raccord POL (fillet à gauche). Si le joint torique est coupé, usé ou endommagé de quelque façon, remplacez-le par la pièce n° 73786.
- Coupez l'alimentation en gaz propane liquéfié quand l'appareil n'est pas utilisé.
- Quand l'appareil de chauffage est rangé à l'intérieur, la connexion entre la bouteille d'alimentation en gaz basse pression et l'appareil doit être débranchée et la bouteille doit être retirée de l'appareil et rangée à l'extérieur, tel que précisé au chapitre 5 de la norme relative au rangement et à la maintenance des produits de pétrole liquéfiés ANSI/NFPA 58 et CSA B149.1 du Code d'installation du gaz naturel et du gaz propane.

ENTRETIEN

Un appareil de chauffage qui a été modifié ou qui ne fonctionne pas correctement risque d'être une cause de dangers.

Lorsqu'il fonctionne correctement :

- La flamme a une teinte bleue avec des pointes de couleur jaune.
- Il n'y a pas de forte odeur désagréable, ni de sensation de brûlure aux yeux, ni de malaise physique en général.
- Il n'y a pas de production de fumée ou de suie à l'intérieur ou à l'extérieur de l'appareil de chauffage.
- Il ne se produit pas d'arrêts imprévus ou inexplicables de l'appareil.

La liste des pièces et le schéma de câblage présentent l'appareil de chauffage tel qu'il a été construit. N'utilisez pas un appareil de chauffage qui diffère de ce qui est illustré. N'utilisez à cet effet que le tuyau et le régulateur et le raccord de bonne (appelé raccord POL) fournis avec l'appareil de chauffage. IMPORTANT Faire correspondre la bande de couleur de l'étiquette fixée au tuyau à la couleur de l'étiquette située près du raccord d'entrée de gaz propane. N'utilisez aucun élément de substitution. Sur cet appareil de chauffage, le régulateur doit être réglé tel qu'indiqué à la rubrique « Spécifications ». Si vous avez un doute au sujet du réglage du régulateur, faites-le vérifier.

Si un appareil de chauffage ne fonctionne pas correctement, il doit être réparé, mais seulement par un technicien formé et expérimenté.

Les produits couverts par la garantie seront réparés sans frais, pièces et main-d'œuvre comprises. Veuillez joindre une courte description de la nature du problème avec la date, le lieu et la preuve d'achat.

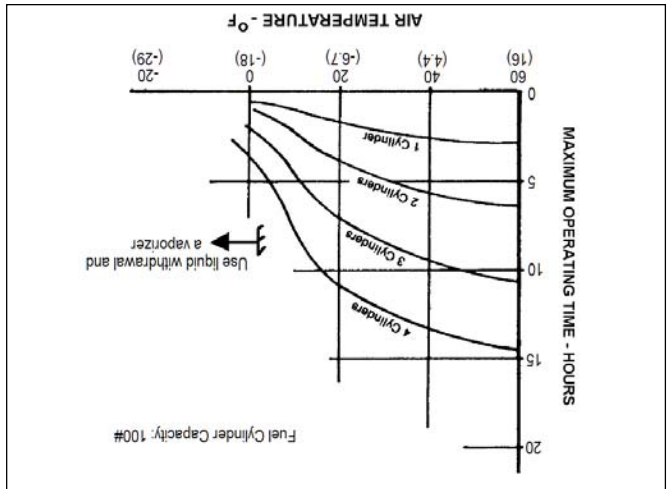
Les produits non couverts par la garantie seront réparés aux frais (pièces et main-d'œuvre) du client.

DIMENSIONS ET CONTENANCES DES BONNES DE GAZ PROPANE

Les tableaux qui suivent indiquent la taille approximative de la bonne gaz propane de gaz requise pour ces appareils de chauffage. Pour utiliser le tableau :

- Sélectionnez la température de l'air la plus basse prévue (au bas du tableau).
- Alez ensuite directement au haut du tableau au temps d'utilisation désiré (côté gauche du tableau).
- Notez la dimension de la bonne requise.

Tous les appareils de chauffage doivent disposer de bonnes plènes, d'une circulation d'air adéquate et ne pas présenter de givre



- Certaines personnes ne détectent pas bien les odeurs. Il est donc possible que certaines personnes ne puissent sentir la substance odorante ajoutée au gaz propane (liquée) ou au gaz naturel. Vous devez savoir si vous arrivez à déceler l'odeur de cette substance dans le gaz combustible.

SUBSTANCE ODORANTE - AUCUNE ODEUR DÉCELÉE

- d'allumer l'appareil pour vous.
- toute fuite, vérifier la présence d'autres fuites, puis se charger de retourner. Le personnel d'entretien expérimenté doit colmater et s'échapper. Assurez-vous qu'ils aient aéré l'immeuble avant d'y retourner.
- ou d'approvisionnement en gaz combustible vérifier si du gaz EN DERNIER LIEU, laissez le personnel du service des incendies combustible a été confirmé que l'endroit ne comporte aucun risque.
- que le personnel du service des incendies ou le fournisseur en gaz N'entrez pas dans l'immeuble et restez-en à l'écart jusqu'à ce que le retour ne soit pas dans l'immeuble ou dans le secteur.
- fournisseur en gaz combustible et votre service d'incendies.
- Utilisez le téléphone d'un voisin et communiquez avec votre une fuite de gaz propane, éloignez-vous des endroits plus bas.
- s'accumuler dans les endroits près du sol. Si vous croyez qu'il y a du gaz propane (liquée) est plus lourd que l'air et peut du gaz naturel.
- d'alimentation principale située sur le compteur, si vous utilisez propane (liquée) ou de la bonbonne, ainsi que le robinet Fermez tous les robinets d'alimentation du réservoir de gaz dans l'immeuble.
- Faites évacuer immédiatement toute personne se trouvant flamme. N'utilisez pas votre téléphone.
- électrique. N'allumez pas d'allumettes ni aucune source de Ne prenez aucune mesure qui provoquerait l'allumage des vapeurs de gaz. N'utilisez aucun interrupteur électrique. Ne tirez sur aucune source d'alimentation électrique ou rallonge

ODEUR DU GAZ COMBUSTIBLE
Des additifs odorants ont été ajoutés au gaz propane
liquée et au gaz naturel dans le but de faciliter la
détection de fuites.
Vous devriez remarquer une odeur de gaz combustible
si il y a une fuite. Comme le gaz propane (liquée) est
plus lourd que l'air, l'odeur de gaz se détecte plus
facilement près du sol. TOUTE ODEUR DE GAZ EST UN
SIGNAL OU IL FAUT INTERVENIR IMMÉDIATEMENT!

- Le gaz propane (liquée) dégage une odeur particulière. Apprenez à reconnaître cette odeur. (Consultez les rubriques Odeur du gaz combustible et Substance odorante, ci-dessus.)
- Même si vous n'avez pas été formé pour effectuer l'entretien et la réparation de l'appareil, soyez TOUTOURS attentif aux odeurs que dégagent le gaz propane (liquée) et le gaz naturel.
- Si vous n'êtes pas formé pour procéder à l'entretien et à la réparation des appareils au gaz propane (liquée), ne tentez pas d'allumer l'appareil, de le réparer ou de l'entretenir, ni d'apporter des réglages au système d'alimentation en gaz propane de l'appareil.
- Peu importe les conditions, une bonne pratique de sécurité consiste à sentir de temps à autre autour de l'appareil, des raccords, du tuyau et autres éléments. Si vous décelez la moindre odeur de gaz, COMMUNIQUEZ IMMÉDIATEMENT AVEC VOTRE FOURNISSEUR EN GAZ COMBUSTIBLE. N'ATTENDEZ PAS!

ATTENTION - POINTS ESSENTIELS À RETENIR!

immédiatement tel que décrit précédemment.
comme s'il s'agissait d'une fuite importante. Intervenez
odeur de gaz persiste, même si elle est minime, agissez
Portez toujours attention à la moindre odeur de gaz. Si une
niveauux inférieurs.
 est plus lourd que l'air, l'odeur peut être plus prononcée à des différents niveaux. Étant donné que le gaz propane (liquée) peut filtrer l'odeur.
 L'intensité de l'odeur du gaz propane (liquée) peut varier à En cas de fuite souterraine, le déplacement du gaz dans le sol constantes, son odeur pourrait s'estomper.
 (liquée) et le gaz naturel est incolore et, selon certaines La substance odorante contenue dans le gaz propane clos peut aussi masquer l'odeur du gaz combustible.
 odeur est présente. La présence d'animaux dans des endroits vous demeurerez un certain temps dans un endroit où cette facilité à déceler une odeur quelconque peut s'estomper si Le tabagisme peut nuire à votre faculté olfactive. Votre combustible.
 pastille pour vous aider à reconnaître l'odeur de gaz comprenant une pastille à humer. Servez-vous de cette (liquée) locaux seront heureux de vous fournir un feuillet gaz naturel. Pour ce faire, les détaillants de gaz propane Apprenez à reconnaître l'odeur du gaz propane et celle du

AVERTISSEMENT

Risque d'asphyxie

• Cet appareil ne doit pas être utilisé pour le chauffage de locaux où demeurent des gens.

• Ne l'utilisez pas dans des endroits non aérés.

• Le débit de chaleur et d'air de ventilation ne doit pas être obstrué.

• Le processus de combustion de cet appareil exige un apport adéquat en air de ventilation.

• Consultez la rubrique portant sur les spécifications techniques dans le manuel de l'appareil ou sur la plaque de données de l'appareil, ou communiquez avec le fabricant pour obtenir les renseignements relatifs aux exigences en apport d'air de ventilation pour la combustion.

• Le processus de combustion ne peut s'effectuer correctement si l'apport en air de ventilation est insuffisant.

• Une combustion inadéquate produit des émanations nocives de monoxyde de carbone pouvant entraîner des troubles de santé graves, voire mortels. Les symptômes d'empoisonnement au monoxyde de carbone sont les maux de tête, les étourdissements et la difficulté respiratoire.

AVERTISSEMENT LIÉ AUX SUBSTANCES ODORANTES

PRÉCAUTIONS LIÉES AU FONCTIONNEMENT

Cet appareil de chauffage à air pulsé est à feu direct fonctionne au gaz propane. Il est destiné principalement à chauffer temporairement des édifices en construction, en rénovation ou en réparation.

Le gaz propane est plus lourd que l'air. Si du gaz propane fuit d'une connexion ou d'un raccord, il se dirige vers le plancher, se mélange avec l'air ambiant et forme un mélange potentiellement explosif. Évidemment, les fuites de gaz propane devraient être évitées; il est donc important de raccorder l'alimentation en propane avec le plus grand soin. Veuillez lire le feuillet « Substance odorante et gaz propane » ci-joint pour obtenir plus de précisions relatives à la détection des fuites de gaz propane. Vérifiez la présence de fuite aux nouvelles connexions et raccords en utilisant un mélange d'eau et de savon et suivez les instructions mentionnées. Obtenez également les conseils de votre détaillant quant à votre installation au propane et posez-lui toute question que vous auriez à cet égard.

Cet appareil a été conçu et homologué pour être utilisé comme appareil de chauffage pour chantier de construction, conformément à la norme Z83.7/CGA 2.14-2000 de l'ANSI. Soumettez à l'organisme local responsable de la sécurité et des incendies toute question relative à votre type d'installation. Selon le type d'application, d'autres normes peuvent s'appliquer et régir l'utilisation des produits de combustion, de gaz combustible et des appareils de chauffage. L'organisme local qui en est responsable saura vous conseiller à cet égard.

Le fonctionnement à feu direct de cet appareil signifie que tous les produits de combustion se retrouvent dans l'air ambiant. Même si l'efficacité de combustion de l'appareil de chauffage est presque complète, il produit quand même de petites quantités de monoxyde de carbone. Le monoxyde de carbone (appelé CO) est toxique. Notre organisme ne peut en supporter que de faibles quantités. Il est possible que le CO s'accumule dans le local à chauffer. Une ventilation inadéquate pourrait ainsi causer la mort.

Les symptômes ressentis en cas de ventilation inadéquate sont les suivants :

- mal de tête
- étourdissement
- sensation de brûlure au nez et aux yeux
- nausée
- mal de gorge ou bouche sèche

Assurez-vous donc de respecter les consignes au sujet de la ventilation mentionnées dans ces instructions.

Un appareil à air pulsé signifie que l'air est soufflé dans l'appareil de chauffage par un ventilateur. La qualité de la combustion dépend du débit d'air. Par conséquent, l'appareil de chauffage ne doit pas être modifié ni fonctionner si des pièces sont manquantes. Dans le même ordre d'idées, les systèmes de sécurité ne doivent pas être contournés ni modifiés pour faire fonctionner l'appareil.

Lorsque l'appareil de chauffage doit fonctionner en présence d'autres personnes, l'utilisateur est responsable d'informer ces dernières des instructions et précautions liées à la sécurité et de les avertir des dangers inhérents.

Figure 1

VENTILATION : ouvertures minimales requises

Appareil de chauffage	Ouverture près du plancher	3,5 p ²
Air pulsé (400 FAVT)	Ouverture près du plafond	3,5 p ²

PRÉCAUTIONS LIÉES À LA SÉCURITÉ

1. Vérifiez attentivement si l'appareil de chauffage a subi des dommages. NE FAITES PAS fonctionner un appareil endommagé.
2. NE MODIFIEZ PAS l'appareil de chauffage et ne le faites pas fonctionner s'il n'est plus dans son état d'origine.
3. Utilisez uniquement du gaz propane.
4. Utilisez uniquement une alimentation au propane à ÉLIMINATION DES ÉMANATIONS. Si vous avez des questions à propos de l'élimination des émanations, consultez votre détaillant de gaz propane.
5. Installez les bonnes de propane verticalement (robinet de fermeture vers le haut). Fixez-les comme il convient de sorte qu'ils ne puissent se décrocher accidentellement et protégés-les contre les dommages.
6. Placez les réservoirs de gaz propane à une distance minimale (aux États-Unis) de 2,13 m (7 pi) ou (au Canada) de 3 m (10 pi) de l'appareil de chauffage et n'orientez pas l'échappement directement vers les réservoirs.
7. IMPORTANT Utilisez uniquement le tuyau et le régulateur fourni avec l'appareil. Faites correspondre la bande de couleur de l'étiquette fixée au tuyau à la couleur de l'étiquette située près du raccord d'entrée de gaz propane sur l'appareil. Inspectez le tuyau avant chaque utilisation de l'appareil de chauffage. En cas d'abrasion, d'usure excessive ou de courbure, remplacez le tuyau par l'ensemble de tuyaux recommandé avant d'utiliser l'appareil de chauffage.
8. Pour utilisation intérieure seulement. La ventilation doit être fonctionnelle (voir également « Précautions liées au fonctionnement »).
9. Si une odeur de gaz est détectée, ARRÊTEZ IMMÉDIATEMENT l'appareil de chauffage jusqu'à ce que la source d'émission du gaz ait été localisée et colmatée. Veuillez lire le feuillet « Substance odorante et gaz propane » ci-joint pour obtenir plus de précisions relatives à la détection des fuites de gaz propane. Installez l'appareil de chauffage de façon à ce qu'il ne soit pas exposé à l'eau.
10. Conservez un écart minimal entre l'appareil et tout matériel combustible (tel que du papier). **Figure 2**
12. En raison des températures élevées de la surface et de l'échappement, les adultes et les enfants doivent respecter les distances de sécurité pour éviter des brûlures et l'inflammation des vêtements.
13. Utilisez uniquement sur des surfaces stables et de niveau.
14. N'utilisez pas l'appareil avec des conduits d'air. N'obstruez pas l'entrée et la sortie d'air.
15. N'utilisez qu'avec l'alimentation électrique spécifiée. Le raccordement électrique et la mise à la terre doivent être conformes au Code national de l'électricité – ANSI/NFPA 70 (aux États-Unis) – et à la norme CSA C22.1, partie 1 du Code canadien de l'électricité (au Canada).
16. N'utilisez qu'avec une prise mise à la terre munie de trois broches.
17. Ne déplacez pas l'appareil, ne le touchez pas et n'essayez pas d'en faire l'entretien alors qu'il est chaud.
18. Utilisez l'appareil en observant les codes de sécurité en vigueur localement ou référez-vous aux normes relatives à l'entreposage et à la manutention des produits de pétrole liquéfiés ANSI/NFPA 58 et CSA B149.1 du Code d'installation du gaz naturel et du gaz propane.

ÉCART MINIMUM : entre l'appareil et tout matériel combustible

Figure 2

Écart	Air pulsé 400 FAVT
Du plancher	0 pi
De la sortie	8 pi
Des côtés	2 pi
Du dessus	3 pi
Placez l'appareil à 3 m (10 pi) des baches et des revêtements similaires, et fixez-les afin d'empêcher tout battement ou mouvement causé par le vent.	

TABLE DES MATIÈRES

2..... Spécifications

3..... Précautions liées au fonctionnement

3..... Précautions liées à la sécurité

4..... Avertissement relatif aux substances odorantes

5..... Instructions de fonctionnement

5..... Entretien et entreposage

6..... Schéma de câblage

7..... Liste des pièces

7..... Plan détaillé

SPÉCIFICATIONS

400FAVT..... MODÈLE N°

Propane..... TYPE DE GAZ

210 000 à 400 000 BTU/h..... COTE BTU (de 61,5 à 117 kW)

PRESSION DE L'ALIMENTATION EN GAZ AU RÉGULATEUR
Maximum : **Pression de la bonbonne, Minimum : 0,14 MPa (20 lb/po²)**

À LA SORTIE DU RÉGULATEUR 0,14 MPa (20 lb/po²)
CONSUMATION ÉLECTRIQUE 115 V, 60 Hz, 1 Ø, 5,5 A
ALLUMAGE Par étincelle, type interrompu
COMMANDE DE LA FLAMME Transistorisée,
temporisation De 10 à 15 secondes

COMMANDE DE TEMPÉRATURE MAXIMALE 16 °C (240 °F)
Température ambiante min. : -17,8 °C (0 °F)

4,2 à 8,4 kg/h..... CONSOMMATION DE GAZ
(9,3 à 18,5 lb/h)

1..... NOMBRE D'ORIFICES DE COMBUSTIBLE : 1
DIMENSION DES ORIFICES : 2,35 MM
SORTIE D'AIR CHAUFFÉ : 39,6 M³/MIN. (1 400 P1₃/MIN.)

AVERTISSEMENT GÉNÉRAL DE DANGER :

AVERTISSEMENT :
 ⚠ VOTRE SÉCURITÉ PERSONNELLE ÉTANT IMPORTANTE
 POUR TOUS, VEUILLEZ LIRE LES INSTRUCTIONS AVANT
 D'UTILISER CET APPAREIL DE CHAUFFAGE.

⚠ LE NON-RESPECT DES MESURES DE PRÉVENTION ET
 INSTRUCTIONS FOURNIES AVEC CET APPAREIL DE
 CHAUFFAGE RISQUE DE CAUSER LA MORT, DES
 BLESSURES GRAVES ET DES DOMMAGES OU DES PERTES
 MATÉRIELLES RÉSULTANT D'INCENDIE, D'EXPLOSION,
 DE BRÛLURE, D'ASPHYXIE, D'INTOXICATION AU
 MONOXYDE DE CARBONE OU D'ÉLECTROCUTION.
 ⚠ SEULES LES PERSONNES APTES À COMPRENDRE ET
 À RESPECTER LES INSTRUCTIONS DEVAIENT UTILISER
 OU EFFECTUER L'ENTRETIEN DE CET APPAREIL DE
 CHAUFFAGE.
 ⚠ SI VOUS AVEZ BESOIN D'AIDE OU D'INFORMATION
 AU SUJET DE L'APPAREIL DE CHAUFFAGE (MANUEL
 D'INSTRUCTIONS, ÉTIQUETTES, ETC.), VEUILLEZ
 COMMUNIQUER AVEC LE FABRICANT.

AVERTISSEMENT :

L'État de la Californie exige que l'avertissement suivant soit
 fourni :
 L'UTILISATION DE CET APPAREIL CRÉE DES SOUS-PRODUITS DE
 COMBUSTION CONTENANT DU MONOXYDE DE CARBONE, UN
 PRODUIT CHIMIQUE RECONNU PAR L'ÉTAT DE LA CALIFORNIE
 COMME CAUSE DE CANCER ET D'ANOMALIES CONGÉNITALES
 (OU AUTRES RISQUES POUR LA REPRODUCTION).

AVERTISSEMENT :

⚠ DANGER D'INCENDIE, D'EXPLOSION ET D'INHALATION.
 CONSERVEZ LES MATÉRIAUX COMBUSTIBLES TELS QUE LES
 MATÉRIAUX DE CONSTRUCTION, LE PAPIER ET LE CARTON À
 UNE DISTANCE SÉCURITAIRE DE L'APPAREIL DE CHAUFFAGE
 COMME LE RECOMMANDENT LES INSTRUCTIONS.
 N'UTILISEZ JAMAIS L'APPAREIL DE CHAUFFAGE DANS UN
 LOCAL QUI CONTIENT OU RISQUE DE CONTENIR DES
 PARTICULES COMBUSTIBLES EN SUSPENSION DANS L'AIR
 OU DES PRODUITS TELS QUE DE L'ESSENCE, DES SOLVANTS,
 DU DILUANT À PEINTURE, DES PARTICULES DE POUSSIÈRE
 OU DES PRODUITS CHIMIQUES INCONNUS.

AVERTISSEMENT :

⚠ NON CONÇU POUR UNE UTILISATION DANS LA MAISON
 OU UN VÉHICULE RÉCRÉATIF

GUIDE D'UTILISATION ET INSTRUCTIONS DE FONCTIONNEMENT

MR. HEATER

MH400FAVT

MODÈLE

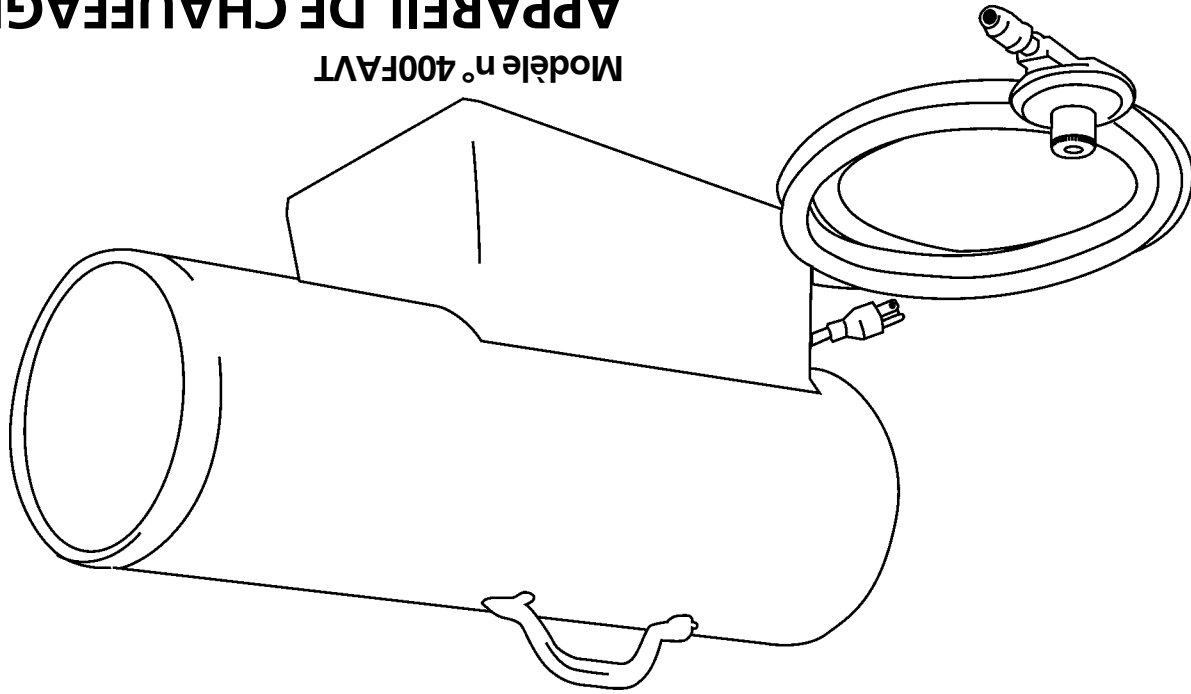
LISEZ SOIGNEUSEMENT LES INSTRUCTIONS :

lisiez et observez toutes les instructions. Conservez les instructions en sécurité pour vous y référer ultérieurement. Interdisez à quiconque n'ayant pas lu les présentes instructions d'assembler, d'allumer, de régler ou de faire fonctionner cet appareil de chauffage.

HEATSTAR

HS400FAVT

MODÈLE



Modèle n° 400FAVT

APPAREIL DE CHAUFFAGE AU PROPANE À AIR PULSÉ POUR CHANTIER DE CONSTRUCTION

Le fait de ne pas respecter les instructions données dans le présent guide d'AVERTISSEMENT : avec exactitude risque d'entraîner une explosion ou un incendie causant des dommages matériels, des blessures et des pertes de vie.

- N'entrez pas ni n'utilisez d'essence ou autres liquides ou vapeurs inflammables à proximité de ce type d'appareil.
- Aucune bonne de propane liquéfié non raccordée pour utilisation ne doit se trouver à proximité de cet appareil, ni d'aucun autre appareil.
- EN PRÉSENCE D'UNE ODEUR DE GAZ
- Ne tentez pas d'allumer l'appareil de chauffage.
- Éteignez toute flamme nue.
- Fermez l'alimentation en gaz à l'appareil.
- L'entretien doit être effectué par un fournisseur de services d'entretien qualifié.

Cet appareil de chauffage portatif alimenté au gaz n'est pas ventilé. Il utilise l'oxygène de l'air ambiant. Une circulation d'air adéquate doit être assurée pour la combustion et la ventilation. Voir page 3.