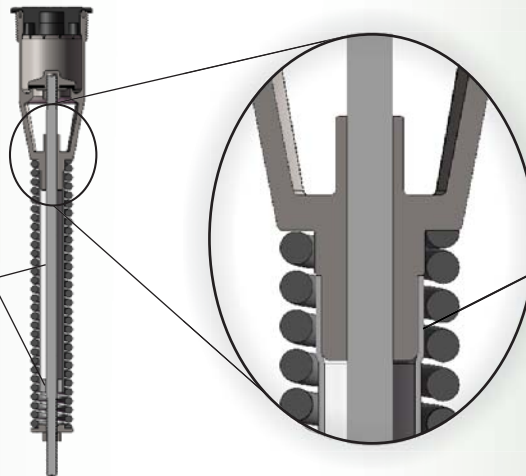


Full Internal Relief Valves



Rigid Full Length Spring and Stem Guide Resists Severe Vibration



Large Diameter Stainless Steel Spring Guide Press Fit on Valve Body

MEV200FIR & MEV300FIR

Description

Designed for use in mobile LPG & NH₃ containers as a primary pressure relief valve for bobtail and transport trailer installations. All working components are internal to the container connection preventing damage to the valve should a roll-over incident occur.

Features

- Durable stainless steel body and rigid spring guide construction.
- All stainless steel internal components for maximum corrosion resistance.
- Available with Nitrile, Viton®, or Kalrez® valve seals.
- Large seating surface for superior seal performance & reliability.
- Available with 250 & 265 UL PSI set pressures.

Part No.	STD/ PSIG	Container Connection	Installation Hex	Flow Capacity SCFM/Air**	Service		Seat Material	Accessories	
				UL @ 120% Set Pressure	LPG	NH ₃		Cap	Hex Installation Tool
MEV200FIR/250	250	2"MNPT	1-1/2"	4,460	Yes	Yes	Nitrile	MEV200FIR-09	MEP200FIR
MEV200FIR/265	265	2"MNPT	1-1/2"	4,670	Yes	Yes	Nitrile	MEV200FIR-09	MEP200FIR
MEV200FIRV/250	250	2"MNPT	1-1/2"	4,460	Yes	No	Viton®	MEV200FIR-09	MEP200FIR
MEV200FIRV/265	265	2"MNPT	1-1/2"	4,670	Yes	No	Viton®	MEV200FIR-09	MEP200FIR
MEV200FIRK/250*	250	2"MNPT	1-1/2"	4,460	Yes	Yes	Kalrez® ~	MEV200FIR-09	MEP200FIR
MEV200FIRK/265*	265	2"MNPT	1-1/2"	4,670	Yes	Yes	Kalrez® ~	MEV200FIR-09	MEP200FIR
MEV300FIR/250	250	3" MNPT	2-1/2"	10,865	Yes	Yes	Nitrile	MEV300FIR-09	MEP300FIR
MEV300FIR/265	265	3" MNPT	2-1/2"	11,600	Yes	Yes	Nitrile	MEV300FIR-09	MEP300FIR
MEV300FIRV/250	250	3" MNPT	2-1/2"	10,865	Yes	No	Viton®	MEV300FIR-09	MEP300FIR
MEV300FIRV/265	265	3" MNPT	2-1/2"	11,600	Yes	No	Viton®	MEV300FIR-09	MEP300FIR
MEV300FIRK/250*	250	3" MNPT	2-1/2"	10,865	Yes	Yes	Kalrez® ~	MEV300FIR-09	MEP300FIR
MEV300FIRK/265*	265	3" MNPT	2-1/2"	11,600	Yes	Yes	Kalrez® ~	MEV300FIR-09	MEP300FIR

* Seat Material not UL Listed

** Flow rates are shown for bare relief valves, pipe-aways will reduce flow

*** Size relief capacity per NFPA 58 2011, table 5.7.2.6

~ Recommended for LPG and NH₃ Dual Service Applications

Accessories

Part No.	Description
MEV200FIR-09	2" Internal Relief Valve Cap & Lanyard
MEV300FIR-09	3" Internal Relief Valve Cap & Lanyard
MEP200FIR	1-1/2" Hex Drive Socket For MEV200FIR Valves
MEP300FIR	2-1/2" Hex Drive Socket For MEV200FIR Valves

Viton® and Kalrez® are trademarks of DuPont Performance Elastomers.



For Your Local Marshall Excelsior Distributor Call 269-789-6700,
Fax 269-781-8340 or E-mail: sales@marshallexcelsior.com
www.marshallexcelsior.com



Made in the
U.S.A