



**ME990-10-VRK
COMPLETE VALVE REPAIR KIT
FOR: ME990-10 1 1/4" INTERNAL VALVE**

!!!WARNING!!!

READ AND UNDERSTAND ALL INSTRUCTIONS INCLUDED WITH THIS REPAIR KIT
RELIEVE ALL PRESSURE FROM SYSTEM BEFORE REMOVING VALVE FOR SERVICE

NOTE: Numbers in brackets [] refer to the number in the valve component list.

A. Disassembly

- 1. EVACUATE ALL PRESSURE FROM SYSTEM BEFORE ANY DISASSEMBLY OR REPAIR.**
2. Remove (2) Socket Head Cap Screws [12] and Packing Retainer [6] from Body [1] and discard.
3. Remove Packing Gland Assembly [2] and discard.
4. Remove Nut [9] from Stem [3] and discard.
5. Remove Valve Holder Assembly [8] from Stem [3] and discard.
6. Remove Excess Flow Spring [10] from Stem [3] and either:
 - a. Discard if you have purchased a new Excess Flow Spring; or
 - b. Retain if you did not purchase a new Excess Flow Spring.
7. Remove Upper Stem Washer [7] from Stem [3] and discard.
8. Remove Stem [3], Lower Stem Washer [11], Valve Spring [5], and Stem Guide [4] from Body [1] and discard.
9. Inspect Valve Body [1] and clean if necessary, be sure interior is free of dirt, residue and foreign particles.

B. Reassembly

1. Install Lower Stem Washer [11], Valve Spring [5], and Stem Guide [4] on Stem [3] and install into Body [1] with leg of Stem Guide [4] in pocket of Body [1].

2. Install Upper Stem Washer [7] and Excess Flow Spring [10] on Stem [3].
3. Install Valve Holder Assembly [8] on Stem [3].
4. Apply Loctite #271 to threads of Nut [9] and install on Stem [3] and tighten. Ensure no loctite contacts Valve Holder Assembly [8].
5. Install Gland Assembly [2] into Body [1].
6. Apply Loctite #271 to threaded holes in Body [1] and install Packing Retainer [6]. Install (2) Socket Head Cap Screws [12] thru Packing Retainer [6] into Body [1].
7. Connect the valve assembly outlet to a pressure source of at least 150 PSI. Check for leaks at all joints and stem seals using a suitable leak detector solution such as "Marshall Excelsior" leak detector.

CAUTION: DO NOT USE THE VALVE IF ANY JOINT CONTINUES TO LEAK UNDER PRESSURE.

C. Component List

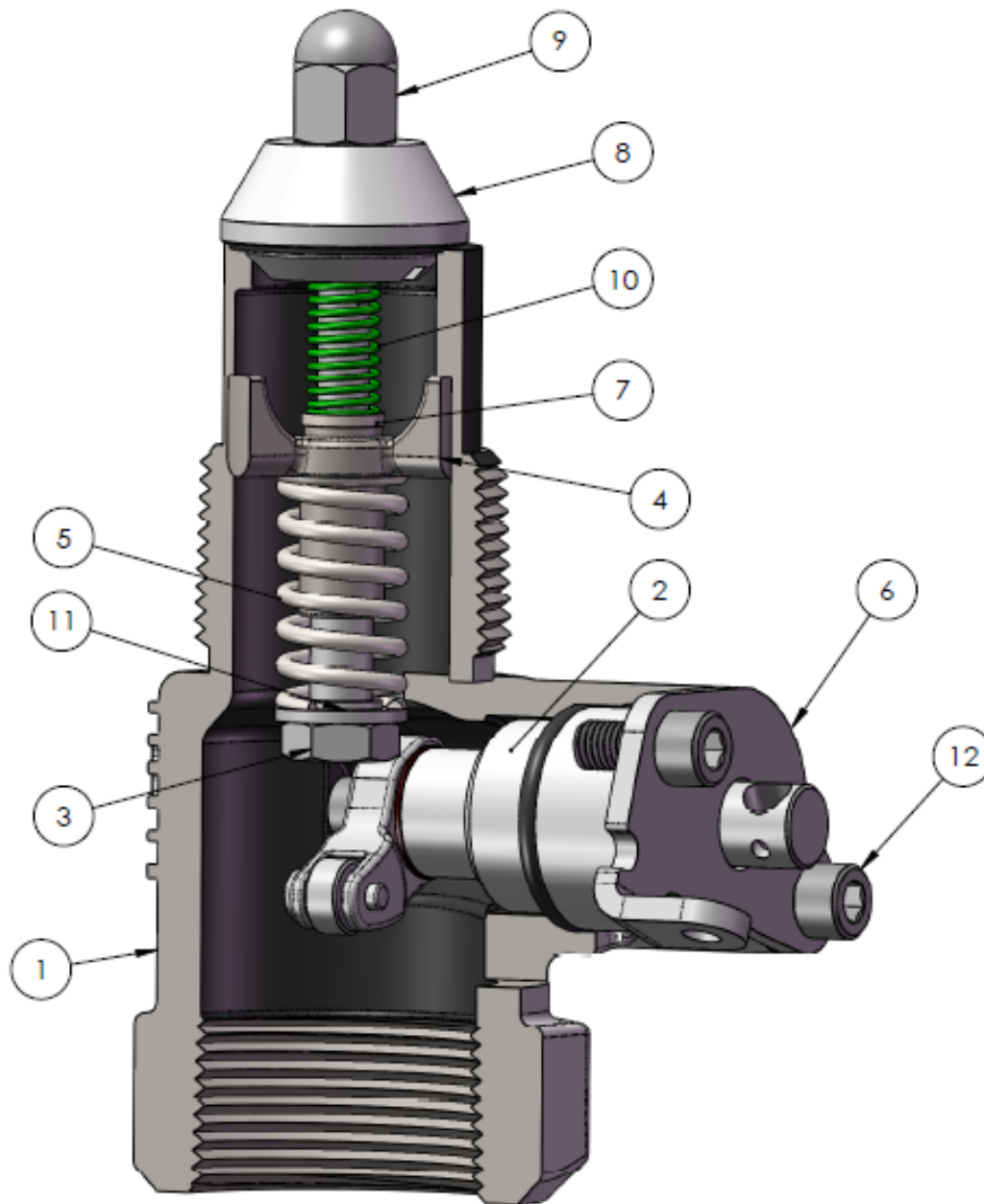
1. Body
2. Gland Assembly
3. Stem
4. Stem Guide
5. Valve Spring
6. Packing Retainer
7. Upper Stem Washer
8. Valve Holder Assembly
9. Nut
10. Excess Flow Spring
11. Lower Stem Washer
12. Socket Head Cap Screw, 2 required

Marshall Excelsior Company

1506 George Brown Drive Marshall, MI 49068
Phone (269) 789-6700 Fax (269) 781-8340
www.marshallexcelsior.com

The contents of this publication are for informational purposes only. While every effort has been made to ensure accuracy, these contents are not to be construed as warranties or guarantees, expressed or implied, regarding the products or services described herein or for their use or applicability. Marshall Excelsior Co. reserves the right to modify or improve the designs or specifications of such products at any time without notice. The MEC™ logo is the trademark of Marshall Excelsior Co.

**ME990-10-VRK
COMPLETE VALVE REPAIR KIT
FOR: ME990-10 1 1/4" INTERNAL VALVE**



Marshall Excelsior Company

1506 George Brown Drive Marshall, MI 49068
Phone (269) 789-6700 Fax (269) 781-8340
www.marshallexcelsior.com

The contents of this publication are for informational purposes only. While every effort has been made to ensure accuracy, these contents are not to be construed as warranties or guarantees, expressed or implied, regarding the products or services described herein or for their use or applicability. Marshall Excelsior Co. reserves the right to modify or improve the designs or specifications of such products at any time without notice. The MEC™ logo is the trademark of Marshall Excelsior Co.