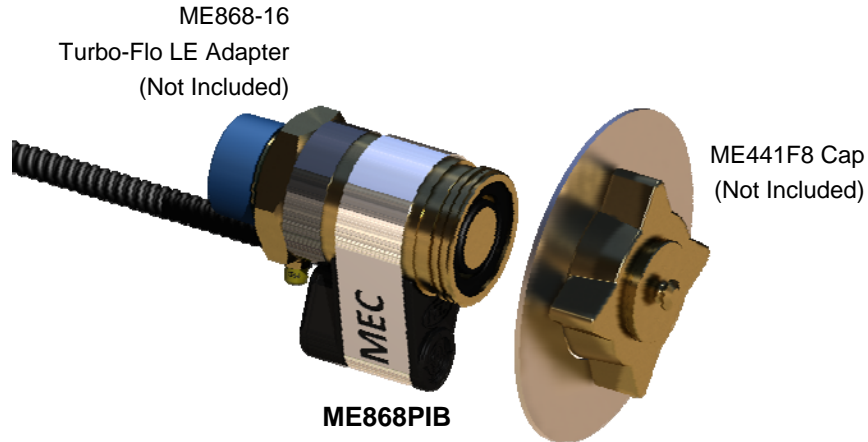


# Turbo-Flo LE Proximity Interlock System



## Application:

Designed to incorporate (MEC) Smart Interlock Technology with our Turbo-Flo LE adapter system. (MEC) Smart Interlock Technology is designed for direct connection to Allison® automatic transmissions through the "auxiliary function range inhibit" or braking systems for manual transmission vehicles. (MEC) Smart Interlock Technology prevents the vehicle from being operated while the truck is being loaded. This revolutionary system incorporates the industry's best and most durable sensor - Turck® - which are backed with a lifetime product warranty.

## Features:

- Molded urethane sensor body housing for durability and maximum sensor protection
- Stainless steel mounting band and hardware
- Supplied standard with (MEC) Smart Interlock Technology
  - Interlock technology features Turck® proximity switch for maximum weather resistance and security against vibration
  - Supplied with water tight conduit and necessary wiring hardware to reach 5' below deck with water tight receptacle plug
  - Optional wiring harness cable kits available in 20' or 30' lengths

Part #	Description
ME868PIB	Smart Interlock Bracket Kit for ME868 Turbo-Flo LE Series Adapters
Accessories	
Part #	Description
MEP801PC/20	20' Smart Interlock Cable w/ Water Tight Receptacle Plug - Only
MEP801PC/30	30' Smart Interlock Cable w/ Water Tight Receptacle Plug - Only
MEP801PCK/20	Complete 20' Smart Interlock Cable Kit w/1 Relay / LED Power Indicator / Inline Fuse
MEP801PCK/30	Complete 30' Smart Interlock Cable Kit w/1 Relay / LED Power Indicator / Inline Fuse
MEP802PCK/20	Complete 20' Smart Interlock Cable Kit w/2 Relays / LED Power Indicator / Inline Fuse
MEP802PCK/30	Complete 30' Smart Interlock Cable Kit w/2 Relays / LED Power Indicator / Inline Fuse
MEP803PCK/20	Complete 20' Smart Interlock Cable Kit w/3 Relays / LED Power Indicator / Inline Fuse
MEP803PCK/30	Complete 30' Smart Interlock Cable Kit w/3 Relays / LED Power Indicator / Inline Fuse