

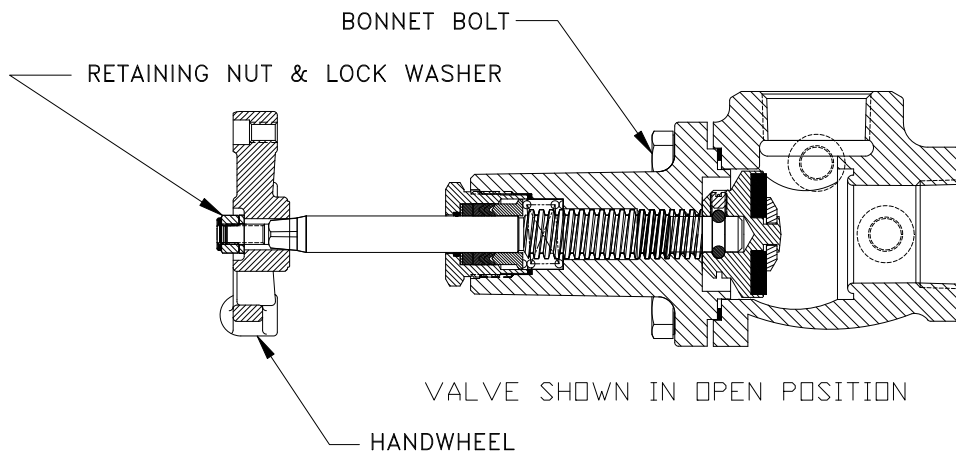
**ME815HRK SERIES
HANDWHEEL REPAIR KIT FOR MARSHALL EXCELSIOR GLOBE & ANGLE
VALVES
FOR: ME815/ME825 1 ¼" THRU 3" NPT SIZES**

!!!WARNING!!!

READ AND UNDERSTAND ALL INSTRUCTIONS INCLUDED WITH THIS REPAIR KIT

VALVE HANDWHEEL DISASSEMBLY INSTRUCTIONS

1. Turn handwheel clockwise to fully close the valve.
2. Remove handwheel retaining nut and lock washer from shaft and discard.
3. Remove handwheel from valve shaft and discard.



VALVE HANDWHEEL REPLACEMENT INSTRUCTIONS

1. Install new handwheel onto the valve shaft until seated.
2. Install new lock washer and retaining nut as shown and tighten.
3. Open and close the valve to ensure proper operation.