

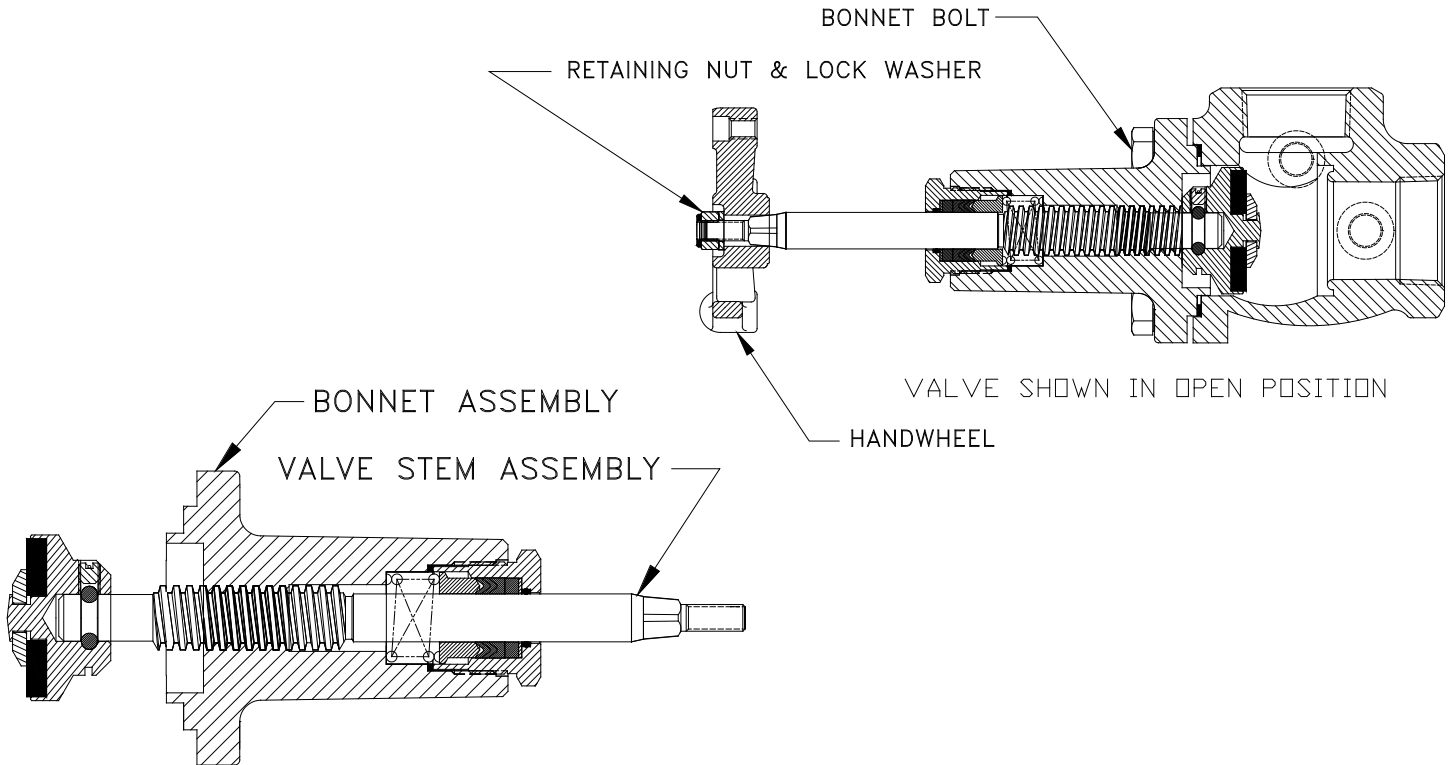
ME815BRK SERIES
BONNET REPAIR KIT FOR MARSHALL EXCELSIOR GLOBE & ANGLE VALVES
FOR: ME815/ME825 1 1/4" THRU 3" NPT SIZES

!!!WARNING!!!

READ AND UNDERSTAND ALL INSTRUCTIONS INCLUDED WITH THIS REPAIR KIT
RELIEVE ALL PRESSURE FROM SYSTEM BEFORE REMOVING VALVE FOR SERVICE

VALVE BONNET DISASSEMBLY INSTRUCTIONS

1. Turn handwheel counterclockwise to fully open the valve.
2. Remove handwheel retaining nut and lock washer from shaft.
3. Remove handwheel from valve shaft and retain.
4. Remove the bonnet bolts (4) from the valve body and retain.
5. Remove valve information plate (not shown) and discard.
6. Remove bonnet assembly from the valve body and discard.
7. Remove bonnet gasket from valve body and discard.



VALVE BONNET REPLACEMENT INSTRUCTIONS

1. Install new bonnet gasket into valve body.
2. Install new bonnet assembly into valve body as shown and align with bolt holes in flange.
3. Install new information plate and bonnet bolts (4) as shown.
4. Tighten bonnet bolts with a minimum of 100 foot-pounds of torque.
5. Install retained handwheel, new lock washer and new retaining nut as shown and tighten.
6. Close the valve by turning the handwheel clockwise until the valve seats.
7. Connect the valve assembly inlet to a pressure source of at least 150 PSI.
Check for leaks (as evidenced by bubbles) at all joints and sealing surfaces by submersing the valve in water, (or by applying Marshall Excelsior "leak detector" solution to all joints).
8. **CAUTION: DO NOT USE THE VALVE IF ANY JOINT OR SEALING SURFACE CONTINUES TO LEAK UNDER PRESSURE.**

MARSHALL EXCELSIOR COMPANY

1506 George Brown Drive, Marshall, Michigan 49068

Phone (269) 789-6700 Fax (269) 781-8340

WARNING: Only qualified personnel must install, disassemble, repair and maintain Marshall Excelsior Company products. Read and understand all instructions before installation, operation and maintenance. Pass these instructions along to the end user of the product.

Installation, usage and maintenance of this product must comply with all Marshall Excelsior Company instructions as well as requirements and provisions of NFPA #54, NFPA #58, DOT, ANSI, all applicable federal, state, provincial and local standards, codes regulations and laws.

Relieve all pressure from system before removing filling connector, then release lever lock and lift lever to vertical (valve open) position. Remove entire valve from line before performing repairs.

CAUTION: Contact or inhalation of liquid propane, ammonia and their vapors can cause serious injury or death! To prevent exposure of NH₃ or LP-Gas to people and livestock, release these chemicals outdoors in air currents that will ensure dispersion. Keep LP-Gas far enough from any open flame or other source of ignition to prevent fire or explosion! LP-Gas is heavier than air and may not disperse or evaporate quickly if released in still air.

Disassembly and Repair Procedure

CAUTION: READ AND UNDERSTAND ALL INSTRUCTIONS, INCLUDING THE NOTICE AND WARNINGS ON THIS SHEET, PRIOR TO ANY DISASSEMBLY OR REPAIR.

NOTE: Perform repairs in a clean environment. To prevent contamination of component parts and valves, make sure hands, clothing, tools and work areas are clean of oil, grease and other foreign matter.

Thoroughly examine valve handle and all associated parts for excessive wear and proper function before making repairs. Check ACME threads for excessive wear and damage. Check for a smooth surface on the filling connector that seats on the filler valve gasket when the valve is used. Replace any components not in good condition and fully operational.

NOTICE

LP-Gas is extremely flammable and explosive. Failure to install parts exactly as described in the instructions could result in a poorly performing product. Even when parts are correctly installed, the product may perform poorly if other parts are worn, corroded or dirty. Improper repair can result in leaks and/or malfunctions, which could lead to bodily injury and property damage. **ONLY experienced and trained personnel using accepted governmental and industrial safety procedures must use or install repair parts.**

Most Marshall Excelsior Company products are listed with Underwriters Laboratories (UL) as manufactured. If repaired, the sustained relevance of the UL listing is subject to proper inspection and repair of the valve using Marshall Excelsior Company parts and procedures, as well as proper testing for leakage and performance.

Marshall Excelsior Company assumes no responsibility or liability for performance of products repaired in the field. The person or organization repairing the product assumes total responsibility for performance of the product.

LIMITED WARRANTY AND LIMITATION OF LIABILITY

Limited Warranty

Marshall Excelsior Company warrants its products and repair kits to be free from defects in materials and workmanship under normal use and service for twelve (12) months from the date of installation or eighteen (18) months from the date of shipment from the factory, whichever is earlier. If within thirty (30) days after buyer's discovery of what buyer believes is a defect, buyer notifies Marshall Excelsior Company thereof in writing, Marshall Excelsior Company, at its option, and within thirty (30) days, will repair, replace, or refund the purchase price of that part or product found by it to be defective. Failure of buyer to give such written notice shall be deemed an absolute and unconditional waiver of any and all claims of buyer arising out of such defect.

This warranty does not extend to any product or part that is not installed and used in accordance with Marshall Excelsior Company's printed instructions, all applicable state and local regulations and by national standards, such as those promoted by NFPA, DOT and ANSI. This warranty does not extend to any product or part that has been damaged by accident, misuse, abuse or neglect, nor does it extend to any product or which has been modified, altered, or repaired in the field.

Except as expressly set forth above, and subject to the Limitation of Liability below, Marshall Excelsior Company makes **NO OTHER WARRANTY, EXPRESSED OR IMPLIED, INCLUDING, BUT NOT LIMITED TO THE IMPLIED WARRANTIES OF MERCHANTABILITY AND FITNESS FOR A PARTICULAR PURPOSE**, with respect to its products and parts, whether used alone or in combination with others. Marshall Excelsior Company disclaims all warranties not stated herein.

Limitation of Liability

Marshall Excelsior Company's total liability for any and all losses and damages arising out of any cause whatsoever shall in no event exceed the purchase price of products or parts in respect of which such cause arises, whether such cause be based on theories of contract, negligence, strict liability, tort or otherwise.

Marshall Excelsior Company shall not be liable for incidental, consequential or punitive damages or other losses. Marshall Excelsior Company shall not be liable for, and buyer assumes liability for, all personal injury and property damage connected with the handling, transportation, possession, further manufacture, other use or resale of products, whether used alone or in combination with any other products or material.

If Marshall Excelsior Company furnishes technical advice to buyer, whether or not at buyer's request, with respect to application, further manufacture or other use of the products and parts, Marshall Excelsior Company shall not be liable for such technical advice and buyer assumes all risks of such advice and the results thereof.

NOTE: Some states do not allow the exclusion or limitation of incidental or consequential damages, so the above exclusion or limitation may not apply. This warranty gives you specific legal rights; you may have other rights that vary from state to state. The portions of this Limited Warranty and Limitation of Liability shall be considered severable and all portions that are not disallowed by applicable law shall remain in full force and effect.

WARNING

All Marshall Excelsior Company products are mechanical devices that will eventually become impaired due to wear, corrosion and aging of components made of materials such as neoprene, etc. The environment and conditions of use will determine the products' service lives. Periodic inspection and maintenance are imperative to avoid serious injury and property damage.

Many Marshall Excelsior Company products are incorporated by others on or in various products or systems used for storage, transport, transfer and otherwise for use of toxic, flammable and dangerous liquids and gases. Only experienced and trained personnel using accepted governmental and industrial safety procedures must handle such substances.

NOTICE TO USERS OF PRODUCTS

The Limited Warranty stated above is a factory warranty to the first purchasers of Marshall Excelsior Company products. Since most users purchase these products from Marshall Excelsior Company distributors, the user must notify the distributor from whom he purchased the product/parts regarding what they believe to be a defect in writing within thirty (30) days after such a discovery. The distributor may or may not, at the distributor's option, choose to submit the product/parts to Marshall Excelsior Company pursuant to its Limited Warranty. Failure by buyer to give such written notice within thirty (30) days shall be deemed an absolute and unconditional waiver of buyer's claim for such defects. Acceptance of any alleged defective product/parts by Marshall Excelsior Company's distributor for replacement or repairs under the terms of Marshall Excelsior Company's Limited Warranty in no way obligates Marshall Excelsior Company to the terms of the above warranty.

Due to Marshall Excelsior Company's practice of continuous product improvement, the company reserves the right to change designs, materials or specifications without advance notice.