

ME791/ME792 VALVE ASSEMBLY REPLACEMENT KIT

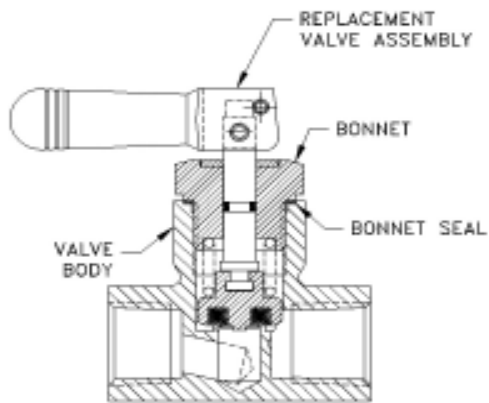
PART NUMBER: ME791K/ME792K

!!WARNING!!

Failure to follow these instructions or to properly install and maintain this equipment could result in an explosion and/or fire causing property damage and personal injury or death. **ONLY** personnel trained in the proper procedures, codes, standards and regulations of the LP-Gas industries should install or service this equipment.

INSTRUCTIONS:

- 1) Remove the old valve bonnet assembly by turning the hex portion of the bonnet counter-clockwise using a crescent wrench with the valve body secured in a vise.
- 2) Discard the old bonnet seal (located between the bonnet and body) and replace with the new bonnet seal.
- 3) Apply a thread locking compound (such as Loctite #271) to the threads of the new bonnet, and install the new valve assembly into the body using a minimum of 100 foot-pounds of torque.
- 4) Connect the valve inlet to a pressure source of at least 150 PSI, check for leaks (as evidenced by bubbles) at all joints and sealing surfaces by submersing the unit in water (or by applying Marshall Excelsior "Leak Detector" to all joints). If a leak is observed; re-tighten the valve and re-test.
- 5) CAUTION - DO NOT use the valve if a joint or sealing surface continues to leak under pressure.



FOR TECHNICAL ASSISTANCE, CALL 269-789-6700
MARSHALL EXCELSIOR CO.
1506 GEORGE BROWN DRIVE
MARSHALL, MI 49068
PHONE (269) 789-6700 FAX (269) 781-8340

The contents of this publication are for informational purposes only. While every effort has been made to ensure accuracy, these contents are not to be construed as warranties or guarantees, expressed or implied, regarding the products or services described herein or for their use or applicability. Marshall Excelsior Co. reserves the right to modify or improve the designs or specifications of such products at any time without notice. The MEC_™ logo is the trademark of Marshall Excelsior Co.

Instruction #411 Rev-A

ME791/ME792 VALVE ASSEMBLY REPLACEMENT KIT

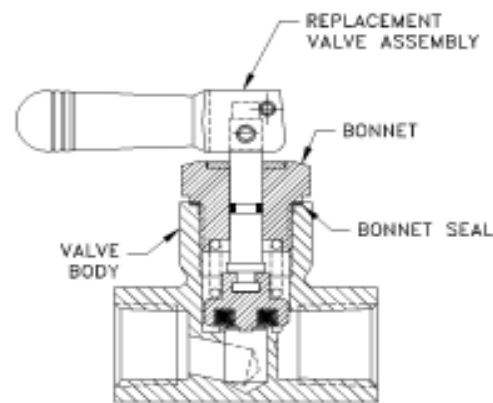
PART NUMBER: ME791K/ME792K

!!WARNING!!

Failure to follow these instructions or to properly install and maintain this equipment could result in an explosion and/or fire causing property damage and personal injury or death. **ONLY** personnel trained in the proper procedures, codes, standards and regulations of the LP-Gas industries should install or service this equipment.

INSTRUCTIONS:

- 1) Remove the old valve bonnet assembly by turning the hex portion of the bonnet counter-clockwise using a crescent wrench with the valve body secured in a vise.
- 2) Discard the old bonnet seal (located between the bonnet and body) and replace with the new bonnet seal.
- 3) Apply a thread locking compound (such as Loctite #271) to the threads of the new bonnet, and install the new valve assembly into the body using a minimum of 100 foot-pounds of torque.
- 4) Connect the valve inlet to a pressure source of at least 150 PSI, check for leaks (as evidenced by bubbles) at all joints and sealing surfaces by submersing the unit in water (or by applying Marshall Excelsior "Leak Detector" to all joints). If a leak is observed; re-tighten the valve and re-test.
- 5) CAUTION - DO NOT use the valve if a joint or sealing surface continues to leak under pressure.



FOR TECHNICAL ASSISTANCE, CALL 269-789-6700
MARSHALL EXCELSIOR CO.
1506 GEORGE BROWN DRIVE
MARSHALL, MI 49068
PHONE (269) 789-6700 FAX (269) 781-8340

The contents of this publication are for informational purposes only. While every effort has been made to ensure accuracy, these contents are not to be construed as warranties or guarantees, expressed or implied, regarding the products or services described herein or for their use or applicability. Marshall Excelsior Co. reserves the right to modify or improve the designs or specifications of such products at any time without notice. The MEC_™ logo is the trademark of Marshall Excelsior Co.

Instruction #411 Rev-A