

# BLACKMER PARTS LIST

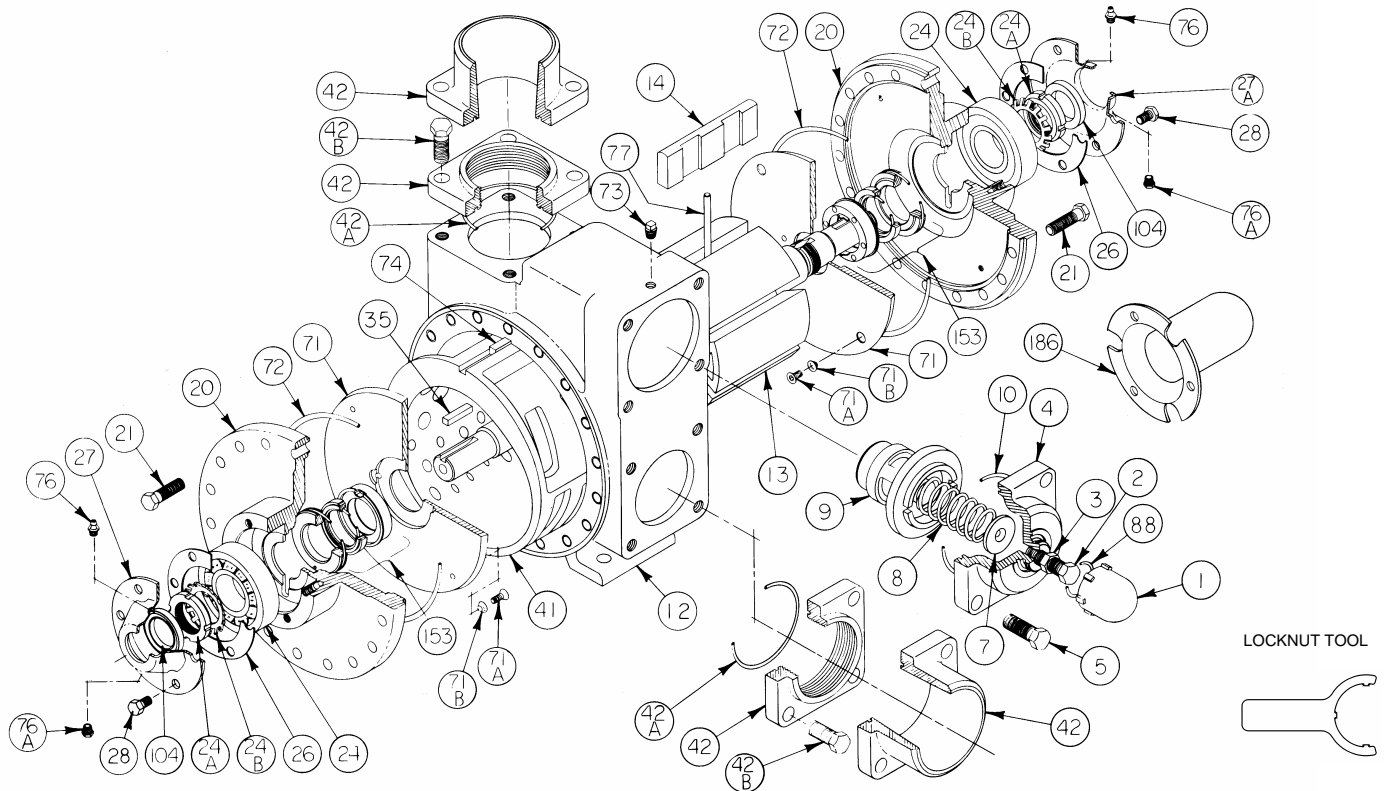
962007 **PARTS LIST**  
Page 1 of 2 **501-E01\_08Mar**

## PUMP MODELS: LGLD4A, LGL4A, LGL4, LGLD4

See Instructions 501-E00\_Oct07 for Installation, Operation and Maintenance

Apr 2008: Discontinued Models, Parts Availability may be limited.

Section 501  
Effective Mar 2008  
Replaces May 2003



Ref. No.	Description	Parts Per Pump	Part No.	Ref. No.	Description	Parts Per Pump	Part No.
1	Cap - Relief Valve (R/V)	1	413952	41	Liner	1	<sup>2</sup> 182000
2	Adjusting Screw - R/V	1	NOTE 3	42	Flange - 3" NPT	1 - 2	652012
3	Locknut - Adjusting Screw	1	NOTE 3		Flange - 3" Weld		652007
4	Cover - R/V	1	412001		Flange - 4" Weld		652005
5	Capscrew - R/V Cover	4	920663	42A	O-Ring - NPT, Weld Flange	2	<sup>1</sup> 701937
7	Spring Guide - R/V	1	426355	42B	Capscrew - NPT Flange	8	920663
8	Spring - R/V	1	NOTE 3		Capscrew - Weld Flange		920640
9	Valve - R/V	1	452001	71	Disc	2	<sup>1</sup> 062039
10	O-Ring - R/V Cover	1	<sup>1</sup> 701946	71A	Machine Screw - Disc	8	<sup>2</sup> 920015
12	Casing	1	NOTE 3	71B*	Lockwasher - Machine Screw	8	<sup>2</sup> 909634
13	Rotor & Shaft Assy, Dbl. End - LGLD4(A)	1	<sup>2,5</sup> 262041	72	O-Ring - Head	2	<sup>1</sup> 702039
	Rotor & Shaft Assy, Sgl. End - LGL4(A)		262023	73	Gage Plug	2	908198
	(Both Include Ref. No. 24A & 24B)			74	Key - Liner	1	<sup>2</sup> 182040
14	Vane - Duravane (Std.)	6	<sup>1</sup> 092019	76	Grease Fitting	2	317815
20	Head	2	<sup>5</sup> 032041	76A	Grease Relief Fitting	2	701992
21	Capscrews - Head	28-36	920532	77	Push Rod set - includes 3 composite & 3 metal pushrods	1	<sup>1,5</sup> 122010
24	Ball Bearing	2	<sup>1</sup> 903172	88	O-Ring - R/V Cap	1	<sup>1</sup> 701926
24A	Locknut - Bearing	2	<sup>2</sup> 903541	104	Grease Seal - LGLD4(A)	2	<sup>1</sup> 331908
24B	Lockwasher - Bearing	2	<sup>1</sup> 903542		Grease Seal - LGL4(A)	1	
26	Gasket - Bearing Cover	2	<sup>1</sup> 385125	186	Shaft Protector - LGLD4(A) Only	1	341801
27	Bearing Cover - LGLD4(A)	2	041815		Tool - Locknut		903092
	Bearing Cover - Inboard, LGL4(A)	1			Kit - Maintenance		<sup>5</sup> 898922
27A	Bearing Cover - Outboard, LGL4(A)	1	041817		Kit - Rebuild - LGLD4(A) only		<sup>5</sup> 899022
28	Capscrews - Bearing Cover	12	920286				
35	Key - Shaft	1	<sup>1</sup> 909183				

<sup>1</sup> Included in Maintenance Kit and Rebuild Kit

<sup>2</sup> Included in Rebuild Kit only

Note 3 - See Table on other side for proper parts.

<sup>5</sup> See Note 5 on other side Keep this parts list with Installation, Operation & Maintenance Instructions.

## MECHANICAL SEAL - STANDARD

Ref. No.	Part Name	Parts Per Pump	Part No.
153	Mechanical Seal Assembly	2	<sup>1</sup> 332050
153A	Stationary Seat (Hardened Steel)	2	**
153B	Seal Face (Carbon)	2	**
153C	Jacket Assembly	2	**
153D	O-Ring - Stationary (Buna-N)	2	701934
153E	O-Ring - Rotating (Buna-N)	2	711912

<sup>1</sup> Included in Maintenance Kit and Rebuild Kit

\*\* NOTE: Mechanical Seal Ref. No. 153 is only sold as a complete assembly. Ref. Nos. 153A, 153B & 153C are not available as separate replacement parts.

### Note 5 Some replacement parts will differ from those originally supplied:

Dbl. Ended rotor/shaft (13): new 262041 rotor/shaft with 122009 composite pushrods.

New 232041 R/S may be used in older pumps IF 122009 composite pushrods are also installed.

Pushrods: Pushrod set PN 122010 includes both composite & metal styles for use regardless of the rotor/shaft installed.

122009 composite pushrods (3/8" dia.) must be used with the new 262041 double ended shaft

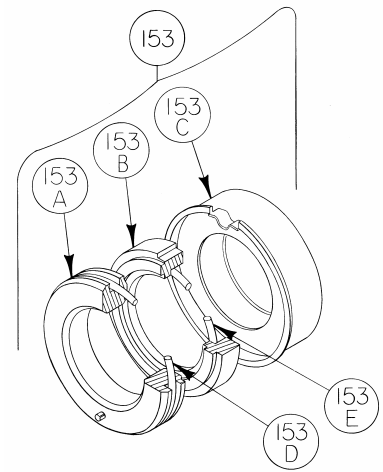
122005 metal pushrods (1/4" dia.) must be used with the original double ended rotor/shaft and all single ended shafts.

Maintenance Kits include both composite and metal pushrods allowing them to be used in all pumps.

Rebuild Kits include the new 262041 R/S and 122009 composite pushrods and may be used all Dbl. Ended pumps.

Heads (20): new 032041 heads use 14 capscrews instead of 18.

New 032041 heads may be used on existing pumps, although only 14 capscrews will be used.

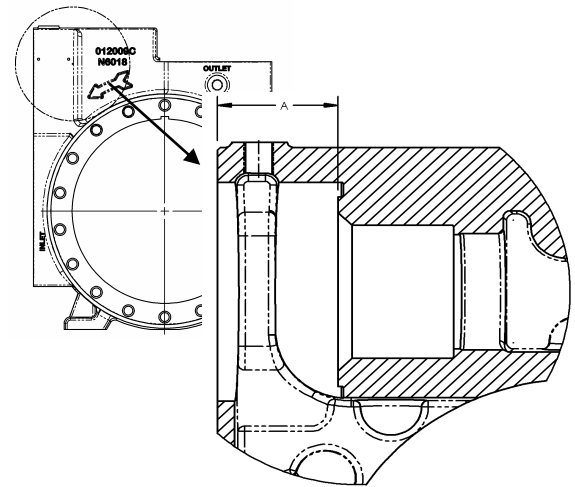


Use Dimension 'A' as shown in the drawing to determine the pump model number. The pump model number will also be shown on the nameplate.

Model	Dim 'A'	
LGLD4A, LGL4A	2.19 in.	5.56 cm.
LGLD4, LGL4	1.75 in.	4.45 cm.

Use the table below to determine the proper parts for each model.

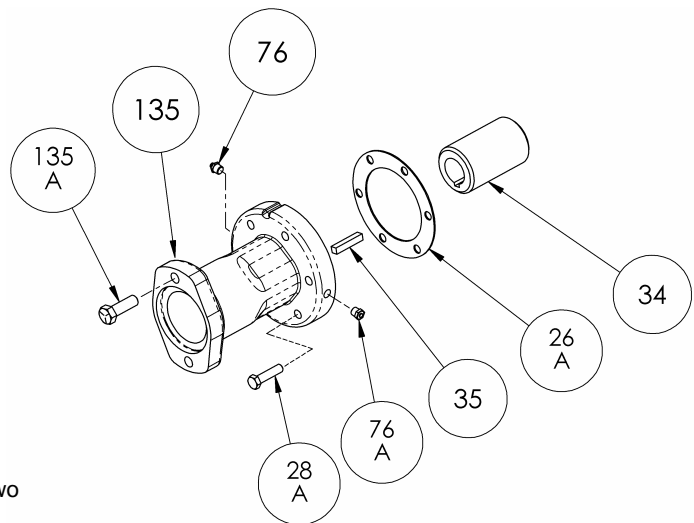
Ref. No	Part Name	Parts Per Pump	LGLD4A, LGL4A	Discontinued LGLD4, LGL4
			Part No.	Part No.
2	Adjusting Screw - R/V	1	436310	436307
3	Locknut - Adjusting Screw	1	432039	436355
8	Spring - R/V	1	472039	476305
12	Casing	1	012009	012000



## HYDRAULIC MOTOR ADAPTER PARTS

REF. NO.	PART NAME	PARTS PER PUMP	PART NO.
See Below	<b>Hydraulic Motor Adapter Kit</b> *	See Below	892037
26A	Gasket – Hydraulic Motor Adapter	1	381817
28A	Capscrew – Hydraulic Motor Adapter / Head	6	920369
34	Coupling w/ Setscrew – 1.25" straight key hyd. motor shaft	1	906970
35	Key – Coupling	1	909184
76	Grease Fitting	1	317815
76A	Grease Relief Fitting	1	701992
135	Hydraulic Motor Adapter – SAE A Flange	1	041829
135A	Capscrew – Adapter / Motor	2	920510

\* Hydraulic Motor Adapter Kits shipped prior to Spring 2002 were a two piece design – refer to page 206-C00.



1809 Century Avenue, Grand Rapids, Michigan 49503-1530, U.S.A.  
 Telephone: (616) 241-1611 / Fax: (616) 241-3752  
 E-Mail: blackmer@blackmer.com / Internet: www.blackmer.com

Parts List 501-E01  
 Page 2 of 2