

BLACKMER PARTS LIST

PUMP MODELS: LGF1E, LGB1E, LGF1PE, LGB1PE

Keep with 501-A00 Installation, Operation and Maintenance.

960401

Page 1 of 2

PARTS LIST

501-A01

Section

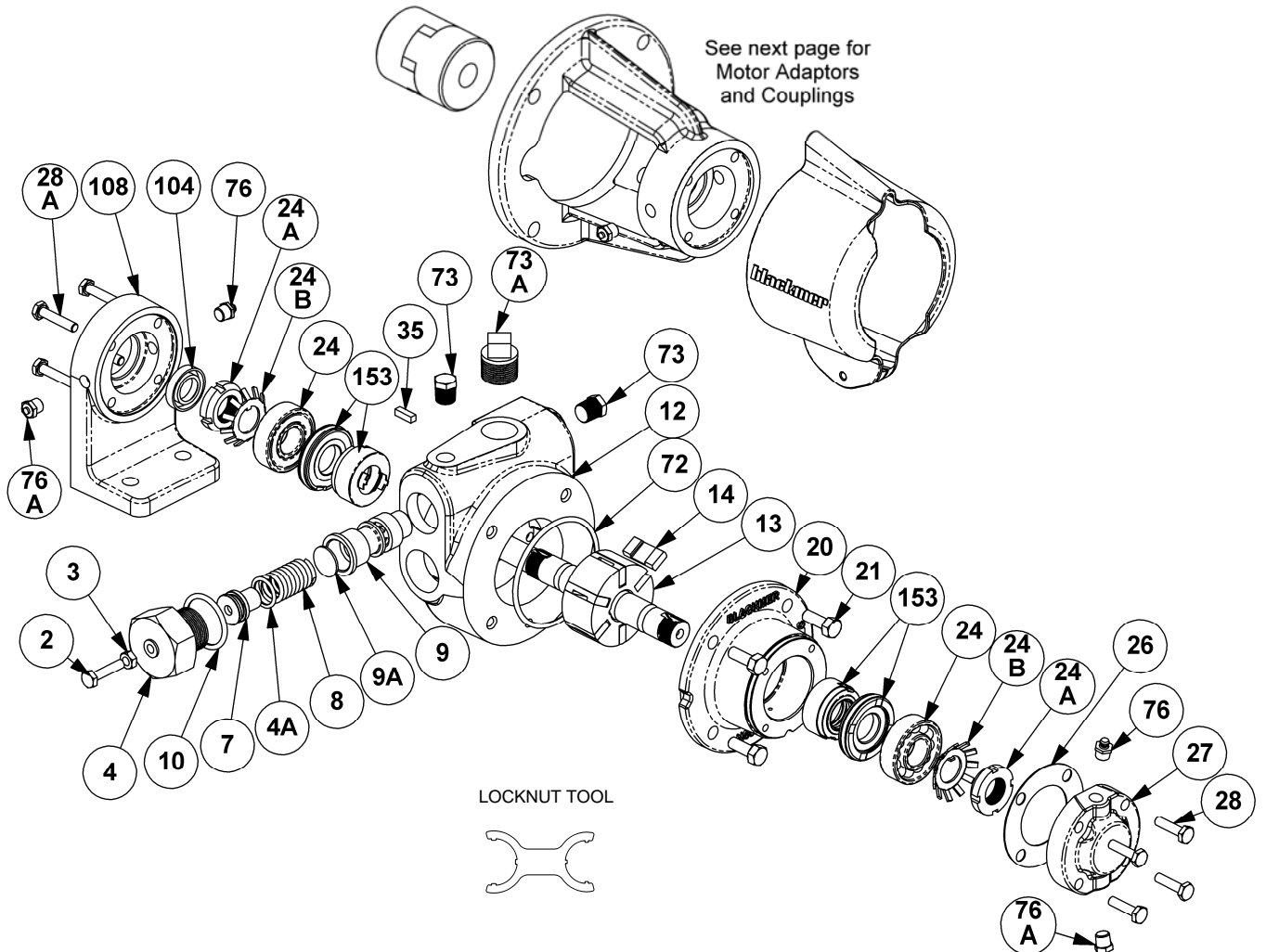
501

Effective

Jun 2014

Replaces

Apr 2014



Ref. No.	Description	Parts per Pump	Part No.	Ref. No.	Description	Parts per Pump	Part No.
2	Adjusting Screw – Relief Valve (R/V)	1	² 432901	24A	Locknut – Bearing	2	903531
3	Locknut – Adjusting Screw	1	² 922811	24B	Lockwasher – Bearing	2	¹ 903532
4	Cover – R/V	1	412901	26	Gasket – Bearing Cover	1	¹ 383075
4A	O-Ring – Spring Guide	1	^{1,2} 711940	27	Bearing Cover	1	043071
7	Spring Guide – R/V	1	² 422901	28	Capscrews – Bearing Cover	4	920080
8	Spring – R/V	1	² 472901	28A	Bracket Mounting Screws	4	920090
9	Valve – R/V	1	² 452901	35	Key – Shaft, Square	1	^{1,4} 909152
9A	Disc – R/V	1	² 442901	72	O-Ring – Head	1	¹ 711941
10	O-Ring – R/V Cover	1	^{1,2} 701965	73	Gage Plug (1/4")	2	908198
12	Cylinder – LGF1, LGB1	1	022914	73A	Gage Plug (3/4")	1	908225
	Cylinder – LGF1P, LGB1P	1	022915	76	Grease Fitting	2	317815
13	Rotor & Shaft Assembly, Six Vane (Includes Ref. Nos. 24A & 24B)	1	262907	76A	Grease Relief Fitting	2	701992
14	Vane – Duravane	6	^{1,3} 092913	104	Grease Seal	1	¹ 331934
20	Head	1	032905	108	Mounting Foot - LGB1(P)E	1	832913
21	Capscrews – Head	4	920178		Tool - Locknut		903090
24	Ball Bearing	2	¹ 903405		Kit – RV Maintenance		899094
					Kit – Maintenance (6-Vane)		898994

¹ Included in Maintenance Kit.

² Included in RV Kit

³ Install the vanes with the slot facing the direction of rotation.

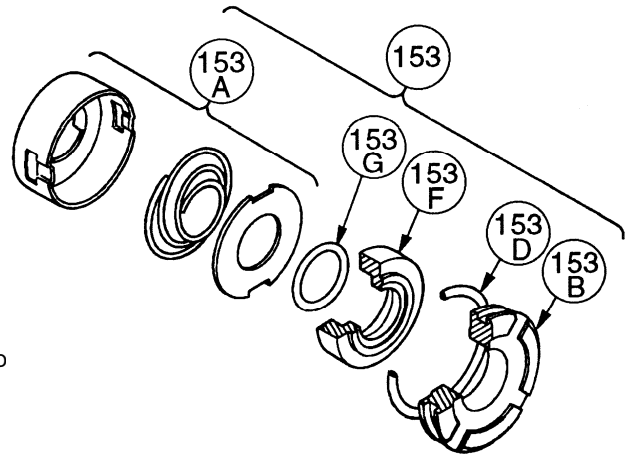
⁴ Maintenance Kit also includes Woodruff Key 909126 used previously

MECHANICAL SEAL

Ref. No.	Part Name	Parts Per Pump	Part No.
153	Mechanical Seal Assembly	2	¹ 332920
153A**	Jacket Assembly – Seal	2	**
153B**	Stationary Seat (Steel)	2	**
153D	O-Ring – Stationary Seat (Buna-N)	2	711916
153F**	Seal Face (Carbon)	2	**
153G	O-ring – Rotating (Buna-N)	2	711939

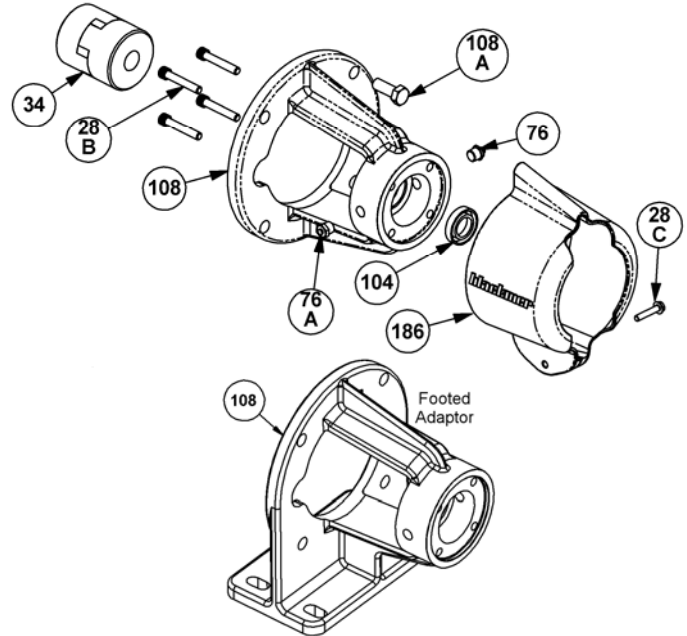
¹ Included in Maintenance Kit

** Ref. Nos. 153A, 153B & 153F are not available as separate repair p



NEMA C-Faced Motor Adaptors – LGF Models

Ref. No.	Part Name	Parts Per Pump	Part No.
28B**	Motor Adaptor Mounting Screws	4	920101
28C	Guard Screw	1	920026
34	Coupling Half – Pump	1	906150
	Coupling Half – Motor 56C		906151
	Coupling Half – Motor 143/145TC,184C		906147
	Coupling Spider		906155
108	Motor Adaptor – Unfooted	1	832912
	Motor Adaptor- Footed		833000
108A	Capscrew – Motor Adaptor	4	920331
186	Guard	1	804120



IEC Motor Adaptors – LGF Models

Ref. No.	Description	Parts per Pump	Part No.
28B	Motor Adaptor Mounting Screws	4	920101
28C	Guard Screw	2	920026
34	Coupling Half – Pump	1	906183
	Coupling Spider		906176
	Coupling Half – Motor (IEC 90)		906186
76	Grease Fitting	1	317815
76A	Grease Relief Fitting	1	701992
76B	Extension Coupling	2	701905
104	Grease Seal	1	331934
108A	Capscrew – Motor Adaptor to Motor	4	920043
108C	Motor Adaptor (IEC90 B14A) Includes Ref. Nos. 76, 76A & 76B	1	832920
108D	Washer	4	792094
186C	Guard Half	2	804196

