

KEEP THIS DOCUMENT WITH THE PRODUCT UNTIL IT REACHES THE END USER.

WARNING

Use proper safety equipment at all times.

Before installation or removal of any valve, the system must be purged completely of all product. To prevent the accidental opening of any valve, never grasp or carry a valve by its handwheel or handle.

This equipment must be installed, operated and maintained in accordance with federal, state and local codes, and manufacturer's instructions. For LP-Gas service, follow NFPA 58 Standard for the storage and Handling of Liquefied Petroleum Gases, plus all Local and State Safety Regulations. Only personnel trained in the proper procedures, codes, standards and regulations should install, inspect repair and/or replace this equipment. Failure to follow these instructions or to properly install and maintain this equipment could result in property damage and/or personal injury or death.

To ensure long term safe operation, the manufacturer recommends that under normal service conditions, this product should be inspected at least once every five (5) years and be repaired or replaced as required.

CAUTION: Contact with or inhalation of Liquefied Petroleum Gas or its vapors can cause serious injury or death. Dispersment must be in accordance with local regulations. For the proper handling and storage of Liquefied Petroleum Gas, refer to NFPA Pamphlet 58.

TOOLS REQUIRED: Safety Equipment (i.e. Gloves, Goggles, and Clothing), Bench-Mounted Vice, 18" Pipe Wrench, 12" Adjustable Wrench, 9/16" Open-End or Boxed-End Wrench, and 5/32" Hex Socket (Allen) Wrench

Removal of Valve for Repair or Replacement

- Step 1: Safety equipment (i.e. gloves, goggles, and clothing) must be worn before proceeding to the next step.
- Step 2: Before removing the L426B from service, place the valve in the **HALF OPEN POSITION** to ensure all pressure is bled from the system. See WARNING at the top of this page.
- Step 3: Before removing the L426K from service, bleed all pressure from Bobtail piping until the Check Disc can be pushed inward by hand.

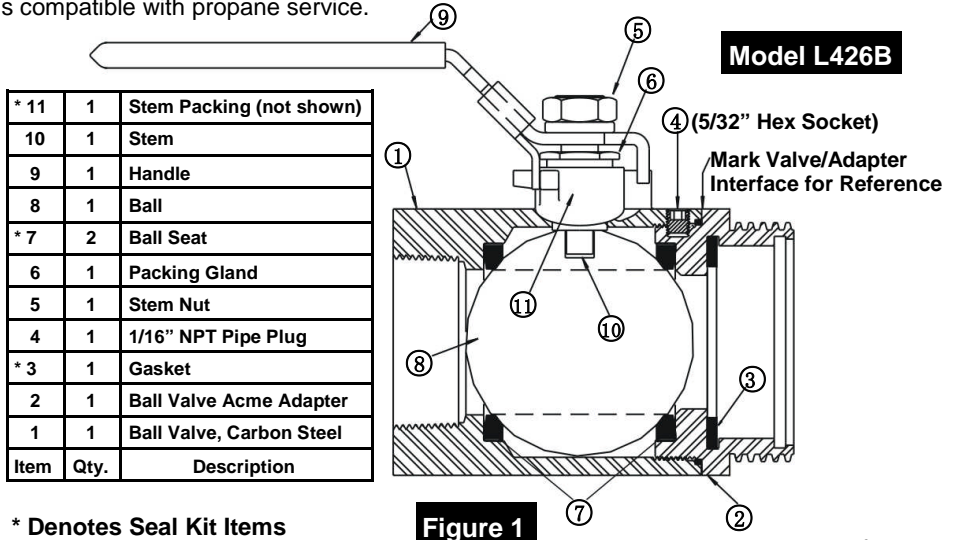
Procedure for Disassembly of the L426B for Repair and/or Seal Replacement (Refer to Figure 1 for Item Numbers)

- Step 1: Place the Ball Valve in a bench-mounted vice and tighten securely. Mark the 'Ball Valve/Adapter Interface' before removing the Pipe Plug ④. Remove the 1/16" NPT Pipe Plug, using the 5/32" Allen Wrench.
- Step 2: Place the 18" Pipe Wrench on the Adapter Flange ② and turn counter-clockwise to remove.
- Step 3: Remove the Gasket ③ and the Ball Seat ⑦ from the Flange ②.
- Step 4: Place the Ball Valve in the CLOSED position and remove the Ball from the Body ①.
- Step 5: Remove the second Ball Seat ⑦ from the Body ①.
- Step 6: Remove the Stem Nut ⑤ from the Ball Valve Stem ⑩. Remove the Locking Handle ⑨ and then, using the 12" Adjustable Wrench, remove the Packing Gland ⑥.
- Step 7: Remove the Stem Packing from inside the Packing Gland ⑥, and then remove the Stem ⑩ through the inside bore of the Body. **Note:** Clean all parts thoroughly with a suitable cleaner which is compatible with propane service. Lightly lubricate all seals with a silicone based lubricant or any grease which is compatible with propane service.

Re-assembly of the L426B should be performed in the reverse order as outlined above.

Note: When installing the Adapter Flange ② to the Body, use the mark made in Step 1 (above) to align them to the exact location as the original assembly. This **MUST** be done in order to allow the 1/16" Pipe Plug ④ to be installed properly. **DO NOT LEAVE THE PIPE PLUG OUT OF THE ASSEMBLY.**

The Valve is now ready for a Pressure Test and an OPEN and CLOSE Functional Test.



Procedure for Disassembly of the L426K for Repair and/or Seal Replacement (Refer to Figure 2 for Item Numbers)

- Step 1: Secure the unit in a bench-mounted vise, gripping the Cylinder Body ② in the vise, but being careful to not crush the cylinder by over tightening.
- Step 2: Mark the valve at the 'Cylinder/Outlet Adapter Interface' before removing Hydrostat ③. Remove the Hydrostat using a 9/16 wrench.
- Step 3: Place the 18" pipe wrench on the Outlet Adapter ① hex flats and turn counter-clockwise to remove.
- Step 4: Remove the Spring ⑦ over the Guide Rod ⑥.
- Step 5: Remove the Guide Rod ⑥, Piston Guide ⑤, and Check Disc ④ as a sub-assembly from inside the Cylinder Body ②
- Step 6: Remove the Check Disc O-Ring ⑧ and Cylinder O-Ring ⑨.

Note: Only the rear Cylinder O-Ring ⑨ can be removed from the Cylinder Body in the field. They are both static o-ring seals and will rarely leak under normal operating conditions. To remove the front cylinder o-ring requires drilling out the roll pin at the front of the cylinder, and then later re-drilling another hole at a new location. If the front cylinder seal leaks, return the entire valve to the factory for repair.

Note: Clean all parts thoroughly with a suitable cleaner compatible with propane service. Lightly lubricate all seals with a silicone based lubricant or any grease compatible with propane service.

Re-assembly of the L426K should be performed in the reverse order as outlined above.

Note: When installing the Outlet Adapter ① to the Cylinder, use the mark made in Step 1 (above) to align them to the exact location as the original assembly. This **MUST** be done in order to allow the Hydrostat ③ to be installed properly.

The valve is now ready for a Pressure Test.

CAUTION: The Hydrostat has a pressure setting of 440 psig. Use a test pressure less than 400 psi.

| Item | Qty. | Description |
|------|------|-------------------|
| * 9 | 1 | Cylinder O-Ring |
| * 8 | 1 | Check Disc O-Ring |
| 7 | 2 | Spring |
| 6 | 1 | Guide Rod |
| 5 | 1 | Piston Guide |
| 4 | 1 | Check Disc |
| 3 | 1 | Hydrostat |
| 2 | 1 | Cylinder |
| 1 | 1 | Outlet Adapter |

* Denotes Seal Kit Items

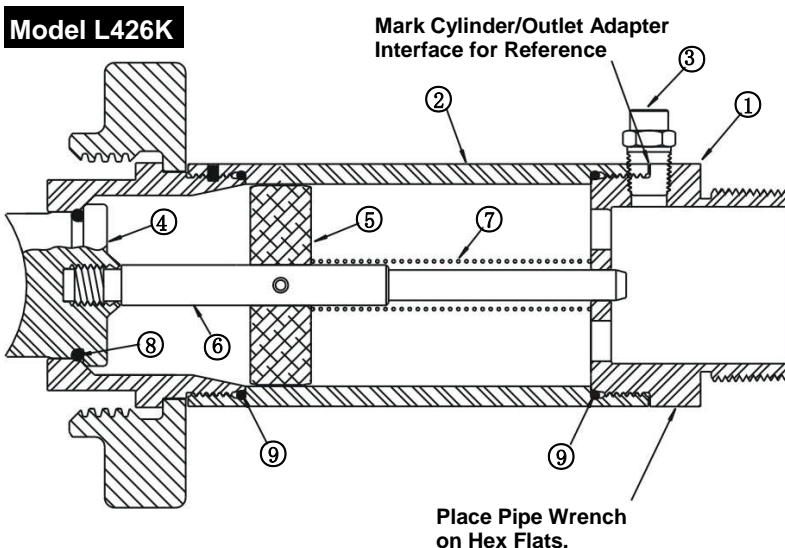


Figure 2

Available Seal Kits

FOR MODEL L426B

| 426B-0022 Seal Kit for L426B | | |
|---------------------------------|------|--------------|
| Item | Qty. | Description |
| 11 | 1 | Stem Packing |
| 7 | 1 | Ball Seat |
| 3 | 1 | Gasket |

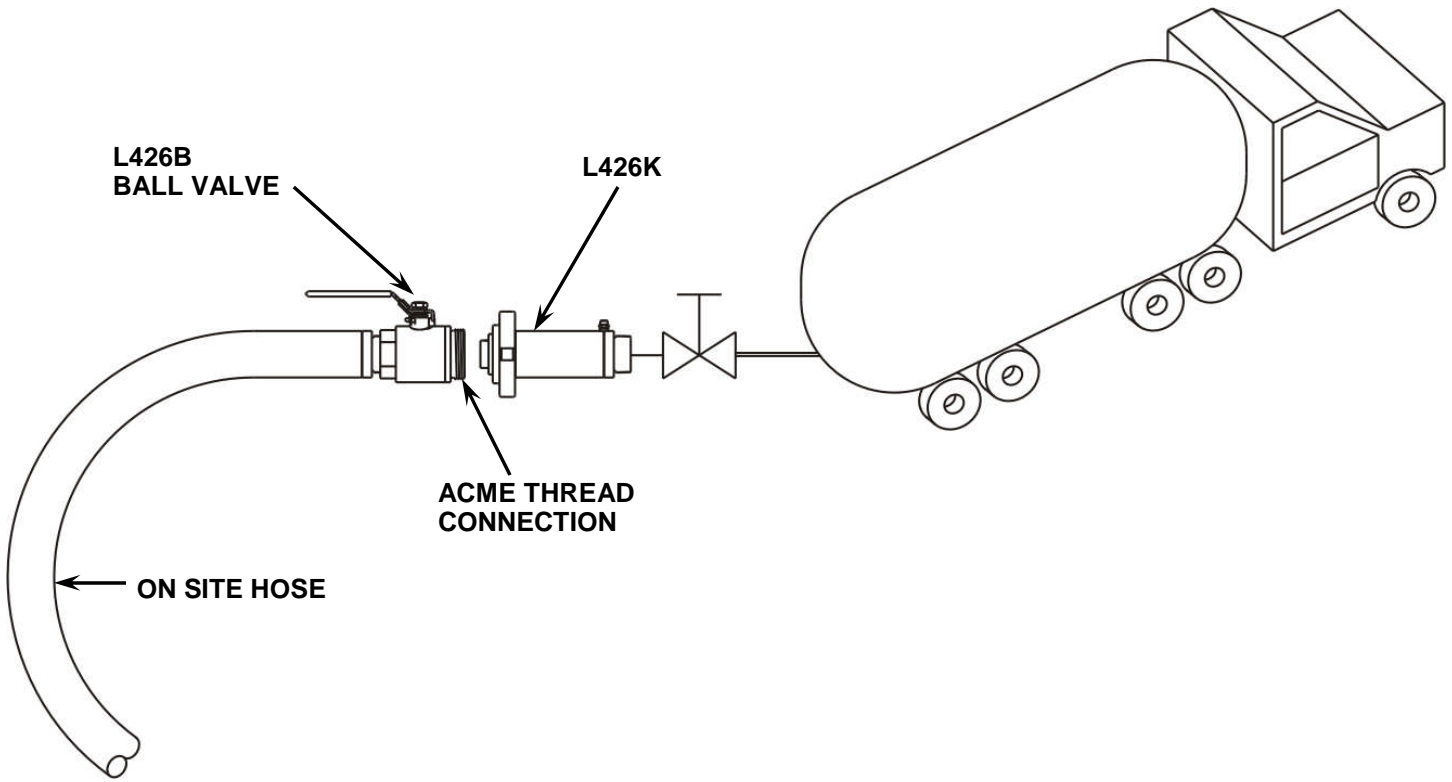
| 426B-0023 Conversion Kit | | |
|-----------------------------|------|-------------------|
| Item | Qty. | Description |
| 426-5005 | 1 | Conversion Spacer |
| 3 | 1 | Gasket |

FOR MODEL L426K

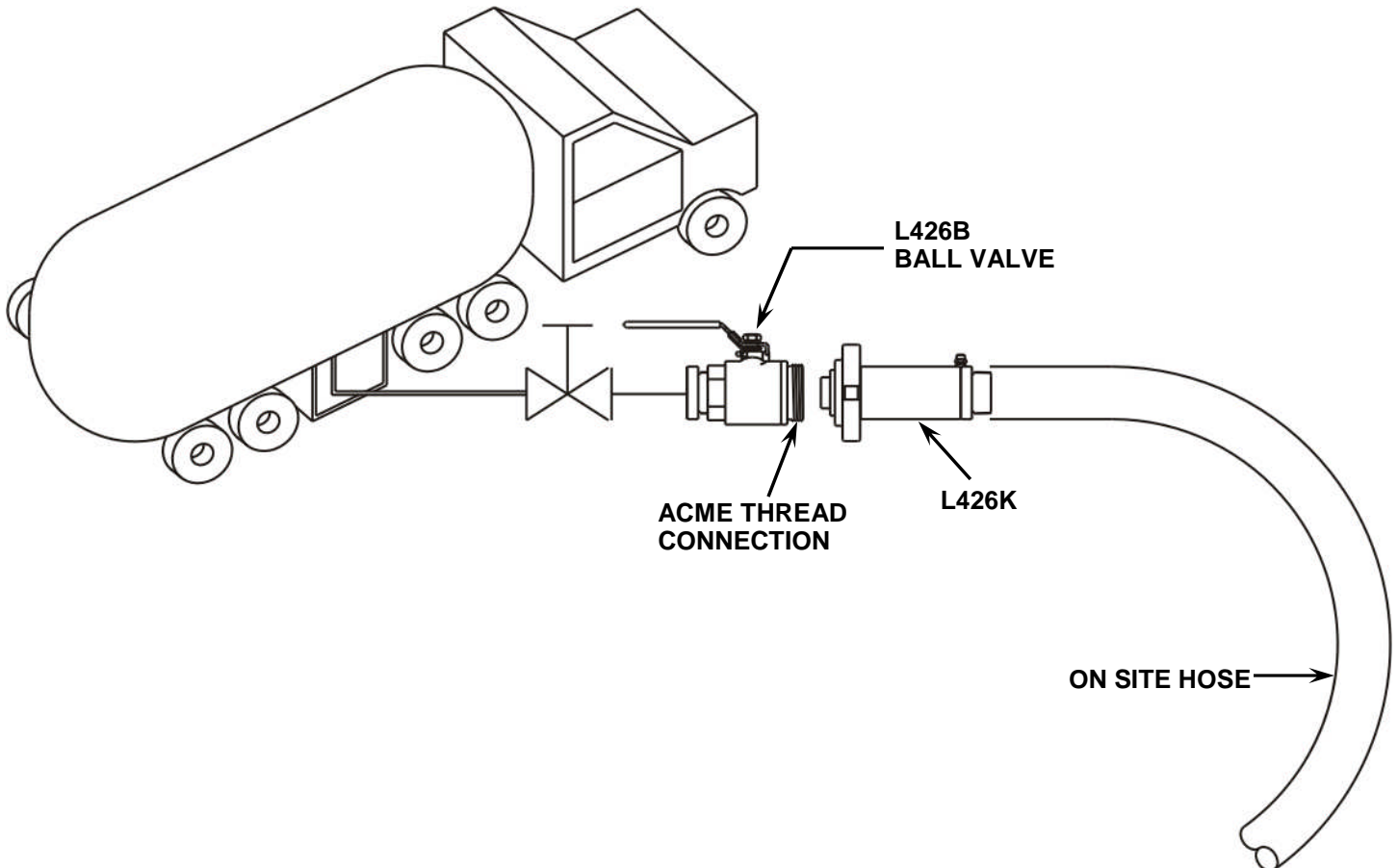
| 426K-0022 Seal Kit for L426K | | |
|---------------------------------|------|-------------------|
| Item | Qty. | Description |
| 9 | 1 | Cylinder O-Ring |
| 8 | 1 | Check Disc O-Ring |

TYPICAL INSTALLATION SCHEMES FOR BOBTAIL AND TRANSPORT LOADING AND UNLOADING

TRANSPORT LOADING



TRANSPORT UNLOADING



BOBTAIL LOADING

