

Next Generation 2" Globe & Angle Valves

ME829 Knob
(Not Included)

ME825-16



Purpose:

Provides a positive shut-off valve that is highly reliable with full flow performance while permitting bi-directional flow and/or reduced product emissions.

- All of the same great features of the original full flow MEC Globe and Angle valves with additional product performance enhancements.

~ **Pilot Feature: (P)** These globe and angle valve models incorporate a pilot orifice feature to facilitate pressure equalization in sections of system piping that have bidirectional flow. This greatly reduces the opening torque required and prevents premature wear of the valve seat.

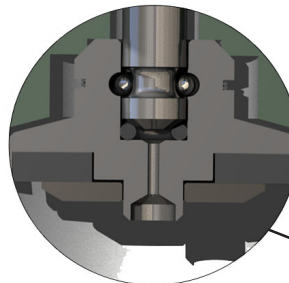
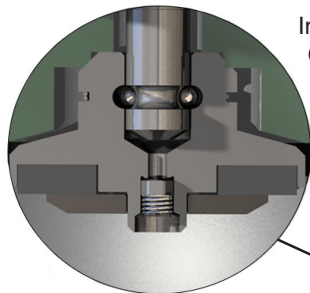
~ **Integrated Back Check Feature: (IBC)** These globe and angle valve models incorporate an integrated backcheck feature to allow trapped downstream pressure to automatically bypass to the upstream side of the valve. These valves are designed for systems with flow in one direction, creating a closed loop system that prevents the product from relieving to the atmosphere making for a low emission, more environmentally friendly option.

ME829 Knob
(Not Included)

ME829 Knob
(Not Included)

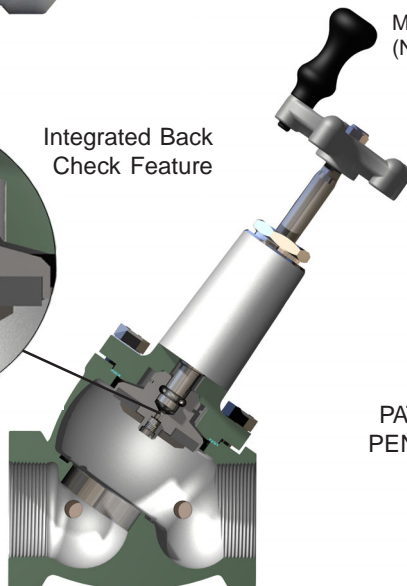
Integrated Back
Check Feature

Pilot Feature

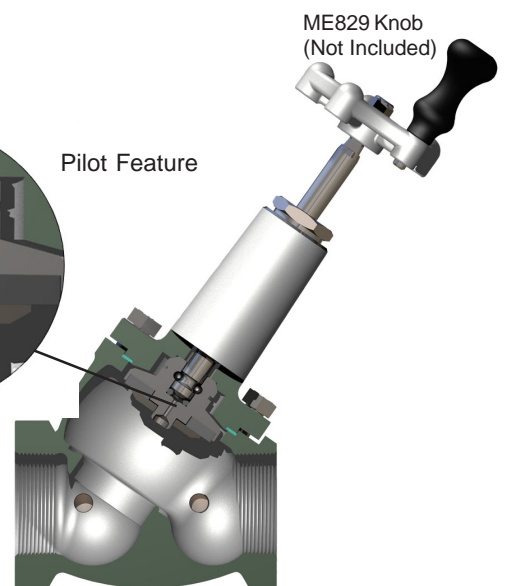


PATENT
PENDING

ME825IBC-16



ME825P-16



Next Generation Globe and Angle Valves						
Angle No.	Globe No.	Description	Side Ports	Inlet	Outlet	
ME815P-16	ME825P-16	Full Flow Valve with Integrated Pilot Feature	1/4" FNPT	2" FNPT	2" FNPT	
-	ME828P-16	Full Flow Valve with Integrated Pilot Feature	1/4" FNPT	2" FNPT	3-1/4" M. ACME	
-	ME824P-16	Full Flow Valve with Integrated Pilot Feature	1/2" FNPT	2" FNPT	2" FNPT	
ME815IBC-16	ME825IBC-16	Full Flow Valve with Integrated Back Check	1/4" FNPT	2" FNPT	2" FNPT	
-	ME828IBC-16	Full Flow Valve with Integrated Back Check	1/4" FNPT	2" FNPT	3-1/4" M. ACME	
-	ME824IBC-16	Full Flow Valve with Integrated Back Check	1/2" FNPT	2" FNPT	2" FNPT	
Replacement Parts						
Part No.	Description					
ME815P-16BRK	2" Angle & Globe Valve with Pilot - Complete Bonnet Assembly					
ME815P-16SRK	2" Angle & Globe Valve with Pilot - Seal Replacement Kit					
ME815IBC-16BRK	2" Angle & Globe Valve with Integrated Back Check -Complete Bonnet Assembly					
ME815IBC-16SRK	2" Angle & Globe Valve with Integrated Back Check - Seal Replacement Kit					
ME815-10/16HRK	1-1/4", 1-1/2" & 2" Angle & Globe Valve Replacement Handle & Retaining Nut					