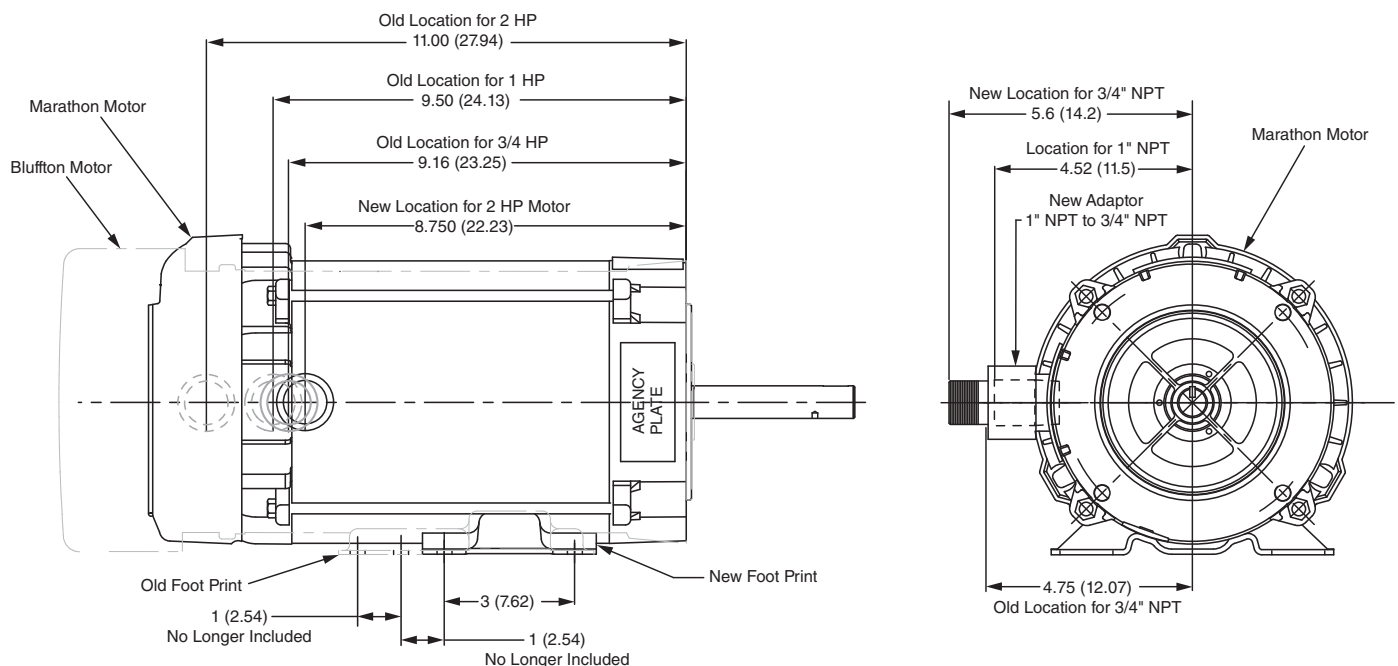


Electric Motor Change

Sales Bulletin
No. 251
February 2015

Effective immediately, the 1 HP Bluffton motor currently used on Coro-Flo regenerative turbine pump models C10, C12, C13, CF10, CF12, and CF13 is being replaced with a 2 HP Marathon motor. The new motor configurations are 2 HP (standard) and 3 HP (optional). The dimensions for the new 2 HP Marathon motor are slightly different than the previously used 1 and 2 HP Bluffton motors so the conduit location and foot print will change. The illustration below is a dimensional comparison between the previously used Bluffton motors (3/4, 1, and 2 HP) and the new 2 HP Marathon motor. If you are replacing one of the models mentioned above or installing a new one, please review the new dimensions carefully before mounting the 2 HP Marathon motor or installing the electrical piping.

Please note: The S-30 and SM-30 switch assemblies for the 2 HP motor do not include thermal override protection.



Benefits:

- Since the amperage for the new 2 HP Marathon motor is nearly identical to the 1 HP Bluffton motor at the same differential pressure, the wire size for the electrical connection may not change.
- Capable of higher differential pressures without overloading the motor.
- The new 2 HP Marathon motor comes standard.
- The reduction in motor configurations simplifies inventory requirements.

Solutions beyond products...
CORKEN
IDEX

CORKEN, INC. • A Unit of IDEX Corporation
3805 N.W. 36th St., Oklahoma City, OK 73112 U.S.A.
Phone (405) 946-5576 • FAX (405) 948-7343
Visit our website at www.corken.com
E-mail us at co-salesdept@idexcorp.com



@CorkenInc

