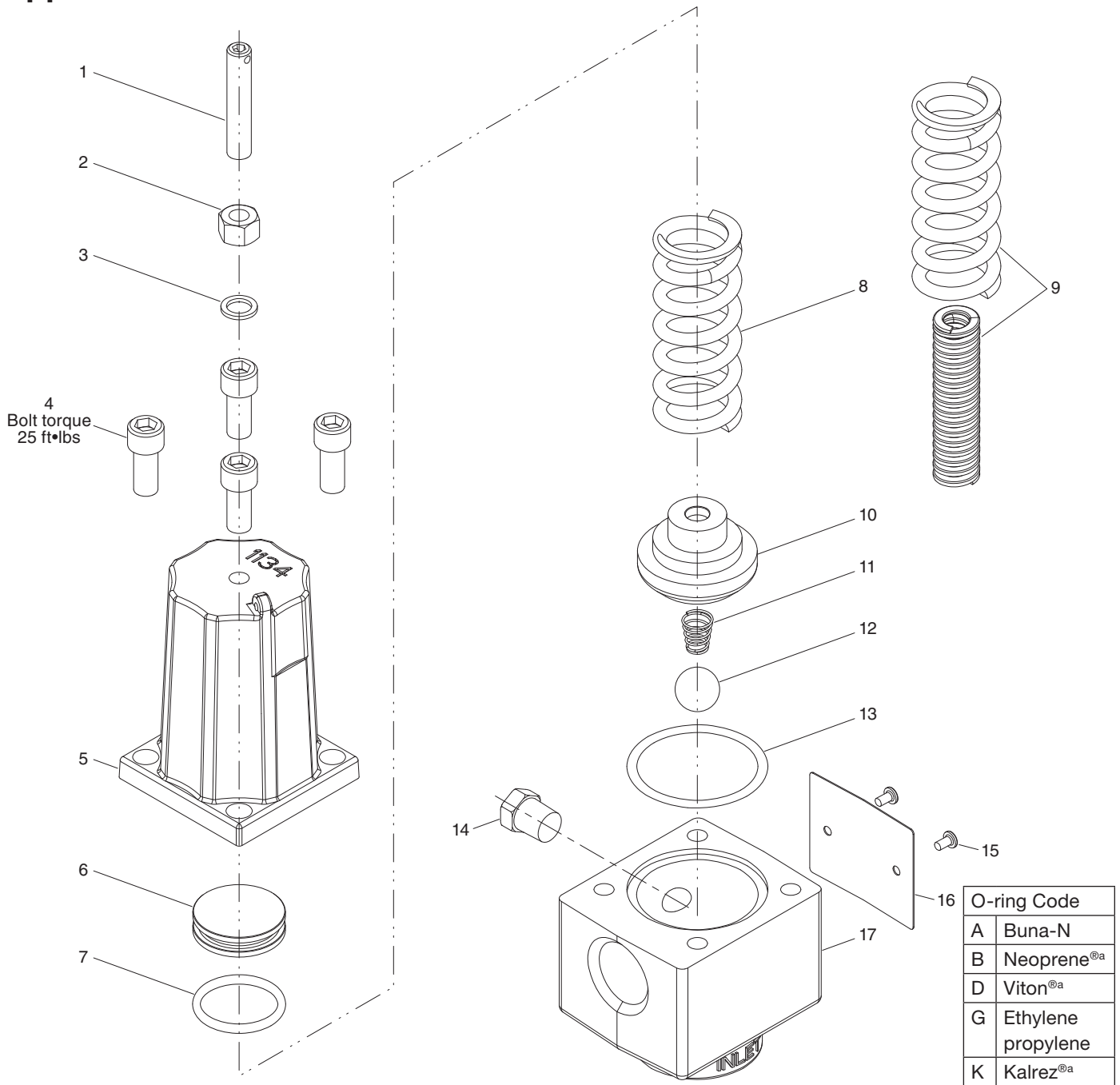


Appendix E—Parts Details for Models B166B-.75 and B166B-1



Ref. No.	Part No.	Description	Qty
1.	2911	Adjusting screw	1
2.	7101-037NC01A	Hex nut	1
3.	2732	Center head bolt gasket	1
4.	7002-037NC087A	Socket head bolt	4
5.	1134	Bonnet	1
6.	1136	Spring seal	1
7.	2-217 ^b	O-ring	1
8.	1138	Relief spring (25–60 psi)	1
	1193	Relief spring (50–150 psi)	1
9.	1193	Relief springs (100–225 psi)	1
	1313		1
10.	1251	Valve	1

Ref. No.	Part No.	Description	Qty
11.	1139	Ball spring (standard)	1
	2035 ^c	Ball spring (heavy duty)	
12.	1137	Ball	1
13.	2-224 ^b	O-ring	1
14.	3442	Pipe plug	1
15.	7012-006SF025C	Pan HD phillip 6-32 x 1/4"-Type F SS	2
16.	2030	Nameplate	1
17.	1200	3/4" Body (B166B-.75)	1
	1200-1	1" Body (B166B-1)	1

^aRegistered trademark of the DuPont company.

^b_ denotes O-ring code. See chart above.

^cUsed with relief springs 1193 and 1313 (100–225 psi).