

(214) 357-4591

DALLAS TEXAS

(800) 345-8105

MANUFACTURED BY PARKER PGI

Installation, Operation & Maintenance Instructions for the A480 Series of NH₃ Liquid Angle Tank Valves

January 2013

Form FVC 074 - Rev 05

IMPORTANT: KEEP THIS DOCUMENT WITH THE PRODUCT UNTIL IT REACHES THE END USER.

WARNING!

1. Contact with or inhalation of Liquid Anhydrous Ammonia (NH₃) or of LP Gas, can cause SERIOUS INJURY OR DEATH.
2. Before installation or removal of any tank valve, the system must be purged of all product.
3. Personal Protective Equipment (PPE), safety gloves, goggles and clothing should be worn.
4. For proper handling and storage of NH₃ and Liquefied Petroleum Gas, refer to ANSI Standard K61.1. and NFPA Pamphlet 58.
5. An abundant supply of fresh water should be available to provide immediate first aid treatment for exposure to NH₃ and LP Gas.
6. To prevent the accidental opening of any valve, never grasp or carry a valve by its Hand wheel ① or handle.
7. To ensure a long term and safe operation, the manufacturer recommends that under normal service conditions this product should be inspected at least once every year and be repaired or replaced as required.

TOOLS REQUIRED: Safety Equipment (i.e. Gloves, Goggles, and Clothing), 12" Adjustable Wrench, 1/4" Diameter Drift Pin, small Ball Peen Hammer, 7/16" Open-End or Boxed-End Wrench, and Torque Wrench.

WARNING!

1. **Closure of the excess flow check in the valve will not totally stop the flow of NH₃** since the check disk has a small opening in it to allow the check disk to automatically reset.
2. **The Excess flow safety device used in this product will close ONLY if the rated flow rate is achieved through the valve.**
3. **Downstream restrictions, partial breaks and/or low tank pressure can result in failure to achieve the excess flow rate and the excess flow check WILL NOT CLOSE.**
4. **Connecting two withdrawal valves to one tank will reduce the flow through each valve by approximately 50% thereby affecting the ability of the excess flow valves to close with multiple hose failures. Also, piping should not allow one withdrawal valve to "back feed" the other. Appropriately located back checks must be installed.**
5. **The operation of the excess flow device should be tested before every season.**

NOTE: The A480-60 Excess Flow will close at approximately 60 GPM of NH₃. Indicated on the information disc ⑨
The A480-45 Excess Flow will close at approximately 45 GPM of NH₃. Indicated on the information disc ⑨
The 60 GPM and 45 GPM excess flow offering gives the user a choice to match the excess flow setting as close as possible to the maximum expected NH₃ flow rate to be used.
For example, if 30 GPM of NH₃ is the highest flow rate the application will use, then choose the A480-45 (45 GPM NH₃).

INSTALLATION / REMOVAL

1. To prevent unexpected pressure buildup in the system, always keep the Valve Handle in the OPEN POSITION during installation or removal.
2. Before installation or after removal, check the Excess Flow Disk for free operation between FULLY CLOSED & FULLY OPEN.
3. Make sure the Excess Flow Stem is not bent. Replace the Valve if it is bent.
4. Inspect the Valve Seat for hardening or cracking and replace if either is observed.

OPERATION

1. Open the Valve slowly to avoid the Excess Flow Check from closing. If it does, you will hear a "click" and flow will be slowed to a very small amount.
2. If the Excess Flow Disk is tripped, close the Valve. This will allow the Excess Flow Check to reset automatically, then you may try again to open the valve slowly.
3. During storage, temperature changes can cause the Valve to "seep" so periodic inspection and retightening may be required.
4. During long-term storage, the Valve outlet may be capped to prevent seepage issues.

TESTING THE EXCESS FLOW SHUT-OFF

1. Connect a test hose to the nurse tank. The test hose should be the same length and size as the normal hose used in the field and have a ball valve at the far end, followed by a bleeding system that can be submerged in water without restricting FULL OPEN flow.
NOTE: This test should be conducted at tank pressures representative of the lowest application tank pressure.
2. Close the ball valve, open the withdrawal valve, submerge the bleed system at least 12 inches deep in the water, crack open ball valve for 10 seconds to fill hose with liquid, shut ball valve, then quickly open the ball valve FULL OPEN.
3. After a brief burst of flow, the Excess Flow Device should close, then the flow should be reduced to a small amount. After flow has reduced, close the withdrawal valve then the test hose may be bled down safely and removed from the withdrawal valve.
WARNING: If the excess flow did not close, then use a valve with a LOWER excess flow rate.

While this information is presented in good faith and believed to be accurate, Individuals using this literature must exercise their independent judgment in evaluating product selection and determining product appropriateness for their particular purpose, system requirements and certifications. The manufacturer reserves the right to change product designs and specifications without notice.

DISASSEMBLE PROCEDURE FOR REPAIR

With the Valve secured in a bench-mounted vise, remove the Bonnet ⑤ from the Body ②, which will expose the complete Bonnet ⑤ and Stem Assembly. NOTE: It is important to inspect the Disk Holder ⑱ rotation. If it does not rotate freely, do not return the Valve to service, but consult your local dealer for instructions. Remove the old O-Ring ④.

1. Now secure the Bonnet ⑤ in the vise and remove the Hand wheel Nut ⑬ and the Disc Nut ⑳.
2. Remove the Disc Washer ㉑, the Disk ㉒, the Washer ⑫ and the Hand wheel ⑪.
3. Remove the Packing Nut ⑧, the Chevron Packing ⑯, the Male Adapter ⑰, the ID Tag ⑲ and the Packing Spring ⑥ over the end of the Stem ⑩.
4. Rotate the Stem ⑩ clockwise, using the Hand wheel ⑪ if necessary, until the Stem ⑩ is disengaged from the Bonnet ⑤. Remove the old Gasket ⑦.
5. Before re-assembly, clean and inspect the Valve Seat. Clean all metal components with a solvent and wipe or blow dry with air.

WARNING!

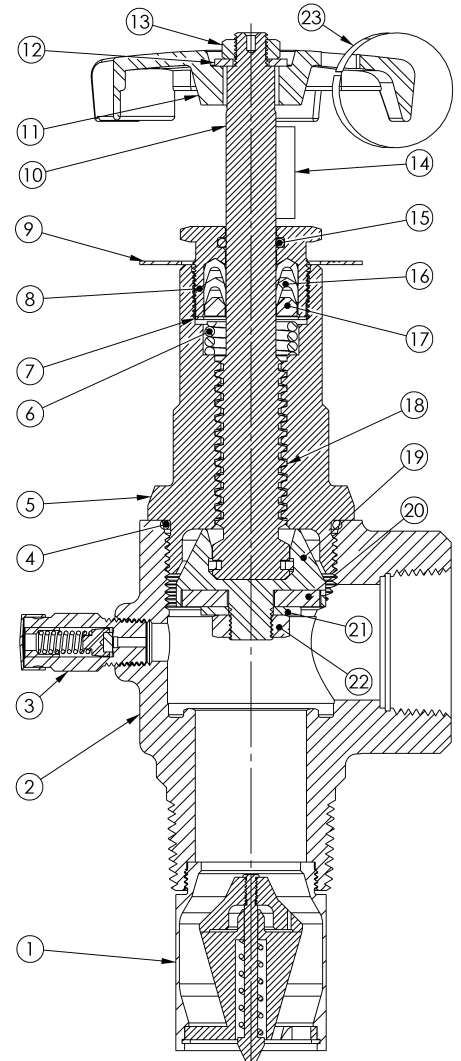
The Excess Flow Rating is marked on the ID Tag so the tag must stay with the original Valve Body and Excess Flow.

ASSEMBLY PROCEDURE

The degree of assembly depends upon the type of repair to be performed.

1. Install the Disk ㉒, the Disc Washer ㉑ and the Disc Nut ㉓ to the Disk Holder ⑱. Secure the Disc Nut ㉓ to the threads of the Disk Holder ⑱ with a center-punch mark at the thread interface.
2. Lubricate the Stem threads ⑮ with a good quality grease and install the Stem ⑩ into the Bonnet ⑤ until the Disk Holder ⑱ rests against the bottom of the Bonnet ⑤.
3. With the Bonnet ⑤ and the Stem Assembly secured in a bench-mounted vise, install the
4. Replace the O-Ring ⑮ in the groove of the Packing Nut ⑧.
5. Install the Chevron Packing ⑯ and the Male Adapter ⑰ into Packing Nut ⑧.
6. Lubricate the exposed surface of the Stem ⑩ with John Crane Style 279A Packing Lubricant or equivalent.
7. Place the Packing Nut ⑧ (with the packing in place) over the Stem ⑩ and engage the Bonnet threads. Tighten the Packing Nut with a torque wrench to 55 ft.-lbs.
8. Secure the Body ② in the vise. Place the Body O-Ring ④ over the bonnet threads and lubricate the threads with a good quality grease.
9. Install Bonnet Assembly into the Body and tighten with a torque wrench to 95 ft.-lbs.
10. Install the Hand wheel ⑪ install Washer ⑫ and tighten the Hand wheel Nut ⑬ onto the Stem ⑩.
11. Check the Stem Packing and Valve Seat for leaks. Operate the Hand wheel ⑪ to FULL OPEN and to FULL CLOSED to ensure smooth operation.

Gasket ⑦ and the Packing Spring ⑥.

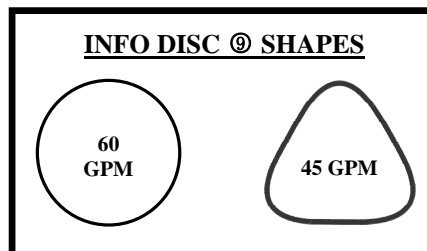


NO.	Part NO.	DESCRIPTION	QTY.
1	X	EXCESS FLOW ASSY	1
2	X	VALVE BODY	1
3	1327-1001	HYDROSTAT ASSEMBLY 350 PSI	1
4	P5-938-R0	O-RING	1
5	480-5002	BONNET	1
6	312-2019	SPRING	1
7	312-2016	GASKET	1
8	312-2017	PACKING NUT	1
9	X	INFORMATION DISC	1
10	480-5003	STEM	1
11	479-5013	HAND WHEEL	1
12	312-2014	WASHER	1
13	312-2015	HANDWHEEL NUT	1
14	X	EXPOSED SURFACE OF THE STEM	1
15	312-2020	O-RING	1
16	312-2005	CHEVRON PACKING	2
17	312-5006	MALE ADAPTER	1
18	X	STEM THREADS	1
19	480-5004	DISC HOLDER	1
20	312-3009	DISC	1
21	312-5010	DISC WASHER	1
22	312-2011	DISC NUT	1
23	308-2021	HANDLE WARNING STICKER	1

AVAILABLE KITS

NUMBER	NAME & PARTS INCLUDED	ASSEMBLY PART NUMBERS
480-0022	SEAL KIT	④ ⑦ ⑮ ⑰ ⑳
S481-1100	STEM & DISC	⑩ ⑱ ㉒ ㉓

INFO DISC ⑨ SHAPES



While this information is presented in good faith and believed to be accurate, Individuals using this literature must exercise their independent judgment in evaluating product selection and determining product appropriateness for their particular purpose, system requirements and certifications. The manufacturer reserves the right to change product designs and specifications without notice.