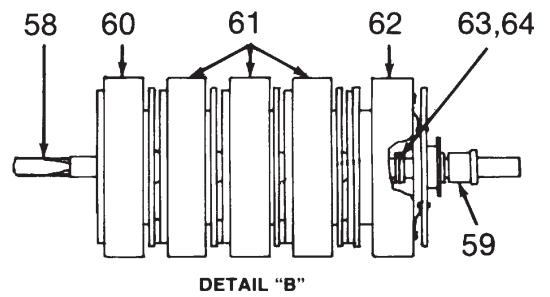
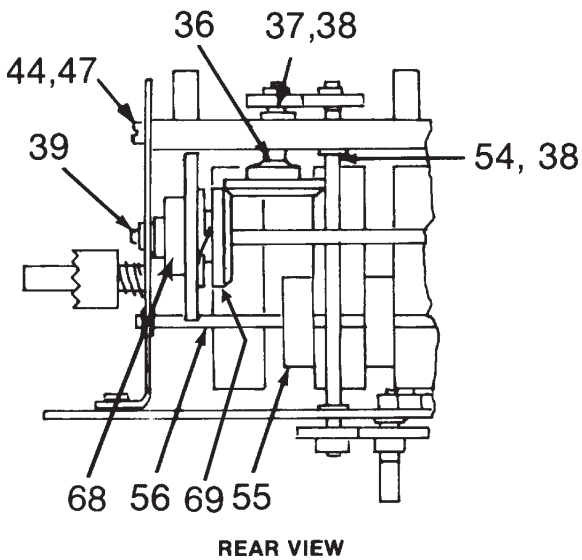
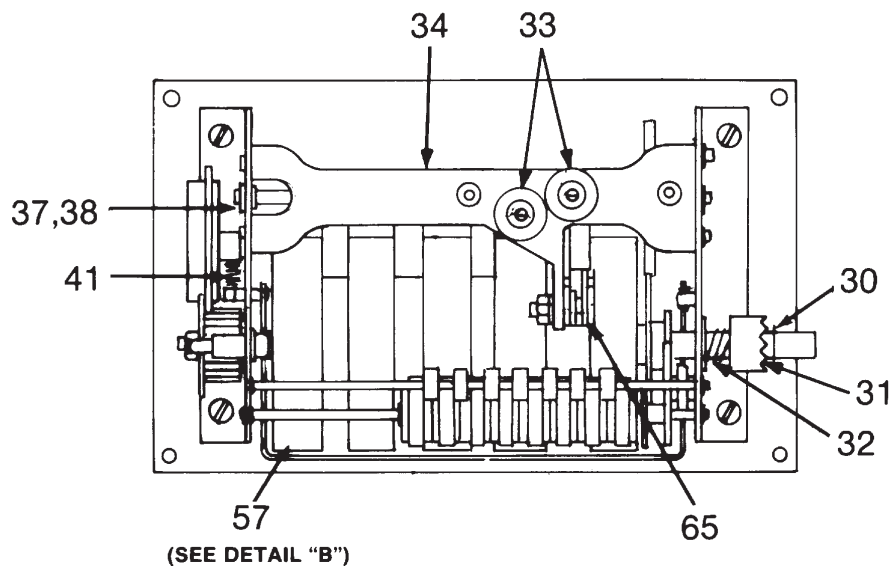
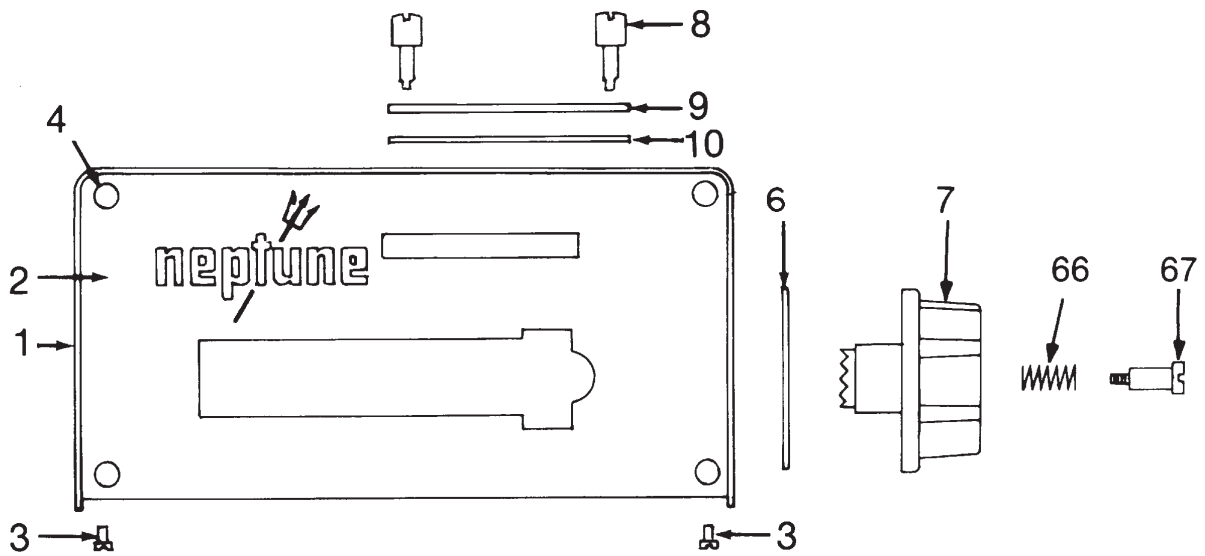


P-390
Rev. G
1" Auto Stop Valve
Bronze and Stainless Steel

RED SEAL MEASUREMENT

neptune 600 Series Register Parts List

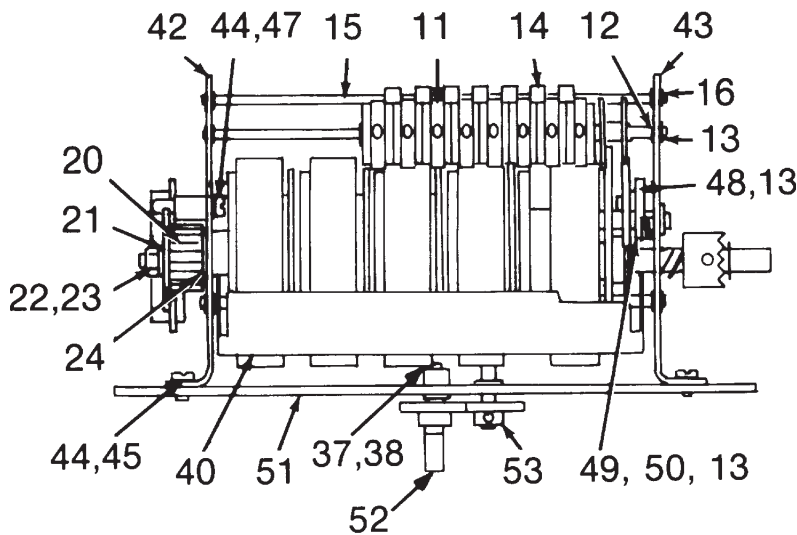
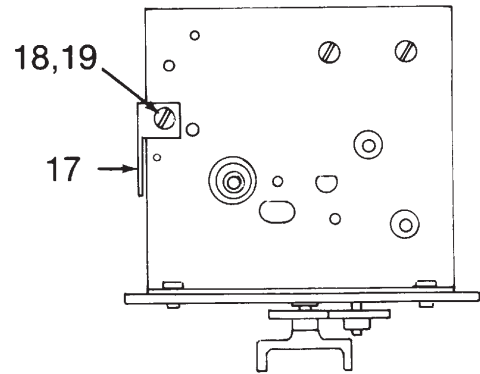
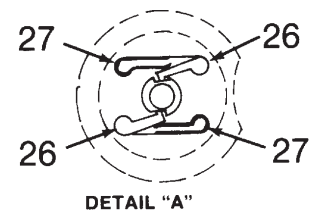
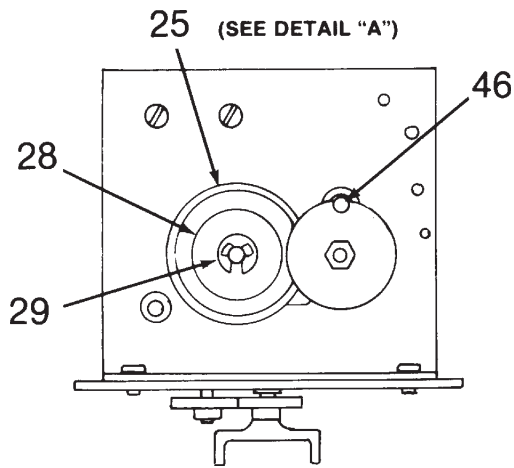




600 SERIES REGISTER

Index	Part No.	Description	Used On	Index	Part No.	Description	Used On
	100498-001	Register Complete, Gal. Tenths	AAAAA				CDCAF
	100498-002	Gal, Units	ABAAA	40	100482-001	Shutter	All
	100498-003	Lbs, units	BBAAA	41	100472-001	Spring, Extension	All
	100498-005	Litres, Units	CBAAA	42	100489-001	Sideplate Assy, Left	All
	100498-007	Kg, Units	FBAAA	43	100488-001	Sideplate Assy, Right	All
	100498-009	Gal, Quad Zero	AEAAD	44	100122-007	Washer, Lock, Internal Tooth No. 10	All
	100498-010	Litres, Units w/Tenths Grads	CDAAD	45	2023-001	Screw, 10-32 x 1/4 fil hd st	All
	100498-011	Gal, Quad Zero for 3/4" ATC	AEAAF	46	100877-001	Stud, Anti-Reset	All
	100498-012	Litres, Hundredths, Two Way Drive	CFCAD	47	88524-000	Screw, 10-32 x 3/8	All
	100498-013	Litres, Units w/Tenths, Two Way Drive for 3/4" ATC	CDCAF	48	88516-001	Ratchet Wheel and Gear Assy (36-tooth)	All
	100498-014	Gal, Tenths, Two Way Drive	AACAA	49	88988-000	Pawl, Non-Reverse	All
	100498-015	Litres, Units w/Tenths, for 3/4" ATC	CDAAF	50	600165-000	Spring, Pawl	All
	100498-016	Gal, Tenths	AAAAAD	51	100493-001	Bottom Plate Assy	All
	100498-018	Gal, Tenths for 1" w/ATC	AAAAAF				except AAAAF,
1	100476-001	Housing Complete	All				AEAAF,
2	100553-201	Mask, Gallons	AAAAA, ABAAA, AEAAD, AEAAF		100493-002	Bottom Plate Assy for ATC	CDCAF AEAAF, CDCAF
	100553-202	Pounds	BBAAA				
	100553-203	Litres	CBAAA, CDAAD, CDCAF	52	100494-001	Shaft Assy, Input	All except AEAAD, CDAAD,
	100553-204	Litres, Fixed "O"	CCAAA				AAAAF,
	100553-205	Pounds, Fixed "O"	BCAAA				AEAAF,
	100553-206	Kilograms	FBAAA				CDCAF
	100553-207	Litres, Hundredths	CFCAD				
3	8328-014	Screw, No. 6 Self Tapping	All		100494-002	Shaft Assy, Input	AEAAD, CDAAD,
4	101328-001	Single Head Clip	All				CFCAD
6	100481-001	Seal Reset Knob	All				
7	101043-001	Knob, Reset	All	53	100495-001	Gear, 32-tooth with setscrew	All
8	9287-003	Screw, Register Box	All				AEAAF,
9	100735-001	Plate, C/G Cover	All				CDCAF
10	100734-001	Gasket, C/G Cover	All, AAAAAD AAAAAF		101071-001	Gear, 35-tooth with setscrew	AEAAF, AAAAF, CDCAF
	100457-004	Totalizer Wheel Bank Comp, Tenths	AAAAA	54	100466-002	Shaft, Vertical Input	All
	100457-005	Totalizer Wheel Bank Comp, Units	ABAAA, BBAAA, BCAAA, CCAAA, CDAAD, FBAAA, CBAAA, CFCAD, CDCAF	55	88361-002	Pinion, 8-tooth Celcon	All
			AEAAD, AEAAF	56	100468-001	Shaft, Pinion	All
				57	100343-029	Wheel Bank Complete, Tenths	AAAAA, AAAAAD, AAAAAF
	100457-006	Totalizer Wheel Bank Comp, Quad Zero	AEAAD, AEAAF		100343-005	Wheel Bank Complete, Units	ABAAA, BBAAA, CBAAA, FBAAA
12	45779-000	Shim, 0.0056 Thk	All		100343-030	Wheel Bank Complete, Quad Zero	AEAAF AEAAD
13	88461-000	Ring, Retainer	All		100343-031	Wheel Bank Complete, Hundredths	CFCAD
14	1228-000	Pinion, Totalizer, 8-tooth	All		100343-054	Wheel Bank Complete Units w/Tenths	CDCAF CDAAD
15	100469-001	Shaft, Totalizer Pinion	All				
16	88460-000	Ring, Retainer	All	58	100455-001	Shaft, Numeral Wheel	All
17	100483-001	Indicator	All	59	88749-000	Sleeve, Drive Gear	All
18	41765-000	Screw, No. 6 x 3/16 Bind. hd	All	60	100342-001	Register Wheel, No. 5	All
19	8566-003	Washer, Flat	All	61	100341-001	Register Wheel, Nos. 2, 3 & 4	All
20	88197-002	Gear, Reset (18-tooth)	All	62	100339-029	Register Wheel, No. 1, Tenths	AAAAA
21	100474-001	Plate, Hold-out	All		100339-005	Register Wheel, No. 1, Units	ABAAA, BBAAA, CBAAA, FBAAA
22	601051-001	Belleville Washer Spring	All				
23	41981-000	Nut, 1/4-28 (left-hand)	All				
24	8571-009	Washer, Flat	All				
25	100452-001	Gear, Reset (36-tooth)	All				
26	88359-100	Pawl, Reset	All		100339-030	Register Wheel, No. 1, Quad Zero	AEAAD, AEAAF
27	88223-000	Spring, Reset	All				
28	100473-001	Plate Cover	All		100339-031	Register Wheel, No. 1, Hundredths	CFCAD
29	88463-000	Ring, Retainer	All		100339-054	Register Wheel, No. 1, Units w/Tenths	CDAAD CDCAF
30	8579-027	Ring, Retainer	All				
31	100894-002	Reset Hub Assy	All	63	88319-001	Washer, Plain	All
32	100024-004	Spring Compression	All	64	88320-000	Washer, Snap	All
33	81230-X	Change Gear (Give No. of teeth)*	All	65	100344-002	Zero Stop Pawl Assy	CDAAD
34	100490-002	Gearplate Assy	All				AAAAAD, AAAAAF,
36	100492-002	Shaft Assy, Intermediate	All				CFCAD,
37	88462-000	Ring, Retainer	All				AEAAF, CDCAF,
38	46652-001	Shim, 3/8 OD, 0.1985 ID	All				AEAAD
39	100464-001	Shaft Assy, One-Way Drive	All				
			except CFCAD, CDCAF	66	100024-006	Spring Compression	All
	100464-003	Shaft Assy, Two-Way Drive	CDCAD	67	101045-001	Screw, Reset Knob	All
				68	100451-001	Gear, 48T and 24T ratchet With Cam	All
				69	100471-001	Gear, Bevel/Clutch Assy	All

*See Change Gear Selection System: "TSG310"



Units of Measure (1st Key Letter)

- A Gallons
- B Pounds
- C Litres
- D Litres/Fixed "0"
- E Pounds/Fixed "0"
- F Kilograms

Register Unit (2nd Key Letter)

- A Tenths Wheel
- B Units Wheel
- C Double Digit Wheel
- D Units w/Tenths Grads
- E Quadruple Zero
- F Tenths w/Hundreths Grads

Base (3rd Key Letter)

- A Standard Rotation (CCW, Viewed From Top)
- B Reverse Rotation (CW, Viewed From Top)
- C Two-Way Drive

Housing (4th Key Letter)

- A Standard housing

Special Features (5th Key Letter)

- A None
- C Internal Pulser
- D Weights & Measures Type
- F 3/4" 4D and 1" 4D-MD w/ATC
- G Special Gear Reduction on Bottom Plate for Litres on Oval Wheel Meter

U.S.A./International
1310 Emerald Road
Greenwood, SC 29646
Tel.: Toll-Free (800) 833-3357
(864) 223-1212
Fax: (864) 223-0341

© 2013

Specifications subject to change without prior notification.

RED SEAL
MEASUREMENT