

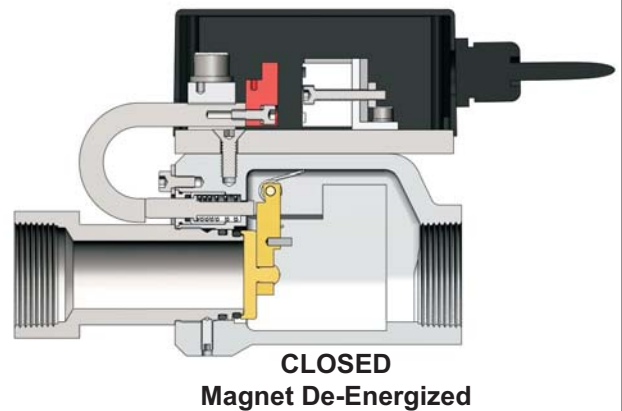
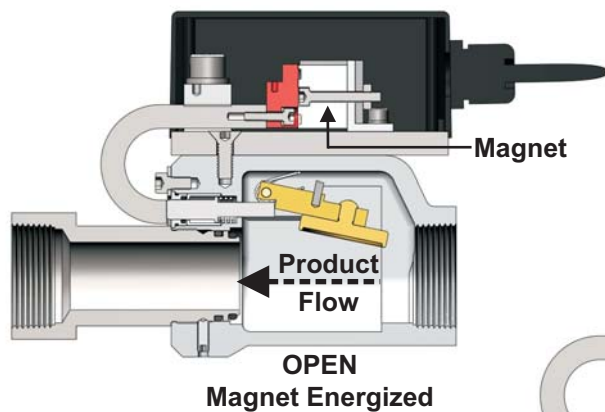
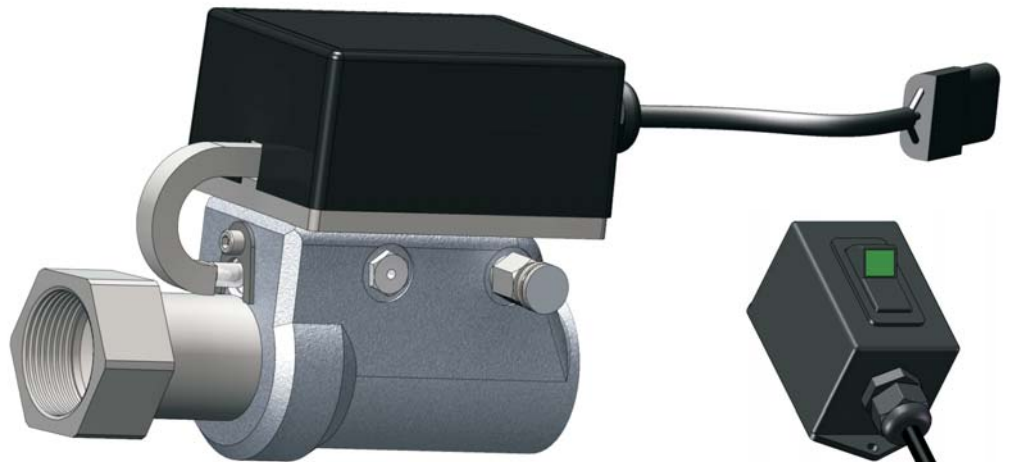
Flo-Safe III™

**The Next
Generation
in NH₃ Safety!**

**Passive or Remote Shut-Off
At The Nurse Tank!**

FEATURES

- Mounts on the Nurse Tank
- Fail Safe Design: Any Loss of Power Closes the Valve
- Passive Shut-Off in a Pull-Away
- Remote Shut-Off from the Cab
- Optional "On Tool Bar" Remote Shut-Off
- Virtually No Flow Restriction
- Available in 1-1/4" or 1-1/2" Sizes



**AVAILABLE
MARCH 2011!**



MANUFACTURED BY PGI INTERNATIONAL

214.357.4591 800.345.8105
www.squibbtaylor.com

Patent Pending