



Installation or Removal of Models 106-1000, 108-1000 and 110-1000 RotaSeal Swivels

June 2000

Form FVC ROTA

KEEP THIS DOCUMENT WITH THE PRODUCT UNTIL IT REACHES THE END USER.

WARNING

Before installation or removal of RotaSeal Swivels, the system must be purged completely of all product. Use proper safety equipment at all times. An abundant supply of clean water must be readily available and easily accessible as a means of providing IMMEDIATE First Aid treatment for exposure to Anhydrous Ammonia. For LP-Gas Service, follow NFPA / ANSI 58 Standard for the Storage and Handling of Liquefied Petroleum Gases, plus all Local and State Safety Regulations.

USE PROPER SAFETY EQUIPMENT AT ALL TIMES. PURGE THE SYSTEM COMPLETELY OF ALL PRODUCT.

CAUTION: Contact with or inhalation of Liquid Anhydrous Ammonia or LP-Gas or their vapors can cause serious injury or death. Dispersment must be in accordance with local regulations. For the proper handling and storage of Anhydrous Ammonia refer to ANSI Standard K61.1. For the proper handling and storage of Liquefied Petroleum Gas refer to NFPA Pamphlet 58.

TOOLS REQUIRED: Safety equipment (i.e. gloves goggles, clothing), 18" Adjustable Wrench and a 14" Pipe Wrench.

Installation of New RotaSeal Swivel

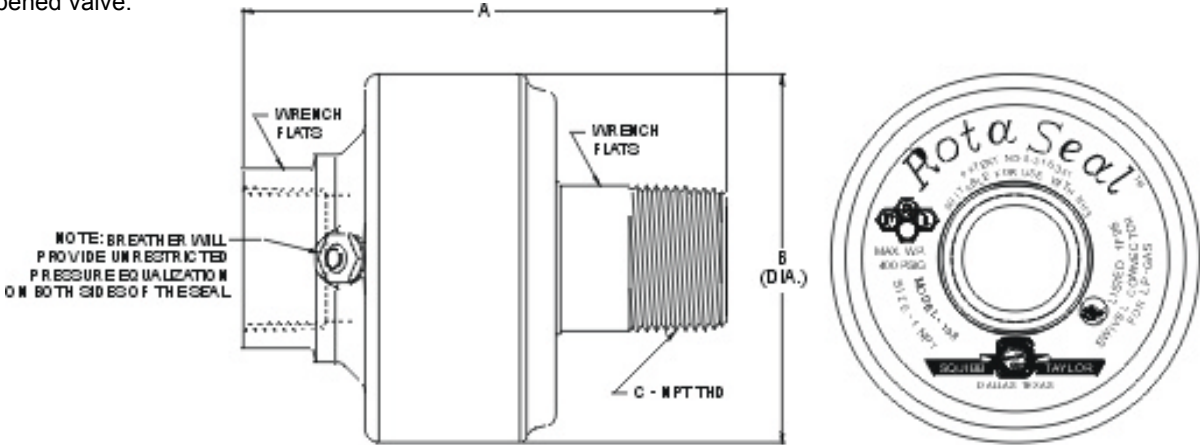
Step 1: Apply Teflon tape or sealant on male pipe threads of mating parts. Install RotaSeal at hose end connections, valves, or system piping taking caution to not overtighten. Wrench flats are provided on both ends of swivel.

Removal of RotaSeal Swivel from Service

Step 1: Safety equipment (i.e. gloves, goggles, and clothing) must be worn before continuing with the next step.
 Step 2: Before removing RotaSeal, ensure all pressure is bled from system. Wrench flats are provided on both ends of swivel.

Operation Recommendations

Although RotaSeal Swivels have a rugged design to withstand rough handling, it is recommended that when used with hoses and hose end valves, that dragging across rough surfaces be avoided. This will prevent possible damage to hoses and/or valves, or accidental discharge of product from a partially opened valve.



MODEL NO.	A	B	C
106-1000	4 3/16	2 15/16	3/4" M X F
108-1000	4 3/8	3 11/32	1" M X F
110-1000	5 3/4	4 7/8	1-1/4" M X F