

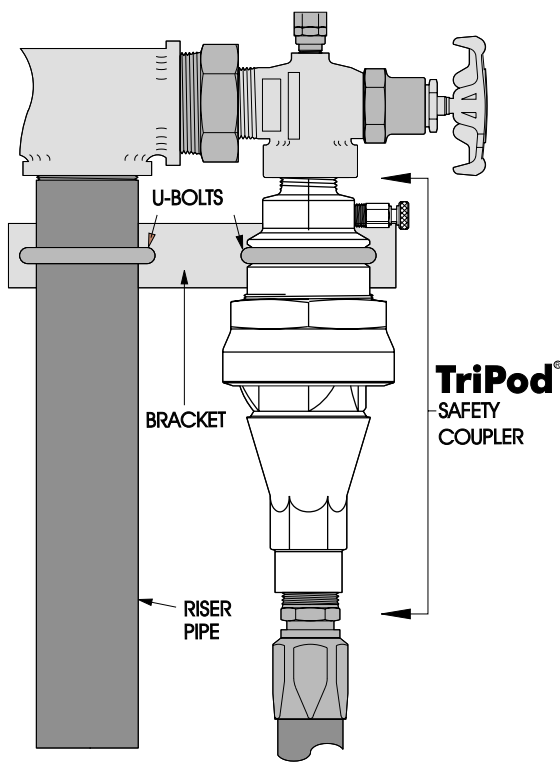
Why wait for mandates?

A Pull-Away Accident During Nurse Tank Loading Is The Single Greatest Danger of NH₃ Use.

A Large NH₃ Release Will Endanger Your Employees, Your Customers And The Community You Service.

Reduce Your Risk And Join The Thousands Of NH₃ Dealers & Distributors That Have Installed "*The Best Pull-Away Protection Available.*"

TriPod® Safety Coupler



- UNCONDITIONAL 5 YEAR WARRANTY
- Prevents Damage to Anhydrous Riser or Nurse Tank
- Available in 55, 77 and 126 GPM Sizes
- Modifications to Riser Piping Typically Not Required
- Easily Reconnected After Pull-Away
- All Stainless Steel Construction Eliminates Corrosion
- Teflon® Poppet Seats Impervious to N-Serve Additives
- TriPod Release Mechanism Totally Unaffected by Wind Blown Dust and Dirt



214-357-4591 800-345-8105

Also available from Squibb-Taylor . . .

Tool Bar TriPod®

The dependable TriPod Tool Bar Safety Coupler is designed to provide pull-away protection for the anhydrous nurse tank hose. Its' non-destructive releasing mechanism will operate reliably in a nurse tank pull-away to protect you and your employees.

UNCONDITIONAL 5 YEAR WARRANTY WITH NO REQUIRED REPLACEMENT DATE

