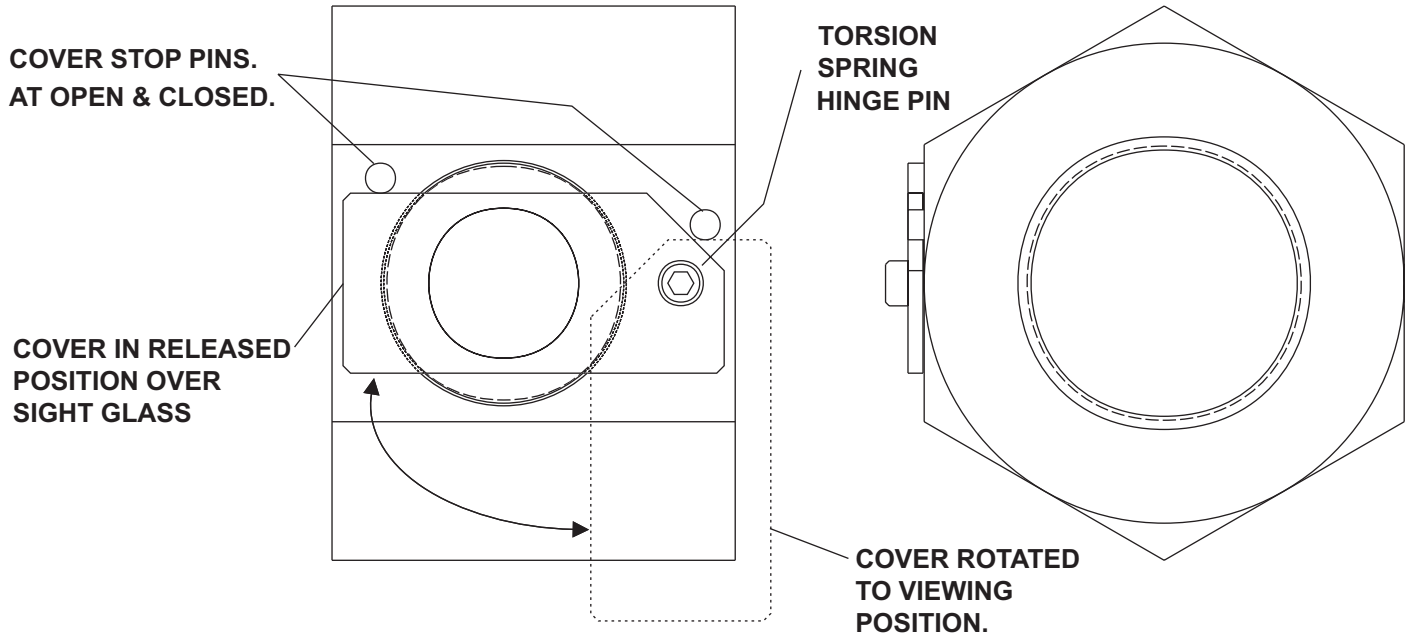


Sight Glass Safety Fitting

Always "Inspect What You Expect"

The Squibb-Taylor Safety Fitting was designed to do just that!



INSPECT INLINE BACK CHECKS AND EXCESS FLOW VALVES WHILE PRODUCT IS FLOWING.

FEATURES

- Tempered Lime Glass For Maximum Strength
- Underwriters Lab (UL) Tested to 2,000 PSIG
- Spring Return Sight Glass Cover (Always covers sight glass when released)
- Field Replaceable Sight Glass
- 2" FNPT and 3" FNPT Fittings Available
- Same Flow Rate as Standard Coupling



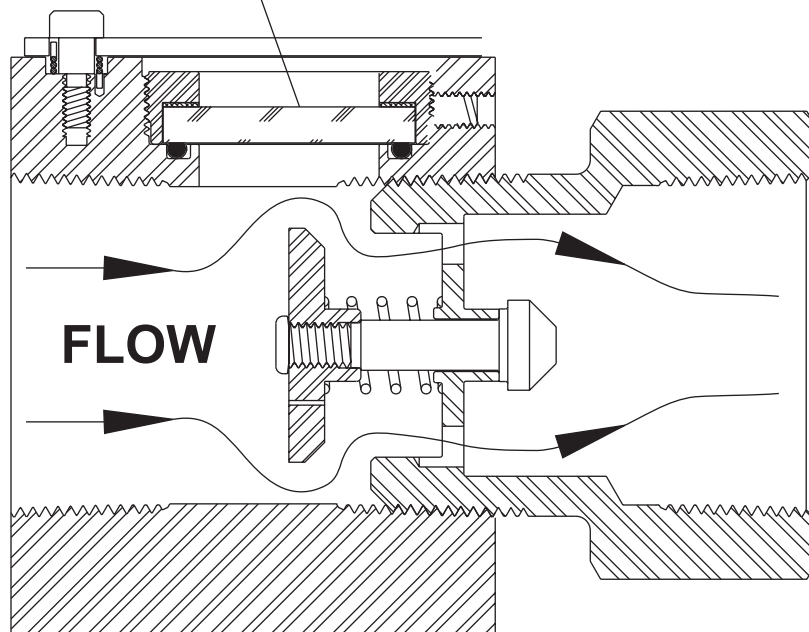
MANUFACTURED BY PGI INTERNATIONAL

214.357.4591
800.345.8105

squibb@squibbtaylor.com

SIGHT GLASS

TYPICAL EXCESS FLOW VALVE



TWO SIZES ARE AVAILABLE:

-MODEL AL1742 - 2" NPT SIZE

-MODEL AL1743 - 3" NPT SIZE

SIGHT GLASS

TYPICAL BACK CHECK

