

RotaSeal™

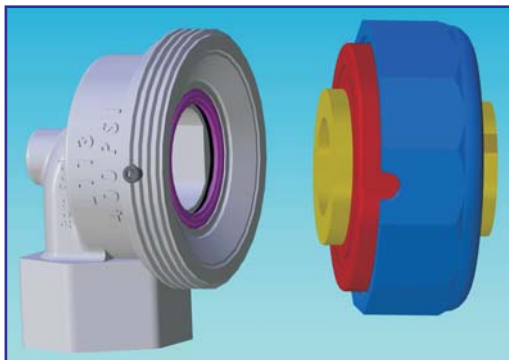
Reel Swivel

Why use an expensive and fragile seal technology originally designed for high speed pumps?!

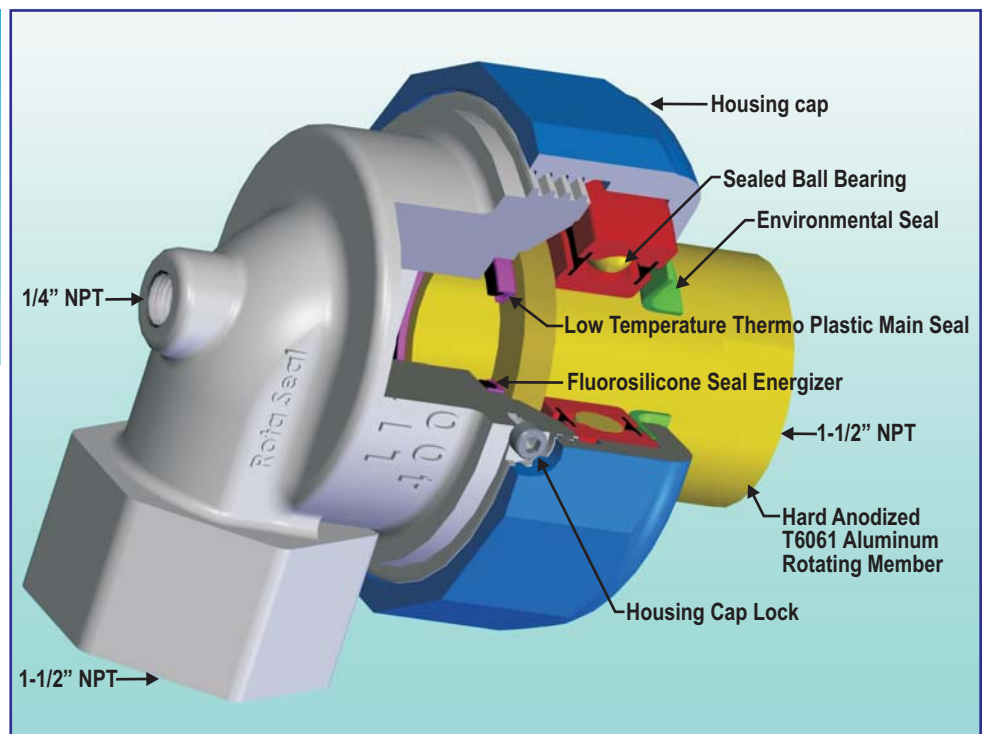
The Reel Swivel will not rust in the off-season or crack if shocked. It was designed for one thing - Bobtail Reel Service.

UL Listed, Standard Industry Dimensions, Rugged, Never Requires Lubrication, and if ever required, the seal kit is inexpensive and easy to replace *on the vehicle!*

You owe it to yourself to have a RotaSeal on your Bobtail!



Easy seal access without disconnecting from the reel or piping.



MANUFACTURED BY PGI INTERNATIONAL

214.357.4591 800.345.8105
www.squibbtaylor.com